

THIS DRAWING IS UNPUBLISHED.

RELEASED FOR PUBLICATION 20

© COPYRIGHT 20

ALL RIGHTS RESERVED.


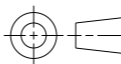
REVISIONS

P	LTR	DESCRIPTION	DATE	DWN	APVD
	B1	MATCH PROD REVISION	05OCT2012	DW	GG
	B2	ADD 2- -1 AND 2- -2 ASSY	18APR2017	JPS	JLM
	B3	REMOVE -21 AND -22 ASSY'S	28APR2017	JPS	JLM
	F	REVISED PER ECO-17-014200	26SEP2017	JPS	JLM

NOTES: UNLESS OTHERWISE SPECIFIED.

- 1. MINI COAX CABLE DIAMETER 1.13 mm TERMINATED WITH U.FL CONNECTOR OR MHF4L SEE TABLE.
- 2. PRODUCT AND PROCESSING MEETS REQUIREMENTS OF TE CONNECTIVITY ENVIROMENTAL STANDARD TEC-138-702.
- 3. 4 DIGIT DATE CODE
- 4. FOR DESIGNS UTILIZING 1513472-1 OR 1513472-5 PLEASE SEE TYCO ELECTRONICS DSI513472-1 OR DSI513472-5 RESPECTIVELY.
- 5. FOAM LOCATED INTERNAL ABOVE ANTENNA ELEMENT.

-	-	600±5.0	BLACK	UAM W MHF4L	2-1513472-3
-	-	210±5.0	BLACK	UAM W MHF4L	2-1513472-0
-	-	75±5.0	GRAY	UAM W MHF4L	1-1513472-9
-	-	210±5.0	BLACK	UAM W U.FL	1-1513472-8
5	5	360±5.0	BLACK	UAM W U.FL+FOAM	1-1513472-7
5	-	250±5.0	BLACK	UAM W U.FL+FOAM	1-1513472-6
-	-	270±5.0	BLACK	UAM W MHF4L	1-1513472-5
-	-	130±5.0	GRAY	UAM W MHF4L	1-1513472-4
-	-	360±5.0	BLACK	UAM W MHF4L	1-1513472-3
-	-	80±5.0	BLACK	UAM W U.FL	1-1513472-2
-	-	345±5.0	BLACK	UAM W U.FL W PROT-TUBE	1-1513472-0
-	-	235±5.0	WHITE	UAM W U.FL	1513472-9
-	-	250±5.0	BLACK	UAM W U.FL	1513472-8
-	X	590±10.0	BLACK	UAM W U.FL+HS SHEET3	1513472-7
-	-	265±5.0	BLACK	UAM W U.FL	1513472-6
-	-	360±5.0	BLACK	UAM W U.FL	1513472-5
-	-	595±5.0	BLACK	UAM W U.FL	1513472-1
FOAM	HEAT SHRINK	CABLE LENGTH "A"	CABLE COLOR	DESCRIPTION CONNECTOR	PART NUMBER

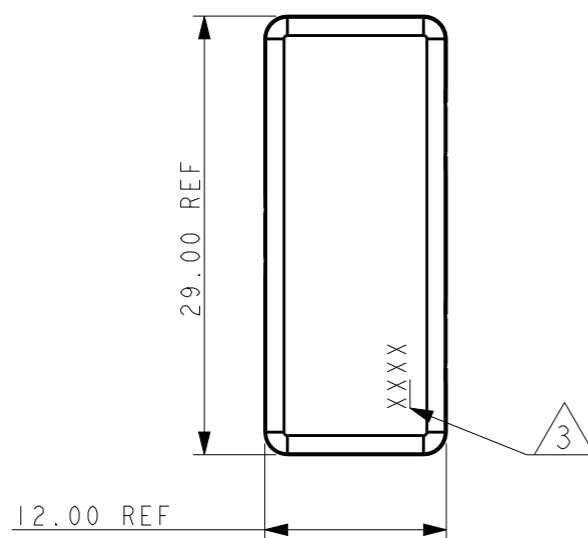
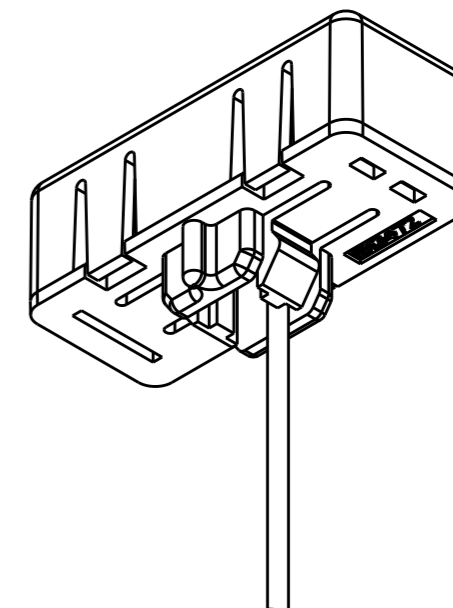
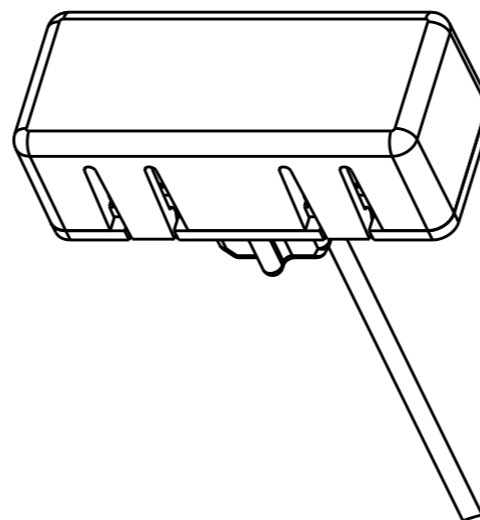
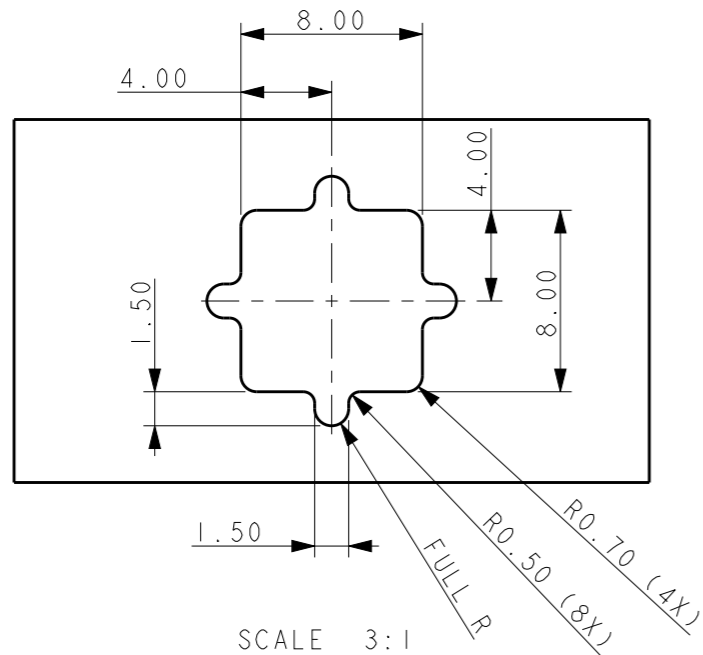
THIS DRAWING IS A CONTROLLED DOCUMENT.		DWN APV	25FEB2009		 TE Connectivity	
DIMENSIONS: mm		CHK	-			NAME UNIVERSAL ANTENNA MODULE (UAM) WLAN
		APVD	-			
TOLERANCES UNLESS OTHERWISE SPECIFIED: 0 PLC ±- 1 PLC ±- 2 PLC ±- 3 PLC ±- 4 PLC ±- ANGLES ±-		PRODUCT SPEC	-			
MATERIAL		APPLICATION SPEC	-		SIZE A3	
FINISH		WEIGHT	-		CAGE CODE 00779	
-		CUSTOMER DRAWING		DRAWING NO 1513472	RESTRICTED TO -	
-		SCALE		1:1	SHEET 1 OF 3	
-		REV		F		

REVISIONS

P	LTR	DESCRIPTION	DATE	DWN	APVD
-	-	SEE SHEET 1	-	-	-

PANEL CUTOUT DIMENSIONS

(Tolerances .XX ±0.10)
0.8mm MAX THICKNESS



THIS DRAWING IS A CONTROLLED DOCUMENT.

DWN APV 25FEB2009

CHK -

APVD -

PRODUCT SPEC -

APPLICATION SPEC -

WEIGHT -

CUSTOMER DRAWING



TE Connectivity

NAME
UNIVERSAL ANTENNA MODULE (UAM)
WLAN

SIZE CAGE CODE DRAWING NO RESTRICTED TO

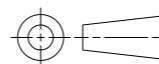
A300779 C-1513472

SCALE 1:1 SHEET 2 OF 3 REV F

DIMENSIONS:
mm

TOLERANCES UNLESS OTHERWISE SPECIFIED:

- 0 PLC ±-
- 1 PLC ±-
- 2 PLC ±-
- 3 PLC ±-
- 4 PLC ±-
- ANGLES ±-



MATERIAL -

FINISH -

THIS DRAWING IS UNPUBLISHED.

RELEASED FOR PUBLICATION

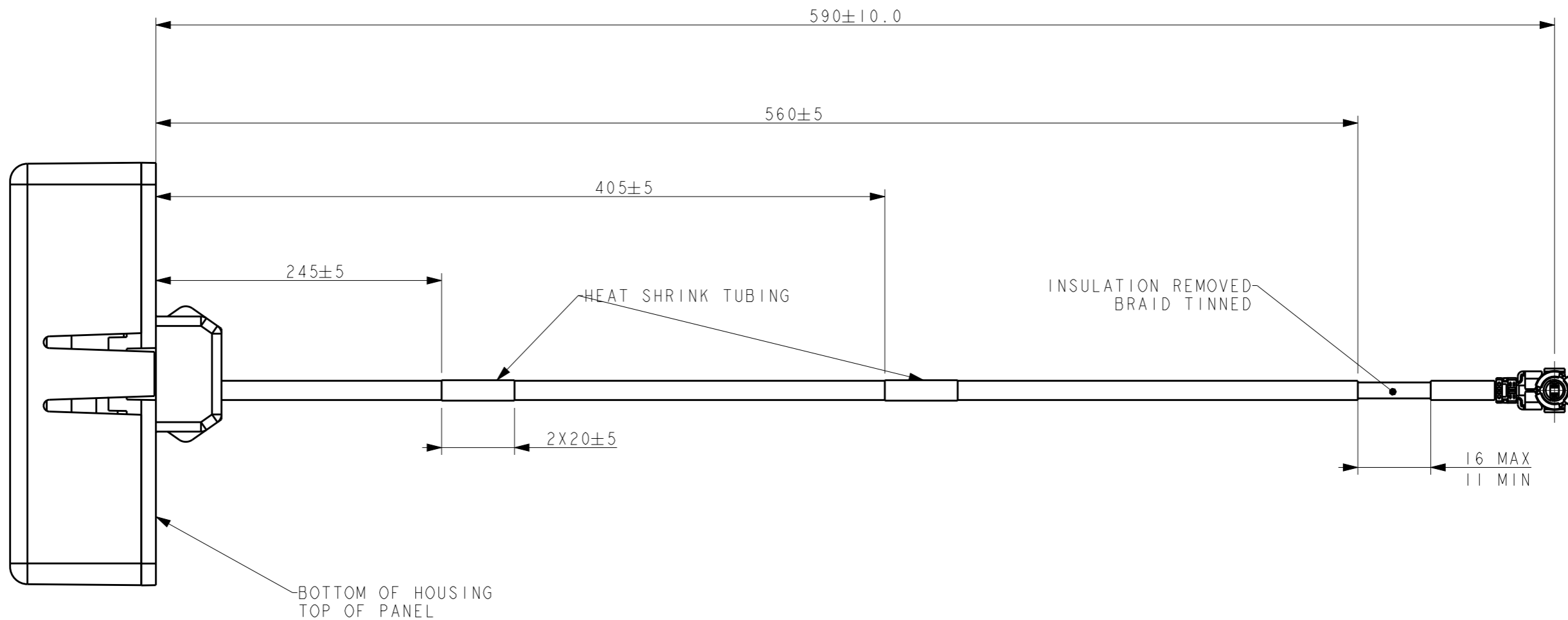
20

© COPYRIGHT 20


ALL RIGHTS RESERVED.

REVISIONS

P	LTR	DESCRIPTION	DATE	DWN	APVD
-	-	SEE SHEET 1	-	-	-



1513472-7 ASSEMBLY ONLY

THIS DRAWING IS A CONTROLLED DOCUMENT.		DWN APV	25FEB2009	 TE Connectivity	
DIMENSIONS: mm		CHK	-		
TOLERANCES UNLESS OTHERWISE SPECIFIED:		APVD	-	NAME UNIVERSAL ANTENNA MODULE (UAM) WLAN	
0 PLC ±-		PRODUCT SPEC	-	SIZE	
1 PLC ±-		APPLICATION SPEC	-	CAGE CODE	DRAWING NO
2 PLC ±-		WEIGHT	-	A300779	C=1513472
3 PLC ±-		CUSTOMER DRAWING	-	SCALE	SHEET 3 OF 3
4 PLC ±-				1:1	REV F
ANGLES ±-					
FINISH					
MATERIAL					