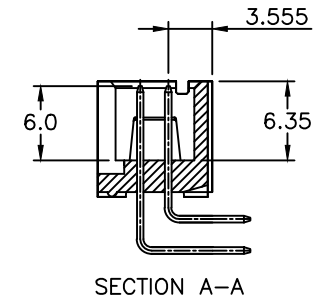
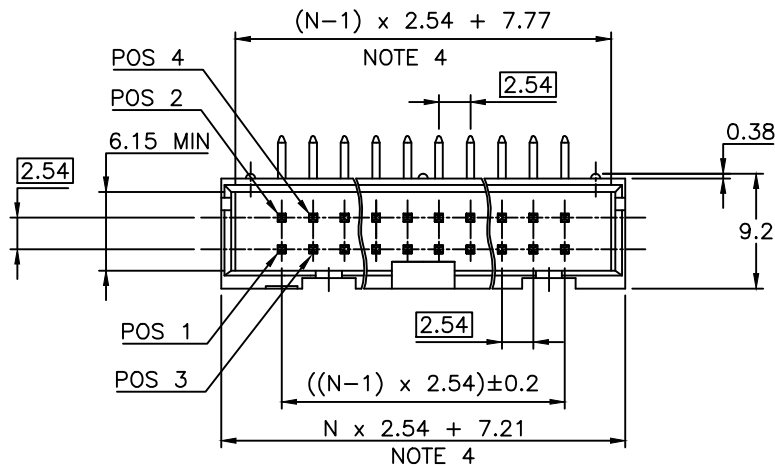


PRODUCT NUMBER
75867-YXXLF

- RoHS COMPATIBLE, SEE NOTE 5
- PIN STYLE, SEE SHEET 2
- PLATING SEE SHEET 2



NOTES:

- 1 - HOUSING MAT'L : GLASS FILLED THERMOPLASTIC. UL94V-0 COLOR: BLUE
- 2 - PIN MATERIAL : PHOSPHOR BRONZE
- 3 - PACKAGING :
POLYBAGS FROM 2X02 TO 2X04 POSITIONS
TUBE FROM 2X05 TO 2X32 POSITIONS
- 4 - TO DETERMINE DIMENSIONS :
N = NUMBER OF POSITIONS PER ROW
EXAMPLE : 8 POS $N \times 2.54 = 20.32\text{mm}$
- 5 - RoHS COMPATIBLE PRODUCT SPECIFICATIONS

a - PLATING:

- "LF" MEANS THE PRODUCT IS LEAD-FREE, 2µm MINIMUM MATTE TIN OVER 1.27µm MINIMUM NICKEL UNDERPLATE.

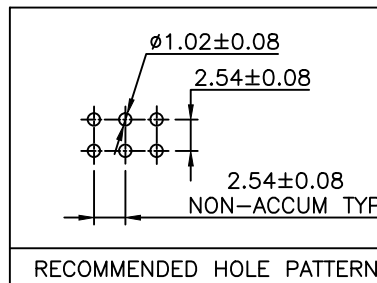
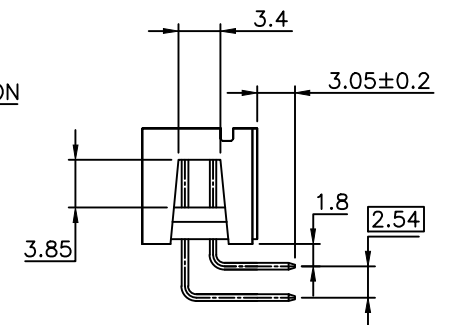
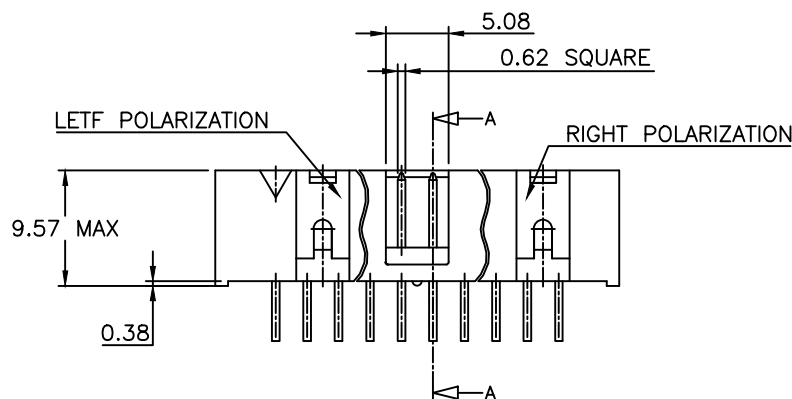
b - MANUFACTURING PROCESS COMPATIBILITY

- THE HOUSING WILL WITHSTAND EXPOSURE TO 260°C ±5°C SOLDER BATH TEMPERATURE FOR 5 SECONDS IN A WAVE SOLDER APPLICATION WITH A 1.6mm MIN THICK CIRCUIT BOARD.

c - LABELLING:

- MEETS PACKAGING SPECS AS PER GS-14-920

d - LEGAL STATEMENT: SEE GS-47-0004



mat'l. code		surface		tolerance		projection		product family	
SEE NOTES		ISO 1302		ISO 406 ISO 1101		mm		QUICKIE	
ltr	ecr no	dr	date	tolerances unless otherwise specified		mm		title	
AJ	F06-0335	LMU	06.12.08	angles	linear	scale 2.5:1		SHR.LP.HEADER RA DR TMT	
AK	F07-0198	LMU	07.05.30					dwg no	
AL	F08-0146	YOV	08.04.11					75867	
AM	F10-0258	LMU	10.12.15	dr	D.LE			sheet 1 of 2 size	
AN	B-19072	LMU	14.10.15	enrg	JM.C			A3	
AP	B-19093	LMU	14.10.16	chr	JF.N			type	
				appd	JM.C			CUSTOMER Drawing	
sheet index	revision sheet	AP	AJ						
		1	2						

