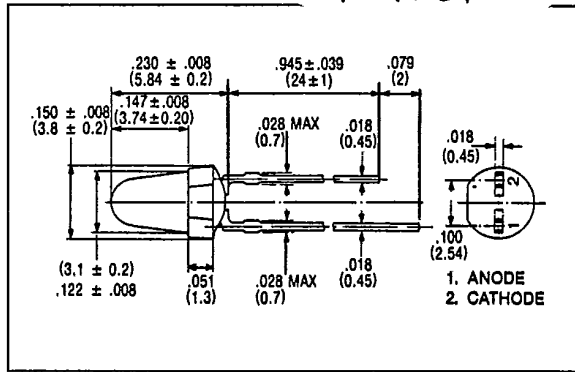


# T-1 LOW CURRENT SERIES

## FEATURES

- Optimized for low D.C. current operation.
- T-1 tapered design.
- CMOS and TTL compatible.
- Excellent brightness at 2mA.



## MAXIMUM RATINGS (Ta = 25°C)

PART NO.	FORWARD CURRENT (IF) (mA)	REVERSE VOLTAGE (VR) (V)	POWER DISSIPATION (PD) (mW)	OPERATING TEMPERATURE (TOpr) (°C)	STORAGE TEMPERATURE (Tstg) (°C)
MT640-R2	20	4	56	-20 ~ 75	-30 ~ 100
MT640-UG2	20	4	56	-20 ~ 75	-30 ~ 100
MT640-UY2	20	4	56	-20 ~ 75	-30 ~ 100

## OPTO-ELECTRICAL CHARACTERISTICS (Ta = 25°C)

PART NO.	MATERIAL	LENS COLOR	VIEWING ANGLE	LUMINOUS INTENSITY (mcd)			FORWARD VOLTAGE (v)			REVERSE CURRENT		PEAK WAVELENGTH (nm)	SPEC. LINE HALF WIDTH (nm)
			typ.	min.	typ.	@mA	typ.	max.	@ mA	μA	Vr		
MT640-R2	GaP/GaP	Red/Diff	25°	1.0	1.8	2	2.1	2.8	20	100	4	700	100
MT640-UG2	GaP/GaP	Green/Diff	25°	1.0	1.6	2	2.1	2.8	20	5	4	565	25
MT640-UY2	GaAsP/GaP	Yellow/Diff	25°	1.0	1.6	2	2.1	2.8	20	100	4	585	32