



Model Number

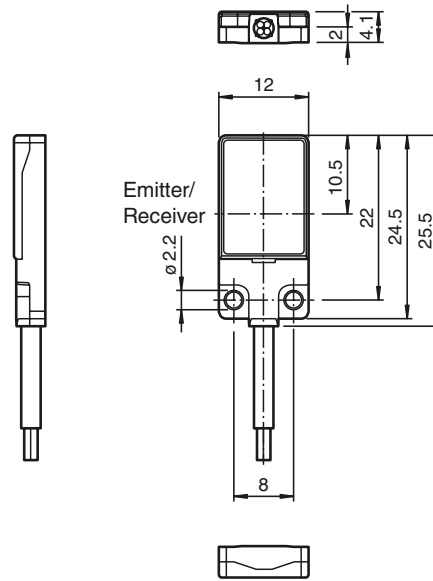
OBE500-R2F-SE2

Thru-beam sensor (pair)
with 2 m fixed cable

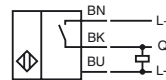
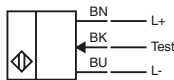
Features

- Very flat design for direct mounting without mounting bracket
- Very bright, highly visible light spot

Dimensions



Electrical connection



Release date: 2019-10-29 09:54 Date of issue: 2019-10-29 253560_eng.xml

Refer to "General Notes Relating to Pepperl+Fuchs Product Information".

Technical data**System components**

Emitter	OBE500-R2F-S
Receiver	OBE500-R2F-E2

General specifications

Effective detection range	0 ... 500 mm
---------------------------	--------------

Threshold detection range	700 mm
---------------------------	--------

Light source	LED
--------------	-----

Light type	modulated visible red light , 630 nm
------------	--------------------------------------

LED risk group labelling	exempt group
--------------------------	--------------

Angle deviation	approx. 2 °
-----------------	-------------

Object size	typ. starts from 1.5 mm
-------------	-------------------------

Diameter of the light spot	approx. 90 mm at a distance of 500 mm
----------------------------	---------------------------------------

Angle of divergence	approx. 5 °
---------------------	-------------

Optical face	frontal
--------------	---------

Ambient light limit	EN 60947-5-2 : 25000 Lux
---------------------	--------------------------

Functional safety related parameters

MTTF _d	806 a
-------------------	-------

Mission Time (T _M)	20 a
--------------------------------	------

Diagnostic Coverage (DC)	0 %
--------------------------	-----

Indicators/operating means

Operation indicator	LED green, statically lit Power on , short-circuit : LED green flashing (approx. 4 Hz)
---------------------	----------------------------------------------------------------------------------------

Function indicator	Receiver: LED yellow, lights up when light beam is free, flashes when falling short of the stability control ; OFF when light beam is interrupted
--------------------	---------------------------------------------------------------------------------------------------------------------------------------------------

Electrical specifications

Operating voltage	U _B	10 ... 30 V DC
-------------------	----------------	----------------

No-load supply current	I ₀	< 10 mA
------------------------	----------------	---------

Protection class	III
------------------	-----

Input

Test input	Test of switching function at 0 V
------------	-----------------------------------

Output

Switching type	NO contact / dark on
----------------	----------------------

Signal output	1 PNP output, short-circuit protected, reverse polarity protected, open collector
---------------	-----------------------------------------------------------------------------------

Switching voltage	max. 30 V DC
-------------------	--------------

Switching current	max. 50 mA , resistive load
-------------------	-----------------------------

Voltage drop	U _d	≤ 1.5 V DC
--------------	----------------	------------

Switching frequency	f	approx. 1 kHz
---------------------	---	---------------

Response time	500 μs
---------------	--------

Conformity

Product standard	EN 60947-5-2
------------------	--------------

Ambient conditions

Ambient temperature	-20 ... 60 °C (-4 ... 140 °F)
---------------------	-------------------------------

Storage temperature	-20 ... 70 °C (-4 ... 158 °F)
---------------------	-------------------------------

Mechanical specifications

Housing width	12 mm
---------------	-------

Housing height	25.5 mm
----------------	---------

Housing depth	4.1 mm
---------------	--------

Degree of protection	IP67
----------------------	------

Connection	2 m fixed cable
------------	-----------------

Material

Housing	PC
---------	----

Optical face	PMMA
--------------	------

Cable	PUR
-------	-----

Mass	approx. 20 g Per sensor
------	-------------------------

Tightening torque, fastening screws	1 Nm
-------------------------------------	------

Cable length	2 m
--------------	-----

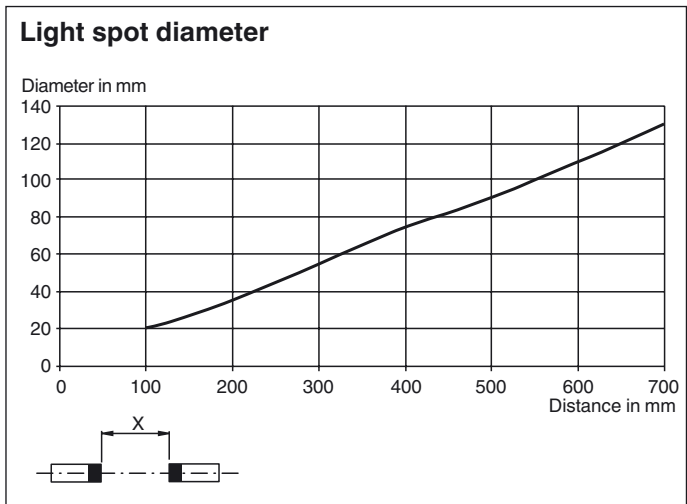
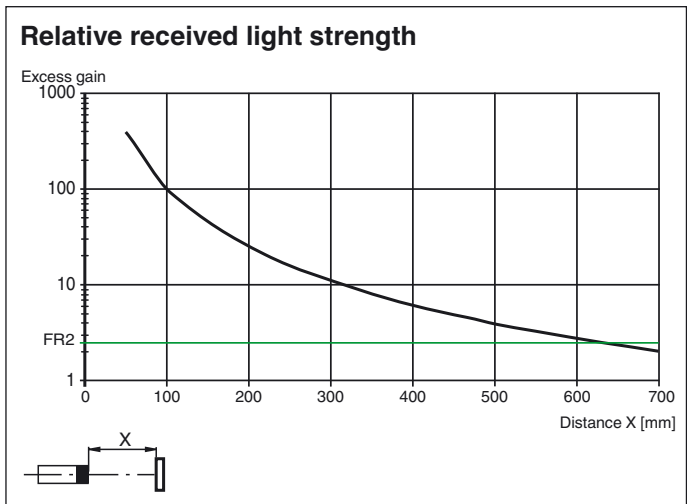
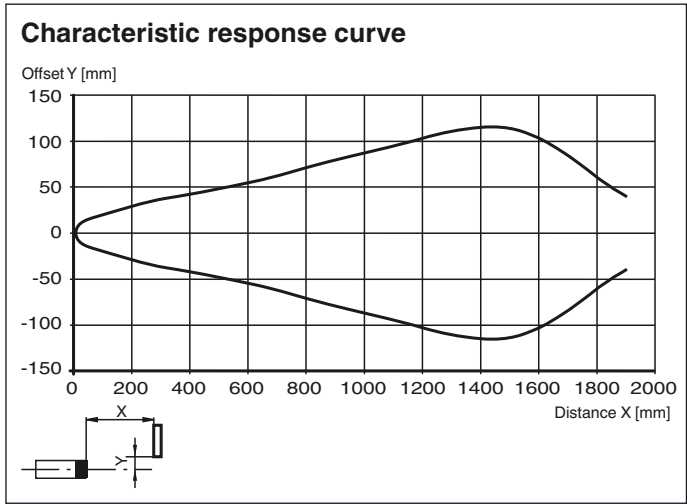
Approvals and certificates

UL approval	E87056 , cULus Recognized, Class 2 Power Source
-------------	-------------------------------------------------

CCC approval	CCC approval / marking not required for products rated ≤36 V
--------------	--------------------------------------------------------------

Other suitable accessories can be found at
www.pepperl-fuchs.com

Curves/Diagrams



Release date: 2019-10-29 09:54 Date of issue: 2019-10-29 253560_eng.xml

Refer to "General Notes Relating to Pepperl+Fuchs Product Information".