

说明书

型号: HRS1H-S-DC5V 继电器

1. 线圈参数

| | |
|------------|--------------------------------|
| 1.1 额定电压 | 5VDC |
| 1.2 线圈电阻 | 125 Ω \pm 10% at 23°C |
| 1.3 额定电流 | 40mA \pm 10% at 23°C |
| 1.4 吸合电压 | 3.75VDC Max at 23°C |
| 1.5 释放电压 | 0.5VDC Min at 23°C |
| 1.6 最大线圈电压 | 6.5VDC(130%额定电压) |
| 1.7 额定功率 | 200mW |

2. 触点参数

| | |
|---------------|-----------------------------------|
| 2.1 触点形式 | 1 Form C |
| 2.2 触点材料 | Au-Ag |
| 2.3 触点负载 | 阻性: 3A 120VAC/24VDC |
| 2.4 最大切换电压 | 30VDC/120VAC |
| 2.5 最大切换电流 | 3A |
| 2.6 最大切换功率 | 360VA , 72W |
| 2.7 最小切换电流电压 | 10mA 5VDC |
| 2.8 接触电阻 (首次) | Max.50m Ω at 6VDC 0.1A |
| 2.9 寿命 | |
| (1) 电气寿命 | 额定负载下 100,000 次 (1800 次/小时) |
| (2) 机械寿命 | 空载下 10,000,000 次 (18,000 次/小时) |

3. 性能

| | |
|--------------------|-----------------------------|
| 3.1 绝缘电阻 | Min.100M Ω at 500VDC |
| 3.2 介质耐压(漏电流: 1mA) | |
| (1) 触点间 | 750VAC, 1 min , 50/60Hz |
| (2) 线圈与触点间 | 1,000VAC, 1 min , 50/60Hz |
| 3.3 吸合时间 | Max. 10ms. |
| 3.4 释放时间 | Max. 5ms. |
| 3.5 环境温度 | -25 to +70°C |
| 3.6 贮存温度 | -40 to +85°C |

- 3.7 温升
线圈 电阻法，用3A额定电流激励触点，110%额定电压激励线圈，温升不超过40k。
- 3.8 冲击
- 3.8.1 强度 1,000m/s², 6ms, 3 shock (X, Y, Z 每个方向)
继电器结构无损坏。
- 3.8.2 稳定性 100m/s², 11ms, 3 shock (X, Y, Z 每个方向)
继电器外观、性能无异常。
- 3.9 振动
- 3.9.1 强度 双振幅 1.5mm, 频率 10~55Hz, 2hs。
继电器结构无损坏。
- 3.9.2 稳定性 双振幅 1.5mm, 频率 10~55Hz, 5min。
继电器外观、性能无异常
- 3.10 端子强度 1kg 力推拉继电器引出端 10 秒。
- 3.11 寒冷 -25±2℃, 2 小时
继电器结构及性能无异常。
- 3.12 干热 70±2℃, 16 小时
继电器结构及性能无异常。
- 3.13 湿热 40±2℃, 90-95%, 48 小时
继电器结构及性能无异常。
绝缘电阻最小 100MΩ
- 3.14 可焊性 焊锡应在浸渍表面完成。
焊锡温度 260℃, 时间 5 秒
- 3.15 耐焊性 当继电器引出端沉浸在 260℃ (时间 10 秒)
或 350℃ (时间 3 秒) 的锡温中继电器结构
及性能无异常。

4 命名

HRS1 H - S - DC5V
a b c

a: 继电器系列型号

b: 线圈功率

H: 200mW

c: 线圈电压 DC5V

5 印字

具体见附件 Y-HRS1-N8-00

5.1 外壳颜色

黄色

5.2 印字位置

外壳正上方

5.3 印字类型

激光印字

6 外形尺寸

请见附件 HKE4.520.025

7 认证

UL NO.E164730

00-8N-1-SRH-人



图1 1:1

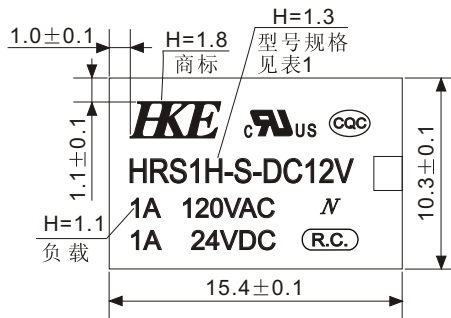


图2 2.5:1

技术要求:

- 1.未注公差按 ± 0.2 ，以上单位：mm；
- 3.线条宽度0.3mm，标志图中的字体线条宽度为0.2mm；
- 4.注塑印字，字体要求凸起，字迹应清晰、美观。

产品编号

HRS1

旧底图总号

| | | | | |
|------|-----|------|----|----|
| 标记 | 数量 | 更改单号 | 签名 | 日期 |
| 底图总号 | 设计 | | | |
| | 审核 | | | |
| | 工艺 | | | |
| 日期 | 签名 | | | |
| | 标准化 | | | |
| | 批准 | | | |

HRS1外壳标志图
HRS1 Marking

注塑印字

EKE

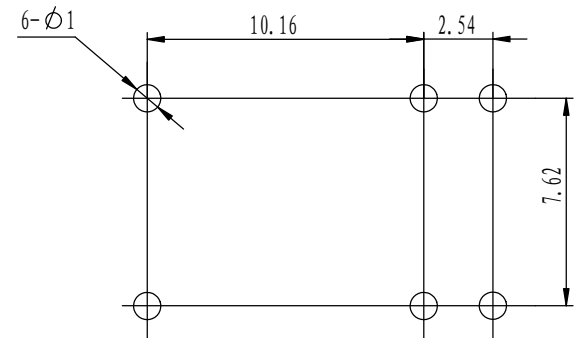
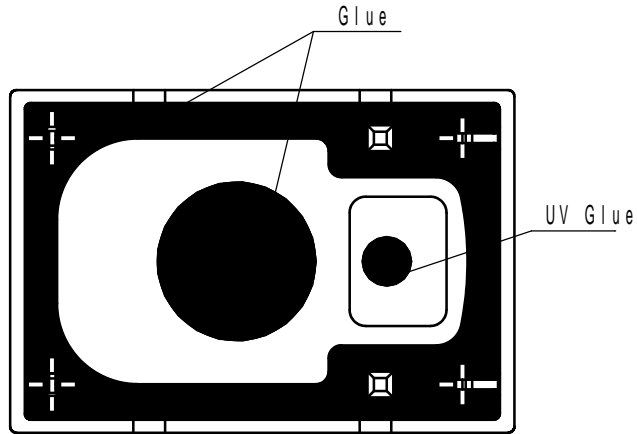
浙江汇港电器有限公司

| | | | |
|----|----|----|----|
| 阶段 | 标记 | 质量 | 比例 |
| | | | |

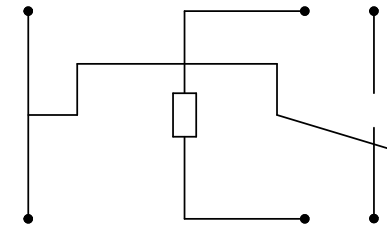
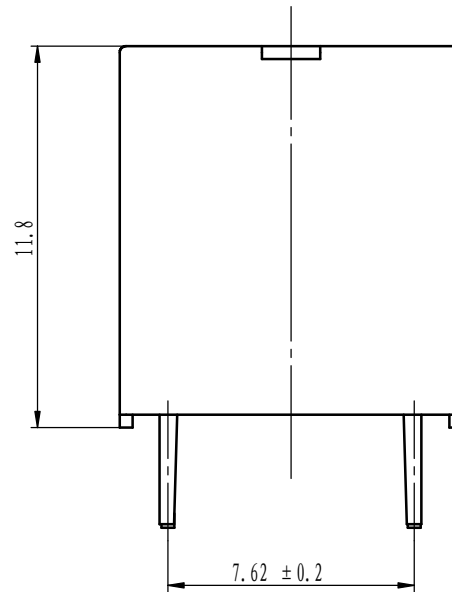
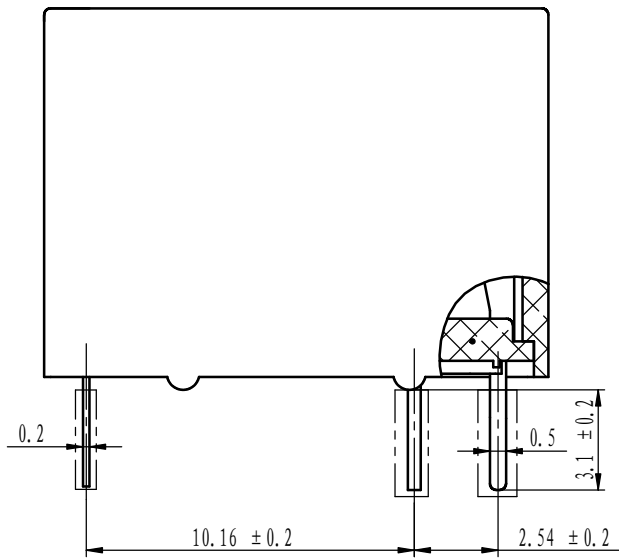
| | |
|-----|-----|
| 共 页 | 第 页 |
|-----|-----|

Y-HRS1-N8-00

HKE4.520.025



PC board layouts (Bottom View)



Wiring Diagram (Bottom View)

| | |
|--------|----|
| 媒体编号 | |
| 旧底图总号 | |
| 底图总号 | |
| 日期 | 签名 |
| 格式 (1) | |

制图:

描图:

| | | | | |
|---|--------------|-----|----|----|
| HRS1-C Relay | HKE4.520.025 | | | |
| | 阶段 | 标记 | 质量 | 比例 |
| | 第 张 | 共 张 | | |
|  浙江汇港电器有限公司 | | | | |

幅面: A4



质量管理体系认证证书

证书编号：00108Q12992R3M/3302

兹证明

浙江汇港电器有限公司

中国浙江省宁波市鄞州区云龙镇甲村（架山）162号

建立的质量管理体系符合标准：

ISO9001:2000

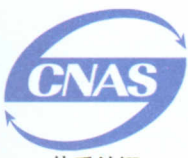
GB/T 19001-2000

通过认证范围如下：

电磁继电器的设计、组装生产和服务

首次发证日期：2008年8月15日 本次发证日期：2008年8月15日 有效期至：2011年8月14日

在一个监督周期后，本证书必须与CQC签发的监督审核合格通知书合并使用方可有效。查询证书有效状态请登陆www.cqc.com.cn。



体系认证
CNAS C001-Q



Signed by: Wang Kejiao





ISO14001 认证证书

证书编号: 0106E20573R1M/3302

兹证明

浙江汇港电器有限公司

中国浙江省宁波市鄞州区云龙镇甲村工业区28号

建立的环境管理体系符合标准:

ISO14001:2004

通过认证范围如下:

继电器的开发设计和制造及相关管理活动

发证日期: 2006年12月31日

有效期至: 2009年12月30日

本证书的有效性依据发证机构的定期监督获得保持
证书有效性信息请登录 www.cqc.com.cn 进行查询



认证注册号: CNAB001-E



李怀林

Signed by: Li huailin



中国质量认证中心

中国·北京·朝阳门外大街甲10号 100020

<http://www.cqc.com.cn>



NRNT2.E164730 Switches, Industrial Control - Component

[Page Bottom](#)

Switches, Industrial Control - Component

[See General Information for Switches, Industrial Control - Component](#)

ZHEJIANG HKE RELAY CO LTD
28 JIA CUN INDUSTRY AREA
NINGBO, ZHEJIANG 315135 CHINA

E164730

Relays, Model(s) AC, followed by 3, followed by S, followed by DC, followed by 5V, 6V, 9V, 12V, 18V or 24V, followed by A

Relays, Model(s) CMP6-S or F6-S, followed by DC5V, 6V, 9V, 12V, or 24V, may be followed by P

Relays, Model(s) CMP7 or CMP8, followed by Nil or S, followed by DC5V, DC6V, DC24V, DC9V, DC12V, DC24V, DC48V, followed by A or C

Relays, Model(s) CMP8(AT)-S followed by DC5V, DC6V, DC9V, DC12V, DC24V or DC48V, followed by A

Relays, Model(s) HCP, followed by 1, 2 or 3, followed by blank or S, followed by DC, followed by 5V, 6V, 9V, 12V, 18V, 24V, 36V, 48V, followed by A or C, HRA, may be followed by H, may be followed by S, HRB1-S, followed by DC3V, DC5V, DC6V, DC9V, DC12V or DC24V, HRM, may be followed by 1 or 2, may be followed by H, may be followed by S

Relays, Model(s) HRM, may be followed by 3, may be followed by H or L, may be followed by S, may be followed by DC3-DC48 incl

Relays, Model(s) HRM4, may be followed by H, may be followed by S, followed by DC3-DC24 incl

Relays, Model(s) HRM4, may be followed by H, may be followed by S, may be followed by DC3 - DC48, followed by SP, HRMF, followed by DC3V, DC5V, DC6V, DC9V, DC12V, DC18V, DC24V or DC48V

Relays, Model(s) HRS, may be followed by 3 or 4, may be followed by H, may be followed by A, may be followed by S, followed by DC3-D48 incl

Relays, Model(s) HRS1, may be followed by K, may be followed by B or H, may be followed by 3, may be followed by S, followed by DC, followed by XX, where XX is coil voltage, HRS2, may be followed by B or H, may be followed by S, HRS2H, followed by S, followed by 3 VDC through 48 VDC, followed B, N or T

Relays, Model(s) HRS3, may be followed by N, may be followed by H, followed by S, followed by DC3V, DC5V, DC6V, DC9V, DC12V, or DC24V, may be followed by A or C

Relays, Model(s) HRS3-S, followed by DC3V, DC5V, DC6V, DC9V, DC12V or DC24V, followed by A or C

Relays, Model(s) HRS3T, may be followed by H, followed by S, followed by DC, followed by 3V, 5V, 6V, 9V, 12V or 24V, followed by A or C

Relays, Model(s) HRS4, may be followed by T, may be followed by F, may be followed by H, followed by S, followed by DC, followed by 3V, 5V,, 6V, 9V, 12V, 24V or 48V, may be followed by A

Relays, Model(s) HRS4E, followed by by Blank or H; followed by Blank or S; followed by DC3V, DC5V, DC6V, DC9V, DC12V, DC18V, DC24V or DC48V; followed by X or G

Relays, Model(s) L7, may be followed by S, followed by DC6V, DC12V, DC24V, DC48V, DC100V, DC110V, AC6V, AC12V, AC24V, AC48V, AC100V, AC120V, AC220V, AC240V, followed by 1A or 2A, followed by 2P or 2Q


Relays, Model(s) V6, may be followed by S, followed by DC3V, DC5V, DC6V, DC9V, DC12V, DC18V, DC24V or DC48V

Relays, open type, Model(s) AC5, may be followed by S, followed by DC, followed by 5V, 6V, 9V, 12V, 18V or 24V

Relays, open type, Model(s) F5, may be followed by H, followed by DC, followed by 3V, 5V, 6V, 9V, 12V, 18V, 24V or 48V, followed by P1 or P2

Relays, open type, Model(s) HCP4, may be followed by S, followed by DC, followed by 5V, 6V, 9V, 12V, 18V, 24V, 36V, or 48V, followed by A or C.

Relays, open type, for use in industrial application, Model(s) LH-DC12V-Q-2C

Marking: Company name or tradename "E164730" or trademark  and model designation.

[Last Updated](#) on 2009-05-13

[Questions?](#)

[Notice of Disclaimer](#)

[Page Top](#)

Copyright © 2009 Underwriters Laboratories Inc.®

The appearance of a company's name or product in this database does not in itself assure that products so identified have been manufactured under UL's Follow-Up Service. Only those products bearing the UL Mark should be considered to be Listed and covered under UL's Follow-Up Service. Always look for the Mark on the product.