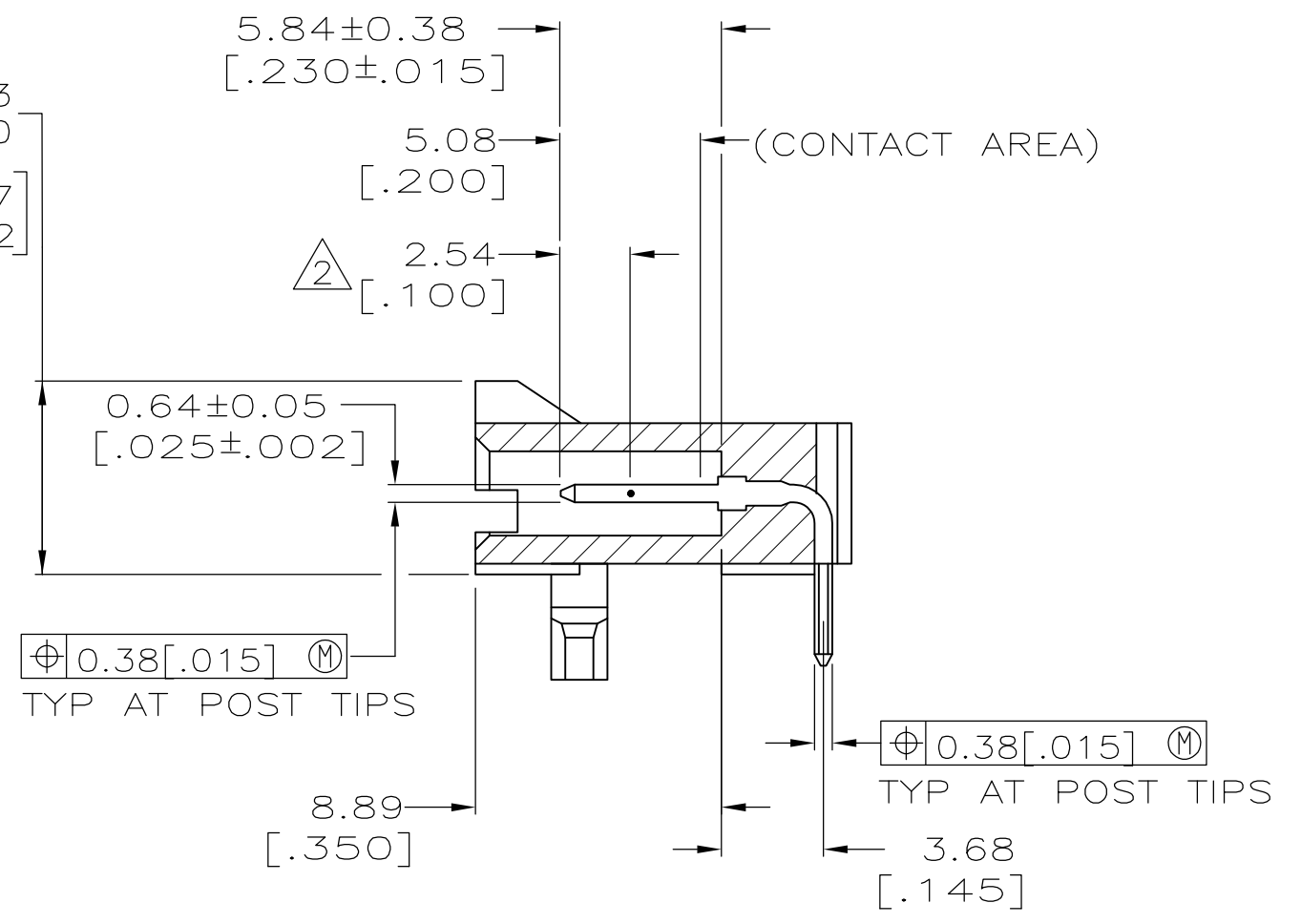
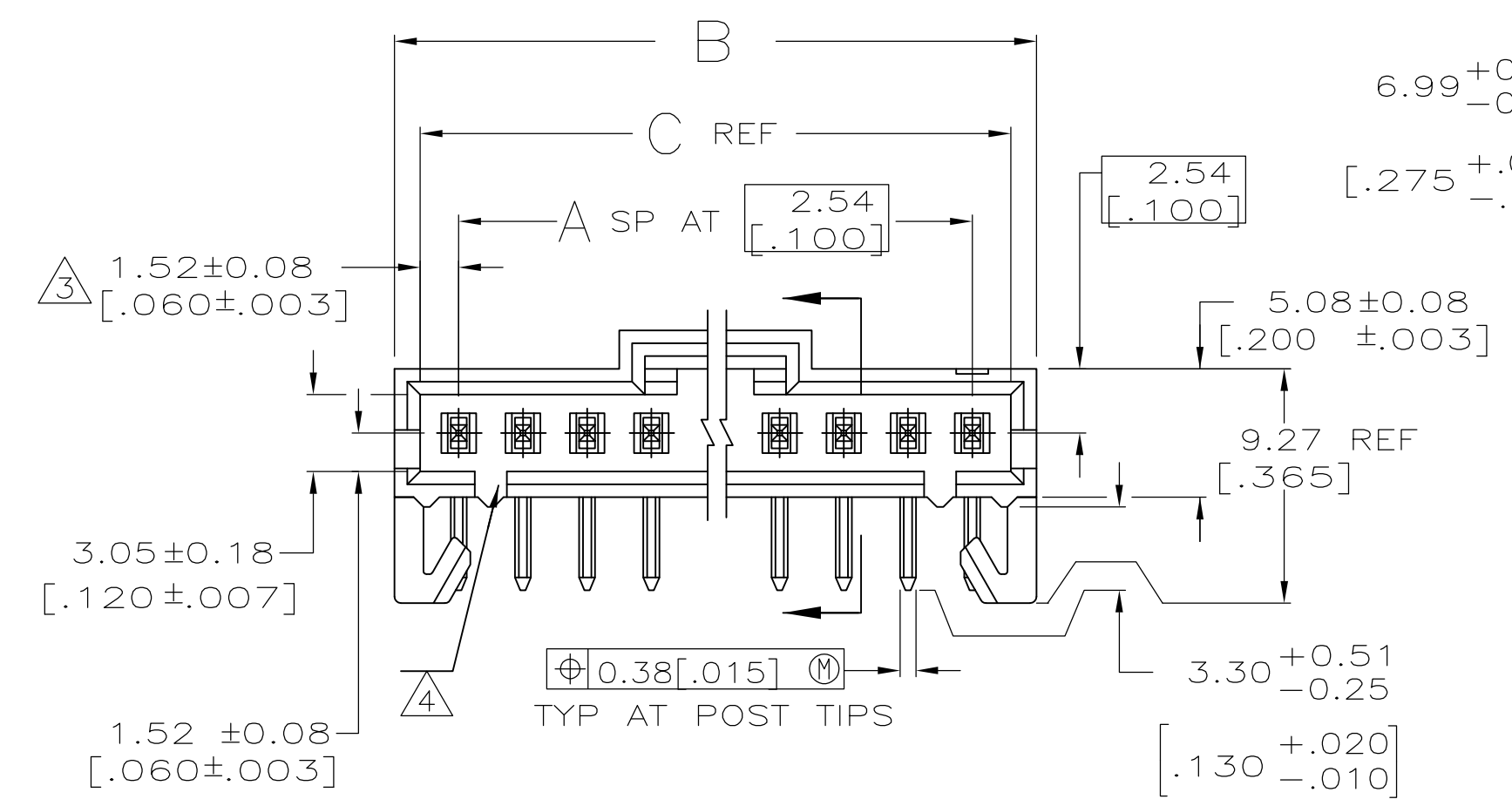
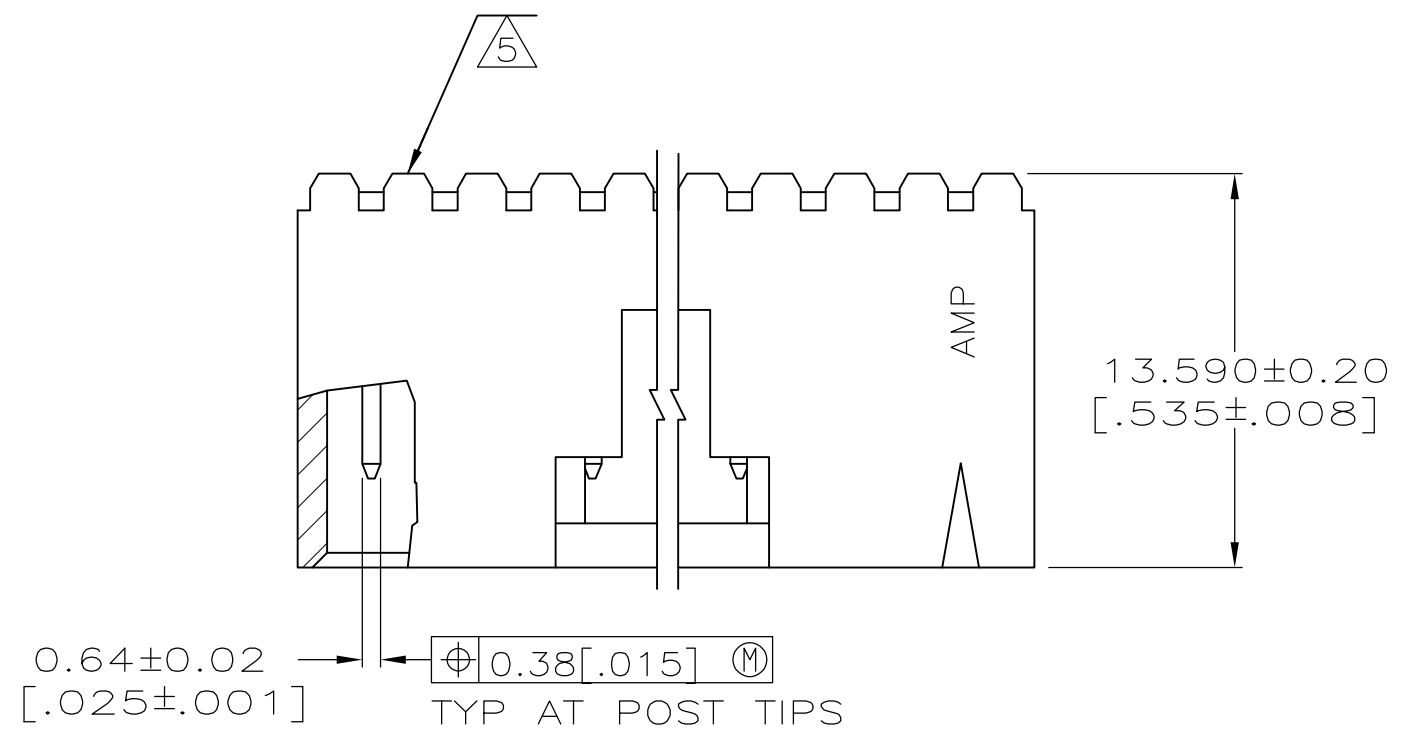
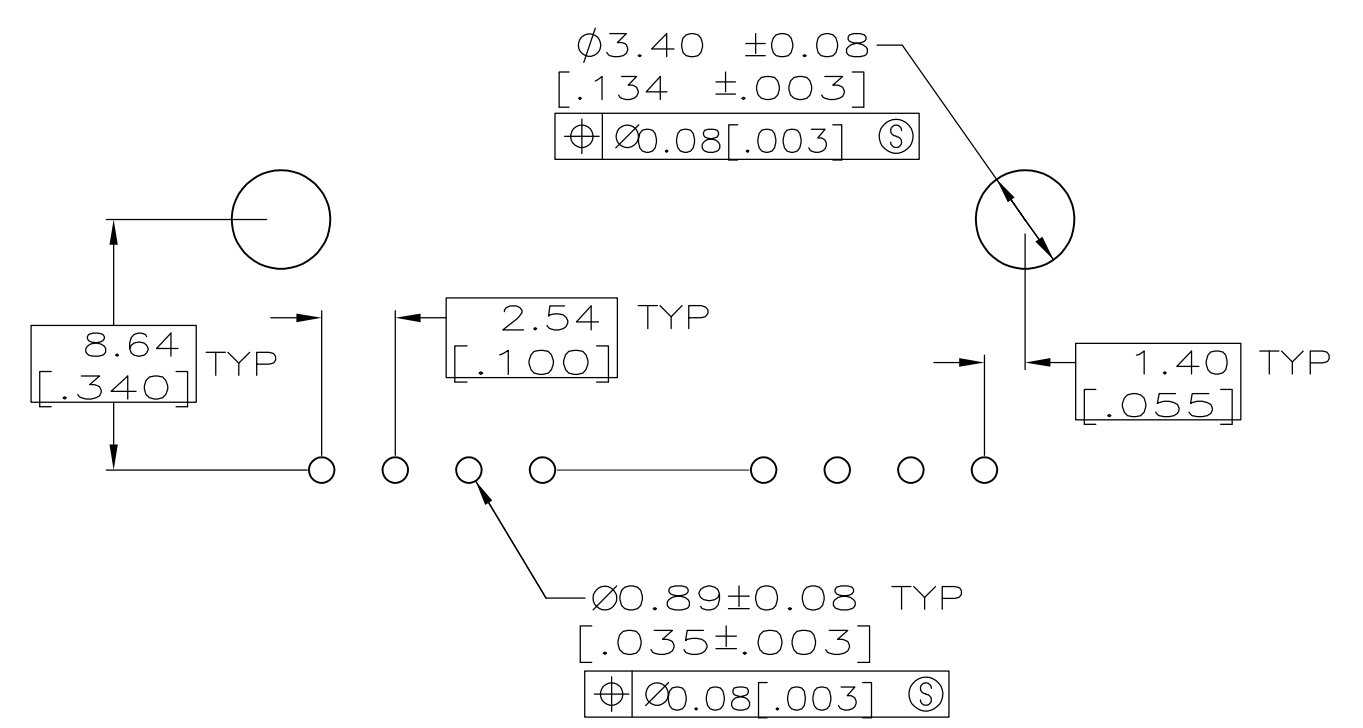


|     |      |           |     |                           |         |     |      |
|-----|------|-----------|-----|---------------------------|---------|-----|------|
| LOC | DIST | REVISIONS |     |                           |         |     |      |
| AD  | 00   | P         | LTR | DESCRIPTION               | DATE    | DWN | APPD |
|     |      | T3        |     | REVISED PER ECO-11-004587 | 11MAR11 | RK  | HMR  |



- ⚠ .00038[.000015] GOLD IN THE CONTACT AREA, .00254[.000100] MATTE TIN-LEAD ON REMAINDER OF CONTACT, ALL OVER .00127[.000050] NICKEL.
- ⚠ POINT OF MEASUREMENT FOR PLATING THICKNESS.
- ⚠ THE NOTED DIMENSIONS APPLY AT THE INTERSECTION OF THE POST AND THE HOUSING.
- ⚠ ON ASSEMBLIES WITH FOUR OR MORE POSITIONS, TWO POLARIZATION SLOTS. ON ASSEMBLIES WITH TWO OR THREE POSITIONS, ONE POLARIZATION SLOT.
- ⚠ AMP TRADEMARK MOLDED ON THIS SURFACE.
- 6. FOR USE WITH 1.57±0.20[.062±.008] PRINTED CIRCUIT BOARD.
- ⚠ .00038[.000015] GOLD IN THE CONTACT AREA, .00254[.000100] MATTE TIN ON REMAINDER OF CONTACT, ALL OVER .00127[.000050] NICKEL.
- ⚠ PRELIMINARY PART - NOT RELEASED FOR PRODUCTION.
- ⚠ HIGH TEMPERATURE CONFIGURATION.
- ⚠ OBSOLETE PARTS: OBSOLETE CIS STREAMLINING PER D.RENAUD/D.SINISI



RECOMMENDED HOLE LAYOUT

SEE SHEET 2 FOR PART NUMBER TABLES

|  |  |  |              |  |
|--|--|--|--------------|--|
| THIS DRAWING IS A CONTROLLED DOCUMENT. |  | DWN<br>S. SHUEY                        | 05MAR91      | <b>STE</b> TE Connectivity   |
|  |  | CHK<br>J. GESFORD                      | 05MAR91      |  |
| DIMENSIONS:<br>mm [INCHES]             |  | TOLERANCES UNLESS OTHERWISE SPECIFIED: |              | NAME<br>HDR ASSY, RTANG, SINGLE ROW<br>2.54[.100] C/L 0.641[.025] SQ. POST,<br>WITH PLZN & HOLD DOWNS, AMPMODU MTE |
|  |  | 0 PLC                                  | ± -          |  |
|  |  | 2 PLC                                  | ± -          |  |
|  |  | 3 PLC                                  | ± 0.13[.005] |  |
|  |  | 4 PLC                                  | ± -          |  |
| MATERIAL                               |  | FINISH                                 | SEE TABLE    | RESTRICTED TO  |
| PRODUCT SPEC                           |  | 108-25034                              |              | SIZE   |
| APPLICATION SPEC                       |  | 114-25026                              |              | CAGE CODE  |
| WEIGHT                                 |  | -                                      |              | DRAWING NO   |
| CUSTOMER DRAWING                       |  | SCALE                                  |              | 4:1  |
| SHEET                                  |  | 1                                      |              | OF   |
| REV                                    |  | T3                                     |              |  |

THIS DRAWING IS UNPUBLISHED. RELEASED FOR PUBLICATION  
 © COPYRIGHT - By - ALL RIGHTS RESERVED.

| LOC | DIST | REVISIONS |     |             |      |     |      |
|-----|------|-----------|-----|-------------|------|-----|------|
| AD  | 00   | P         | LTR | DESCRIPTION | DATE | OWN | APVD |
|     |      | -         | -   | SEE SHEET 1 | -    | -   | -    |

|         |         |         |         |    |             |            |          |    |
|---------|---------|---------|---------|----|-------------|------------|----------|----|
| 9       | 7       | 64.01   | 66.04   | 24 | 25          | 7-103673-4 | OBSOLETE | 10 |
|         |         | [2.520] | [2.600] |    |             |            |          |    |
| 9       | 7       | 61.47   | 63.50   | 23 | 24          | 7-103673-3 |          |    |
|         |         | [2.420] | [2.500] |    |             |            |          |    |
| 9       | 7       | 58.93   | 60.96   | 22 | 23          | 7-103673-2 | OBSOLETE | 10 |
|         |         | [2.320] | [2.400] |    |             |            |          |    |
| 9       | 7       | 56.39   | 58.42   | 21 | 22          | 7-103673-1 | OBSOLETE | 10 |
|         |         | [2.220] | [2.300] |    |             |            |          |    |
| 9       | 7       | 53.85   | 55.88   | 20 | 21          | 7-103673-0 | OBSOLETE | 10 |
|         |         | [2.120] | [2.200] |    |             |            |          |    |
| 9       | 7       | 51.31   | 53.34   | 19 | 20          | 6-103673-9 |          |    |
|         |         | [2.020] | [2.100] |    |             |            |          |    |
| 9       | 7       | 48.77   | 50.80   | 18 | 19          | 6-103673-8 | OBSOLETE | 10 |
|         |         | [1.920] | [2.000] |    |             |            |          |    |
| 9       | 7       | 46.23   | 48.26   | 17 | 18          | 6-103673-7 | OBSOLETE | 10 |
|         |         | [1.820] | [1.900] |    |             |            |          |    |
| 9       | 7       | 43.69   | 45.72   | 16 | 17          | 6-103673-6 |          |    |
|         |         | [1.720] | [1.800] |    |             |            |          |    |
| 9       | 7       | 41.15   | 43.18   | 15 | 16          | 6-103673-5 |          |    |
|         |         | [1.620] | [1.700] |    |             |            |          |    |
| 9       | 7       | 38.61   | 40.64   | 14 | 15          | 6-103673-4 |          |    |
|         |         | [1.520] | [1.600] |    |             |            |          |    |
| 9       | 7       | 36.07   | 38.10   | 13 | 14          | 6-103673-3 |          |    |
|         |         | [1.420] | [1.500] |    |             |            |          |    |
| 9       | 7       | 33.53   | 35.56   | 12 | 13          | 6-103673-2 | OBSOLETE | 10 |
|         |         | [1.320] | [1.400] |    |             |            |          |    |
| 9       | 7       | 30.99   | 33.02   | 11 | 12          | 6-103673-1 |          |    |
|         |         | [1.220] | [1.300] |    |             |            |          |    |
| 9       | 7       | 28.45   | 30.48   | 10 | 11          | 6-103673-0 |          |    |
|         |         | [1.120] | [1.200] |    |             |            |          |    |
| 9       | 7       | 25.91   | 27.94   | 9  | 10          | 5-103673-9 |          |    |
|         |         | [1.020] | [1.100] |    |             |            |          |    |
| 9       | 7       | 23.37   | 25.40   | 8  | 9           | 5-103673-8 |          |    |
|         |         | [.920]  | [1.000] |    |             |            |          |    |
| 9       | 7       | 20.83   | 22.86   | 7  | 8           | 5-103673-7 |          |    |
|         |         | [.820]  | [.900]  |    |             |            |          |    |
| 9       | 7       | 18.29   | 20.32   | 6  | 7           | 5-103673-6 |          |    |
|         |         | [.720]  | [.800]  |    |             |            |          |    |
| 9       | 7       | 15.75   | 17.78   | 5  | 6           | 5-103673-5 |          |    |
|         |         | [.620]  | [.700]  |    |             |            |          |    |
| 9       | 7       | 13.21   | 15.24   | 4  | 5           | 5-103673-4 |          |    |
|         |         | [.520]  | [.600]  |    |             |            |          |    |
| 9       | 7       | 10.67   | 12.70   | 3  | 4           | 5-103673-3 |          |    |
|         |         | [.420]  | [.500]  |    |             |            |          |    |
| 9       | 7       | 8.13    | 10.16   | 2  | 3           | 5-103673-2 |          |    |
|         |         | [.320]  | [.400]  |    |             |            |          |    |
| 9       | 7       | 5.59    | 7.62    | 1  | 2           | 5-103673-1 |          |    |
|         |         | [.220]  | [.300]  |    |             |            |          |    |
| REMARKS | PLATING | C       | B       | A  | NO. OF POSN | PART NO.   |          |    |

|         |   |         |         |             |          |            |          |    |
|---------|---|---------|---------|-------------|----------|------------|----------|----|
| 8       | 7 | 41.15   | 43.18   | 15          | 16       | 2-103673-6 |          |    |
|         |   | [1.620] | [1.700] |             |          |            |          |    |
| 8       | 7 | 18.29   | 20.32   | 6           | 7        | 2-103673-5 |          |    |
|         |   | [.720]  | [.800]  |             |          |            |          |    |
| 1       | 1 | 64.01   | 66.04   | 24          | 25       | 2-103673-4 |          |    |
|         |   | [2.520] | [2.600] |             |          |            |          |    |
| 1       | 1 | 61.47   | 63.50   | 23          | 24       | 2-103673-3 |          |    |
|         |   | [2.420] | [2.500] |             |          |            |          |    |
| 1       | 1 | 58.93   | 60.96   | 22          | 23       | 2-103673-2 | OBSOLETE | 10 |
|         |   | [2.320] | [2.400] |             |          |            |          |    |
| 1       | 1 | 56.39   | 58.42   | 21          | 22       | 2-103673-1 |          |    |
|         |   | [2.220] | [2.300] |             |          |            |          |    |
| 1       | 1 | 53.85   | 55.88   | 20          | 21       | 2-103673-0 | OBSOLETE | 10 |
|         |   | [2.120] | [2.200] |             |          |            |          |    |
| 1       | 1 | 51.31   | 53.34   | 19          | 20       | 1-103673-9 |          |    |
|         |   | [2.020] | [2.100] |             |          |            |          |    |
| 1       | 1 | 48.77   | 50.80   | 18          | 19       | 1-103673-8 | OBSOLETE | 10 |
|         |   | [1.920] | [2.000] |             |          |            |          |    |
| 1       | 1 | 46.23   | 48.26   | 17          | 18       | 1-103673-7 |          |    |
|         |   | [1.820] | [1.900] |             |          |            |          |    |
| 1       | 1 | 43.69   | 45.72   | 16          | 17       | 1-103673-6 |          |    |
|         |   | [1.720] | [1.800] |             |          |            |          |    |
| 1       | 1 | 41.15   | 43.18   | 15          | 16       | 1-103673-5 |          |    |
|         |   | [1.620] | [1.700] |             |          |            |          |    |
| 1       | 1 | 38.61   | 40.64   | 14          | 15       | 1-103673-4 |          |    |
|         |   | [1.520] | [1.600] |             |          |            |          |    |
| 1       | 1 | 36.07   | 38.10   | 13          | 14       | 1-103673-3 |          |    |
|         |   | [1.420] | [1.500] |             |          |            |          |    |
| 1       | 1 | 33.53   | 35.56   | 12          | 13       | 1-103673-2 | OBSOLETE | 10 |
|         |   | [1.320] | [1.400] |             |          |            |          |    |
| 1       | 1 | 30.99   | 33.02   | 11          | 12       | 1-103673-1 |          |    |
|         |   | [1.220] | [1.300] |             |          |            |          |    |
| 1       | 1 | 28.45   | 30.48   | 10          | 11       | 1-103673-0 |          |    |
|         |   | [1.120] | [1.200] |             |          |            |          |    |
| 1       | 1 | 25.91   | 27.94   | 9           | 10       | 103673-9   |          |    |
|         |   | [1.020] | [1.100] |             |          |            |          |    |
| 1       | 1 | 23.37   | 25.40   | 8           | 9        | 103673-8   |          |    |
|         |   | [.920]  | [1.000] |             |          |            |          |    |
| 1       | 1 | 20.83   | 22.86   | 7           | 8        | 103673-7   |          |    |
|         |   | [.820]  | [.900]  |             |          |            |          |    |
| 1       | 1 | 18.29   | 20.32   | 6           | 7        | 103673-6   |          |    |
|         |   | [.720]  | [.800]  |             |          |            |          |    |
| 1       | 1 | 15.75   | 17.78   | 5           | 6        | 103673-5   |          |    |
|         |   | [.620]  | [.700]  |             |          |            |          |    |
| 1       | 1 | 13.21   | 15.24   | 4           | 5        | 103673-4   |          |    |
|         |   | [.520]  | [.600]  |             |          |            |          |    |
| 1       | 1 | 10.67   | 12.70   | 3           | 4        | 103673-3   |          |    |
|         |   | [.420]  | [.500]  |             |          |            |          |    |
| 1       | 1 | 8.13    | 10.16   | 2           | 3        | 103673-2   |          |    |
|         |   | [.320]  | [.400]  |             |          |            |          |    |
| 1       | 1 | 5.59    | 7.62    | 1           | 2        | 103673-1   |          |    |
|         |   | [.220]  | [.300]  |             |          |            |          |    |
| PLATING | C | B       | A       | NO. OF POSN | PART NO. |            |          |    |

THIS DRAWING IS A CONTROLLED DOCUMENT.

|                            |  |                     |                            |                              |                               |  |            |                     |                       |                    |
|----------------------------|--|---------------------|----------------------------|------------------------------|-------------------------------|--|------------|---------------------|-----------------------|--------------------|
| DIMENSIONS:<br>mm [INCHES] | TOLERANCES UNLESS OTHERWISE SPECIFIED:<br>0 PLC ± -<br>1 PLC ± -<br>2 PLC ± 0.13[.005]<br>3 PLC ± -<br>4 PLC ± -<br>ANGLES ± - | FINISH<br>SEE TABLE | OWN<br>S. SHUEY<br>OSMAR91 | CHK<br>J. GESFORD<br>OSMAR91 | APVD<br>J. GESFORD<br>OSMAR91 | NAME<br>HDR ASSY, RTANG, SINGLE ROW<br>2.54[.100] C/L 0.641[.025] SQ. POST.<br>WITH PLZN & HOLD DOWNS, AMPMODU MTE | SIZE<br>A1 | CAGE CODE<br>100779 | DRAWING NO.<br>103673 | RESTRICTED TO<br>- |
| MATERIAL<br>-              |  |                     | CUSTOMER DRAWING           |                              | SCALE<br>4:1                  | SHEET<br>2 OF 2  | REV<br>T3  |                     |                       |                    |

STE TE Connectivity