

Customer Information Sheet

DRAWING No.: M55-710XX42R

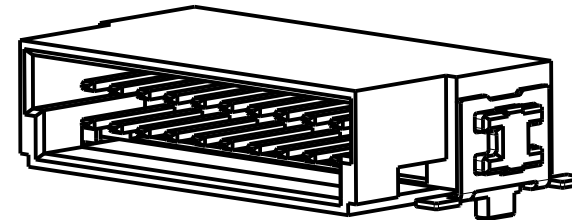
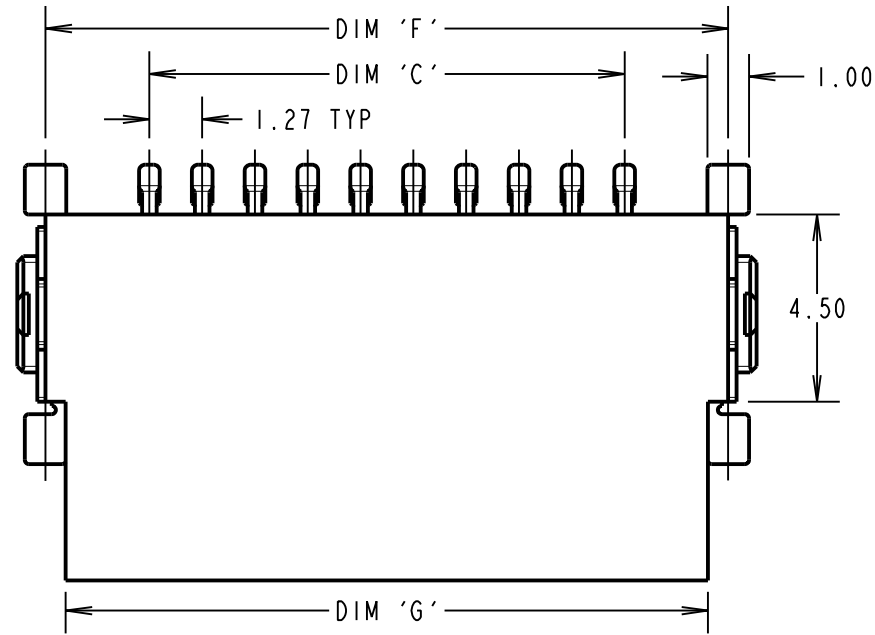
IF IN DOUBT - ASK

©

NOT TO SCALE

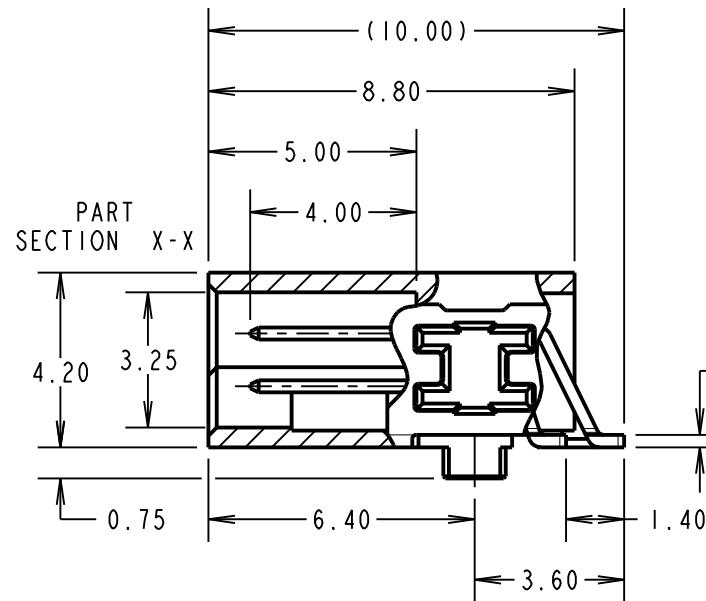
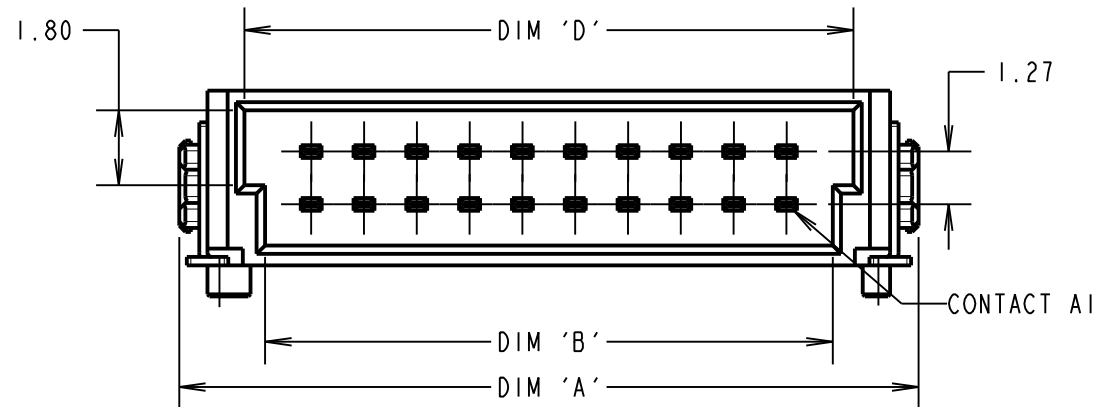
THIRD ANGLE PROJECTION

ALL DIMENSIONS IN mm



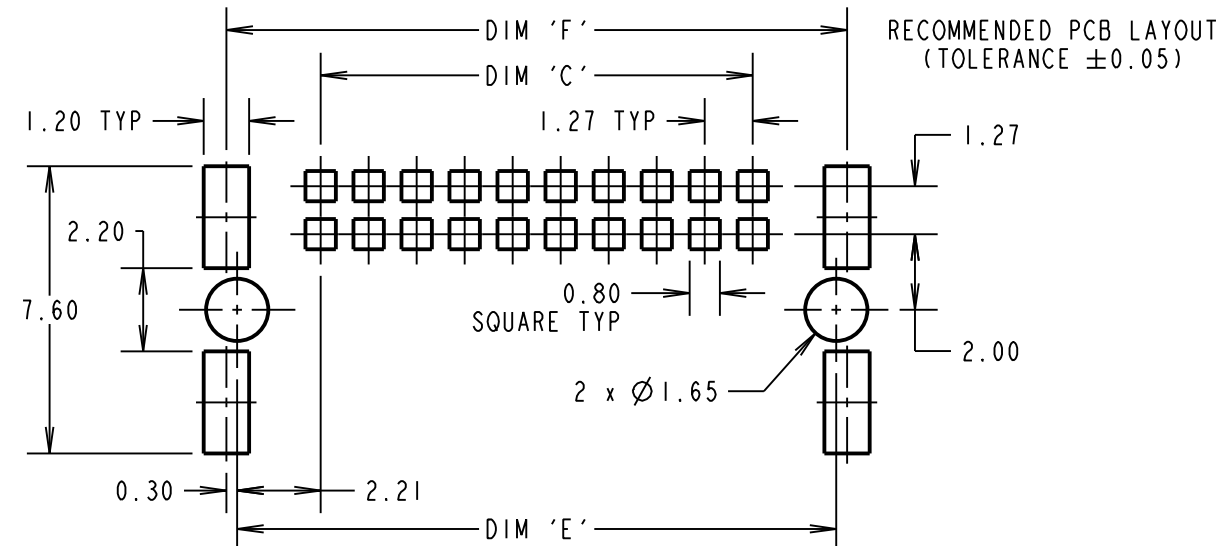
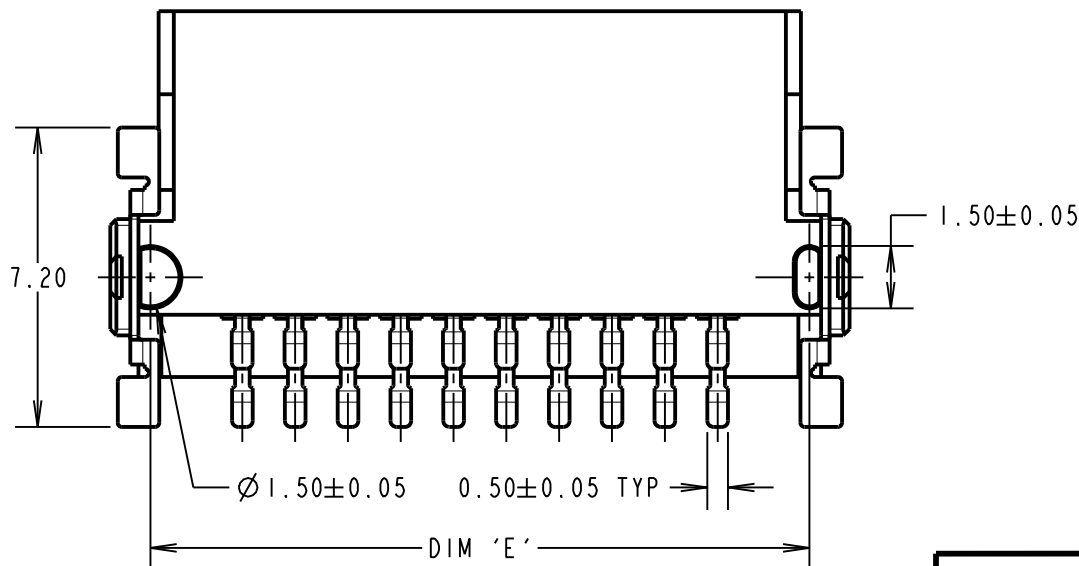
PART No.	DIM 'A'	DIM 'B'	DIM 'C'	DIM 'D'	DIM 'E'	DIM 'F'	DIM 'G'
M55-7101242R	12.70	8.57	6.35	9.57	10.77	11.34	10.37
M55-7101642R	15.24	11.11	8.89	12.11	13.31	13.88	12.91
M55-7102042R	17.78	13.65	11.43	14.65	15.85	16.42	15.45
M55-7102642R	21.59	17.46	15.24	18.46	19.66	20.23	19.26
M55-7103242R	25.40	21.27	19.05	22.27	23.47	24.04	23.07
M55-7104042R	30.48	26.35	24.13	27.35	28.55	29.12	28.15
M55-7105042R	36.83	32.70	30.48	33.70	34.90	35.47	34.50
M55-7106842R	48.26	44.13	41.91	45.13	46.33	46.90	45.93
M55-7108042R	55.88	51.75	49.53	52.75	53.95	54.52	53.55

ORDER CODE:
M55-710XX42R
TOTAL No. OF CONTACTS:
12, 16, 20, 26,
32, 40, 50, 68, 80



0.30	0.10	12 - 50 CONTACTS
	0.15	68 - 80 CONTACTS

SPECIFICATIONS:
MATERIAL:
 Moulding = BLACK LCP, UL94V-0
 CONTACT = PHOSPHOR BRONZE
 RETAINING STRAP = BRASS
PLATING:
 CONTACT = 0.025µm MIN GOLD OVER
 2.03µm MIN NICKEL ON CONTACT AREA,
 2.54µm MIN TIN OVER
 1.27µm MIN NICKEL ON TAILS
 RETAINING STRAP = 2.45µm MIN TIN OVER
 1.01µm MIN NICKEL
ELECTRICAL:
 CURRENT RATING = 1.2A MAX
 CONTACT RESISTANCE = 25mΩ MAX
 INSULATION RESISTANCE = 10GΩ MIN
 VOLTAGE PROOF = 500V AC FOR 1 MIN
MECHANICAL:
 DURABILITY = 500 CYCLES
ENVIRONMENTAL:
 TEMPERATURE RANGE = -55°C TO +125°C



FM	5	25.04.18	21181
NAME	ISS.	DATE	C/NOTE
APPROVED:		F. MCGOWAN	
CHECKED:		S. BENNETT	
DRAWN:		M. PERREN	
CUSTOMER REF.:			
ASSEMBLY DRG.:			

NOTES:
 1. FOR TAPE AND REEL DETAILS, SEE SHEET 4.
 2. ALL TOLERANCES ARE ±0.20mm UNLESS OTHERWISE STATED.
 3. FOR COMPLETE SPECIFICATION SEE COMPONENT SPECIFICATION C047XX (LATEST ISSUE).

HARWIN
 www.harwin.com
 technical@harwin.com

THIS DRAWING AND ANY INFORMATION OR DESCRIPTIVE MATTER SET OUT HEREON ARE CONFIDENTIAL AND COPYRIGHT PROPERTY OF THE HARWIN GROUP AND MUST NOT BE DISCLOSED, LOANED, COPIED OR USED FOR MANUFACTURING, TENDERING OR FOR ANY OTHER PURPOSE WITHOUT THEIR WRITTEN PERMISSION.

TOLERANCES
 X = ±1mm
 X.X = ±0.50mm
 X.XX = ±0.10mm
 X.XXX = ±0.01mm
 ANGLES = ±5°
 UNLESS STATED

MATERIAL:
 SEE ABOVE
FINISH:
 SEE ABOVE
S/AREA:
 mm²

TITLE:
 1.27mm PITCH HORIZONTAL MALE CONNECTOR
DRAWING NUMBER:
M55-710XX42R
 SHT 3 OF 4

Customer Information Sheet

DRAWING No.: M55-710XX42R

IF IN DOUBT - ASK

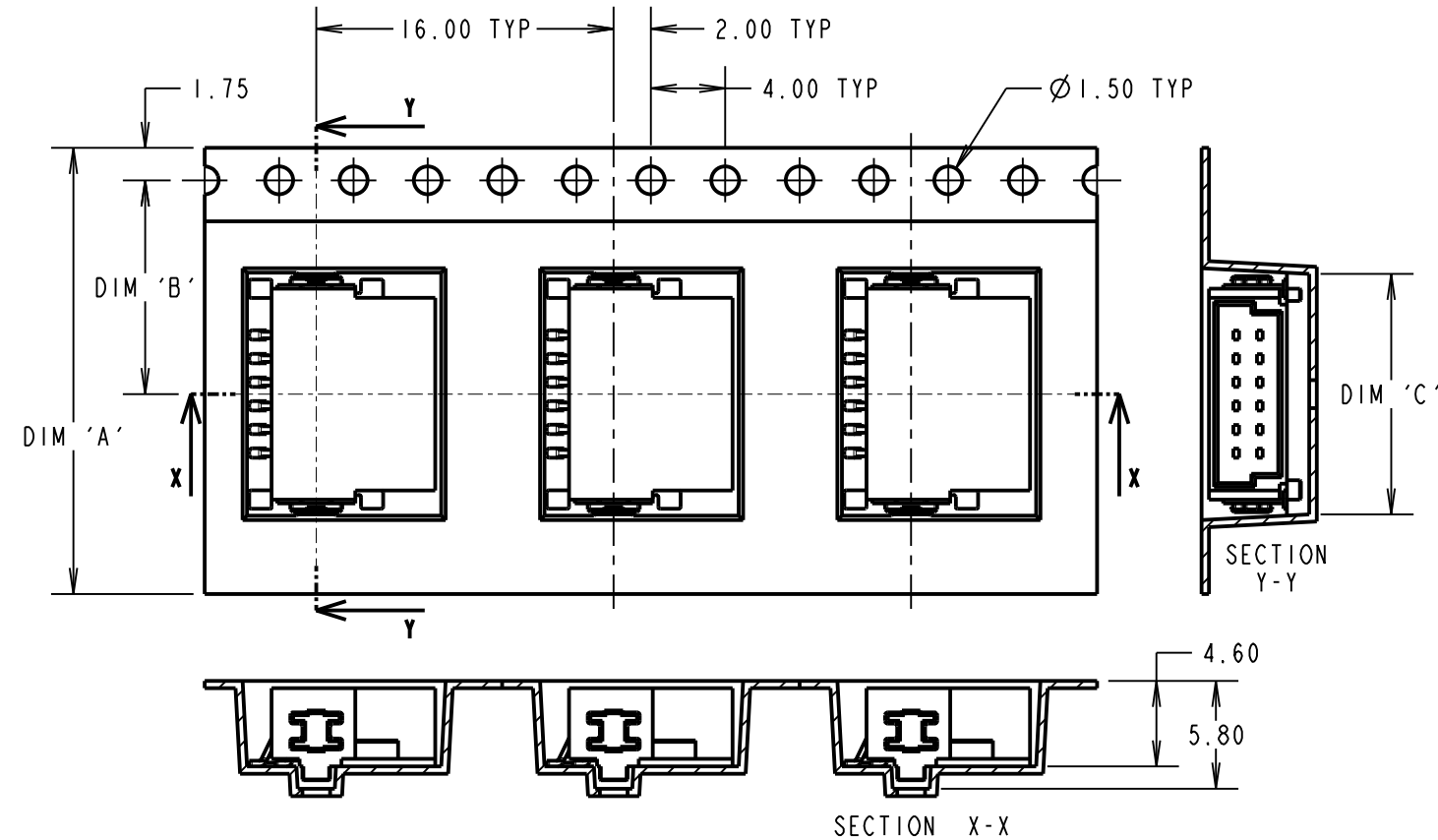
©

NOT TO SCALE

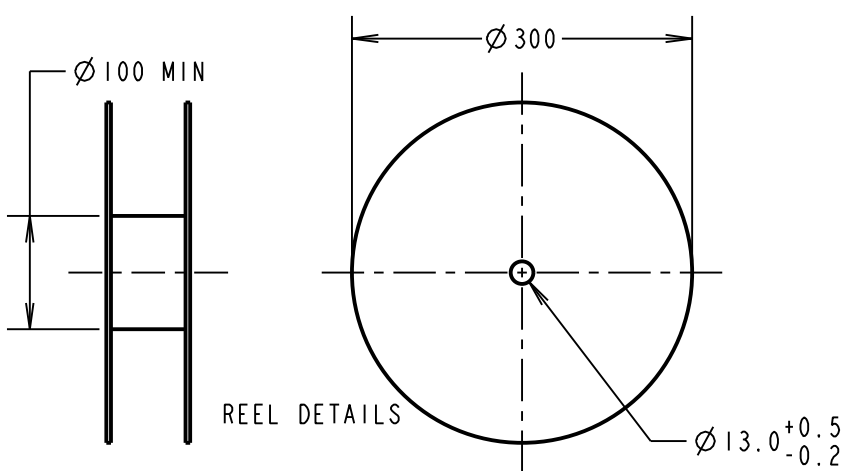
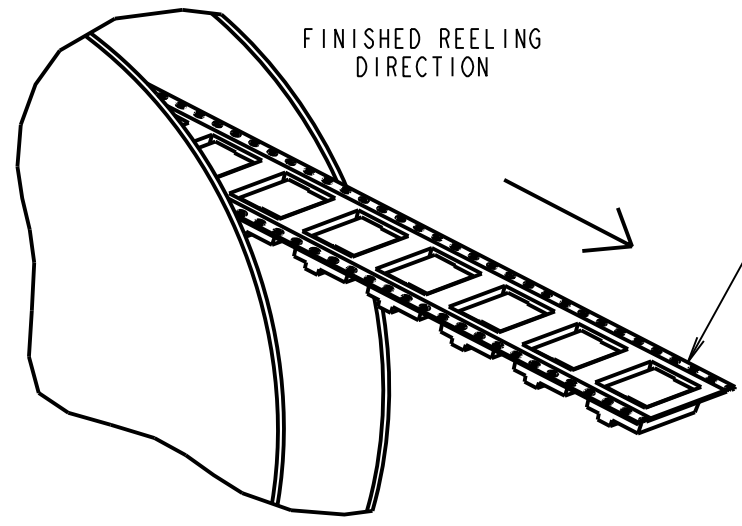
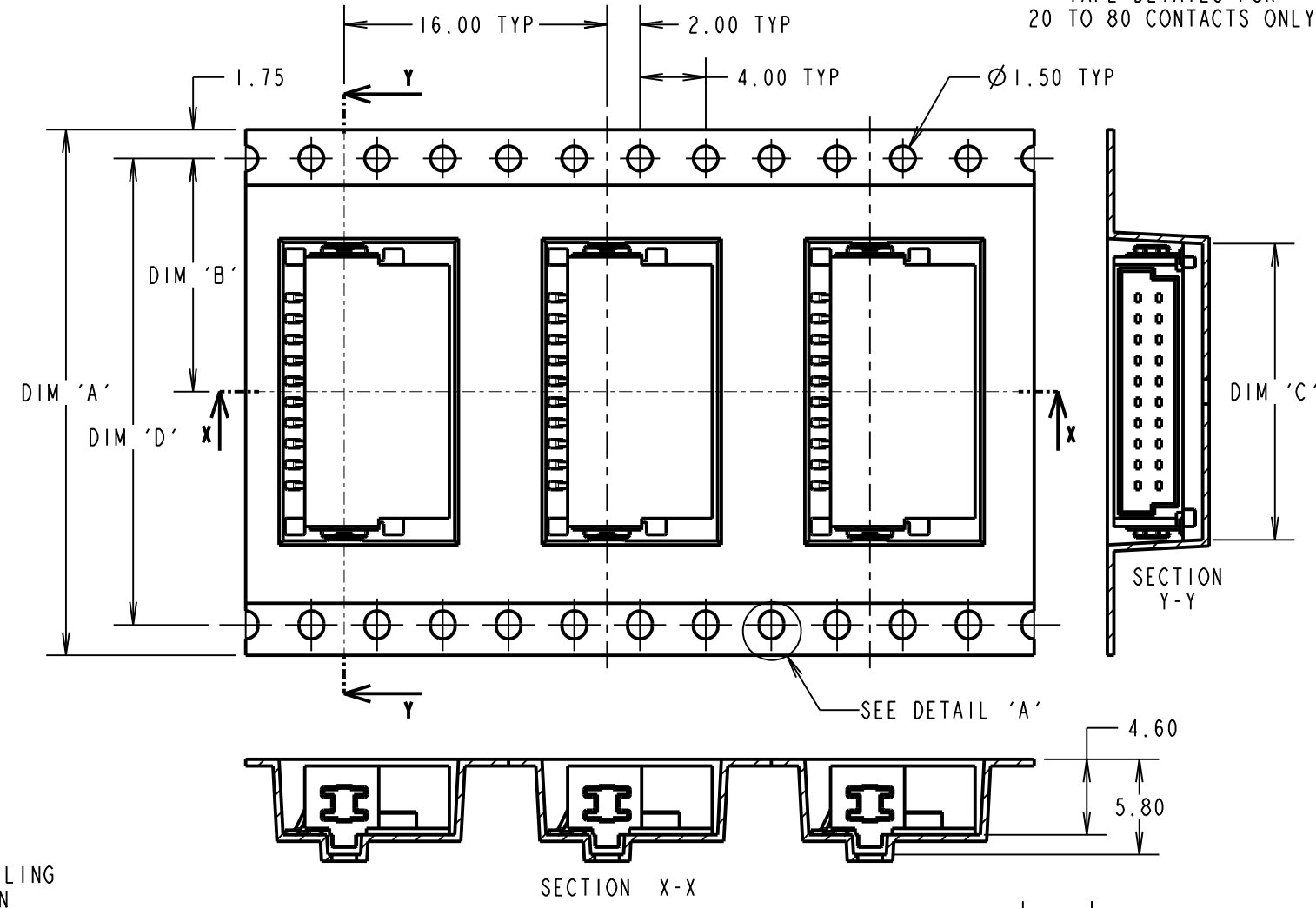
THIRD ANGLE PROJECTION

ALL DIMENSIONS IN mm

TAPE DETAILS FOR
12 & 16 CONTACTS ONLY



TAPE DETAILS FOR
20 TO 80 CONTACTS ONLY



PART No.	DIMENSION				PACK QTY
	DIM 'A' ±0.30	DIM 'B'	DIM 'C' ±0.15	DIM 'D'	
M55-7101242R	24.00	11.50	12.90	N/A	600
M55-7101642R					
M55-7102042R	32.00	14.20	18.00	28.40	
M55-7102642R					
M55-7103242R	44.00	20.20	21.79	40.40	
M55-7104042R					
M55-7105042R	56.00	26.20	37.03	52.40	
M55-7106842R			48.46	68.40	
M55-7108042R	72.00	34.20	56.08		

ORDER CODE:
M55-710XX42R

TOTAL No. OF CONTACTS:
12, 16, 20, 26,
32, 40, 50, 68, 80

FM	5	25.04.18	21181
NAME	ISS.	DATE	C/NOTE
APPROVED:		F. MCGOWAN	
CHECKED:		S. BENNETT	
DRAWN:		M. PERREN	
CUSTOMER REF.:			
ASSEMBLY DRG:			

NOTES:
1. PRODUCT IS TAPE AND REELED IN GENERAL ACCORDANCE WITH EIA-481 (ELECTRICAL INDUSTRIES ASSOCIATION).
2. FOR CONNECTOR DETAILS AND SPECIFICATIONS, SEE SHEET 3.

HARWIN

www.harwin.com
technical@harwin.com

THIS DRAWING AND ANY INFORMATION OR DESCRIPTIVE MATTER SET OUT HEREON ARE CONFIDENTIAL AND COPYRIGHT PROPERTY OF THE HARWIN GROUP AND MUST NOT BE DISCLOSED, LOANED, COPIED OR USED FOR MANUFACTURING, TENDERING OR FOR ANY OTHER PURPOSE WITHOUT THEIR WRITTEN PERMISSION.

TOLERANCES
X. = ±1mm
X.X = ±0.50mm
X.XX = ±0.10mm
X.XXX = ±0.01mm
ANGLES = ±5°
UNLESS STATED

MATERIAL:
SEE SHEET 3
FINISH: SEE SHEET 3
S/AREA: mm²

TITLE:
1.27mm PITCH HORIZONTAL MALE CONNECTOR
DRAWING NUMBER:
M55-710XX42R
SHT 4 OF 4