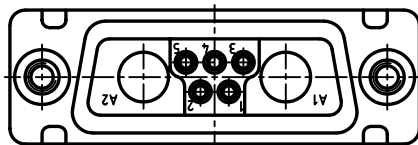
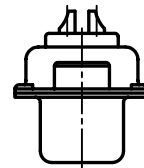
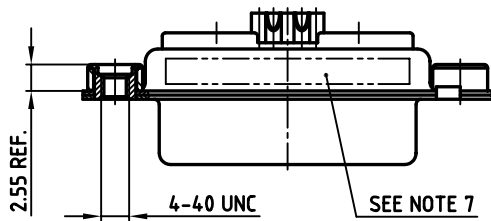
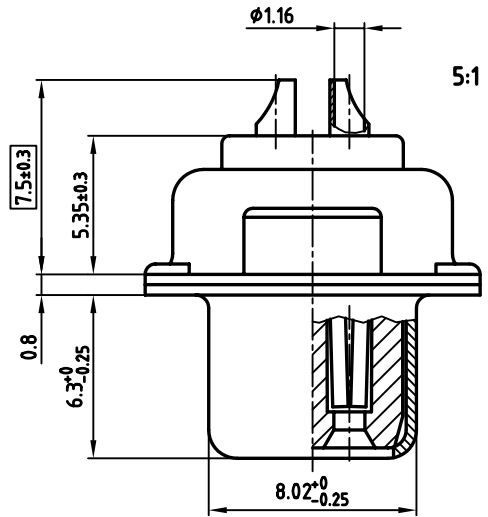
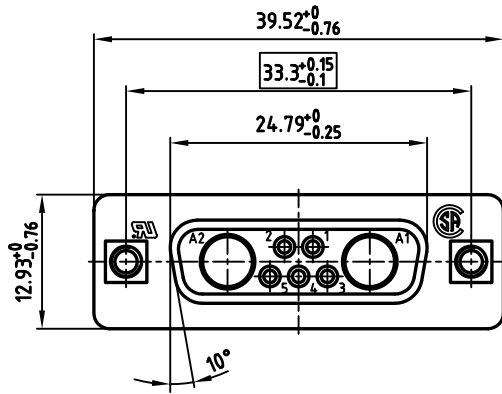


used for: D-SUB COMBINATION



NOTES:

- METALSHELLS: STEEL; min. 320 µ" TIN
- INSULATORS: PBT GF, UL 94 V-0; GREEN
- CONTACTS: COPPER ALLOY
PLATING: MIN. 30µ" HARD GOLD OVER MIN. 50µ" NICKEL
SOLDER CUP ACCEPTS CABLE AWG 20
- THREADED INSERT: COPPER ALLOY; min. 200µ" TIN over 80µ" NICKEL
- COLLAR: COPPER ALLOY; min. 200µ" TIN over 80µ" NICKEL
- MAXIMUM TORQUE VALUE FOR THREAD: 6" LBS
- CONNECTOR IS PART MARKED: 3007W2SCM99A30X CONEC Y/WW
- = CRITICAL DIMENSION

Directive 2002/95/EC
 „RoHS“
 Compliant

THIS DRAWING MAY NOT BE COPIED OR REPRODUCED IN ANY WAY, AND MAY NOT BE PASSED ON TO A THIRD PARTY, WITHOUT WRITTEN PERMISSION.
 OWNERSHIP AND COPYRIGHT OF CONEC GmbH
DO NOT ALTER CAD DRAWING BY HAND

| | | | | |
|-----------|-------------|-------|--|---------------------------------|
| tolerance | | | scale: 2:1 (5:1) | |
| material: | | | SEE NOTES | |
| 2002 | date | name | title: D-SUB COMBINATION FEMALE 7W2S SOLDER CUP with threaded insert | |
| drawn | 11.11. | Parei | | |
| appd. | 11.11. | Kühle | | |
| norm | | | | |
| | | d-old | dwg no: | AutoCAD 2000 |
| | | | 13K2A691 | |
| | | | DIN-A 3 sh: 1/1 | |
| rev. | description | date | name | part no: 3007W2SCM99A30X |

A

A