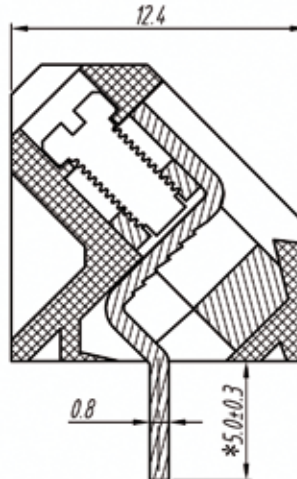
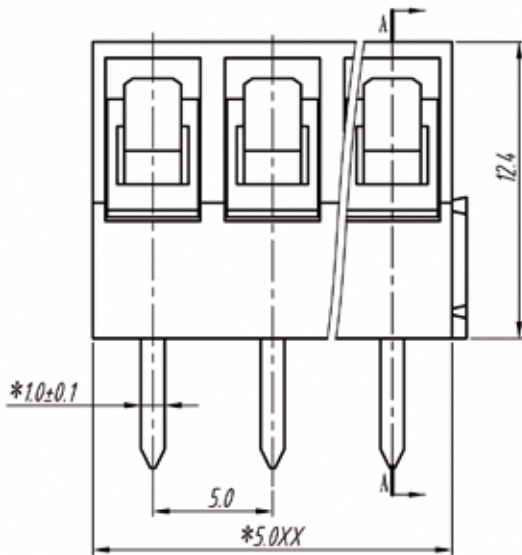
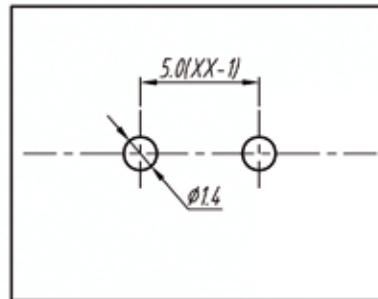


euro-block

product specification



P.C.B.LAYOUT SECTION:A-A



Electrical

Standard: UL-IEC
 Rated voltage: 300V-250V
 Rated current: 16A-24A
 Wire range: 22-14AWG-2.5mm²
 Withstanding voltage: AC2000V/1Min

Mechanical

Torque: 0.4Nm (3.6Lb'in)
 Temp.Range: -40°C~+105°C
 Strip length: 4.5-5mm

Dimensions

Pitch: 5.00mm (0.197")
 Poles: 2p-xxp

Material

Housing: PA66, UL94V-0
 Screws: M2.5, steel, Zinc plated
 Pin header: Brass, Tin plated
 Wire guard: Brass, Ni plated

TOLERANCES EXCEPT AS NOTED

| variable range | linear dimension | | | | fillet | chamfer | short angle sid | | | ≡ | — | □ | // | ⊥ | | |
|----------------|------------------|--------------|----------------|-----------------|--------|-------------|-----------------|---------------|----------------|----------|--------------|----------------|-----------------|------|------|-----|
| | to 6 | over 6 to 30 | over 30 to 120 | over 120 to 480 | all | over 6 to 6 | to 10 | over 10 to 50 | over 50 to 120 | all to 5 | over 5 to 30 | over 30 to 120 | over 120 to 120 | | | |
| tolerance | ±0.1 | ±0.2 | ±0.3 | ±0.5 | ±0.2 | ±0.5 | ±1 | 1' | 30' | 20' | 10' | 0.5 | 0.025 | 0.06 | 0.12 | 0.4 |

| UNITS | mm | SIZE | A4 | SCALE | FIRST ANGLE PROJECTION | |
|-------------------|----|------|----|-------|------------------------|-----------------|
| euro-block | | | | | | |
| | | | | | NAME | BRI52-A4 |