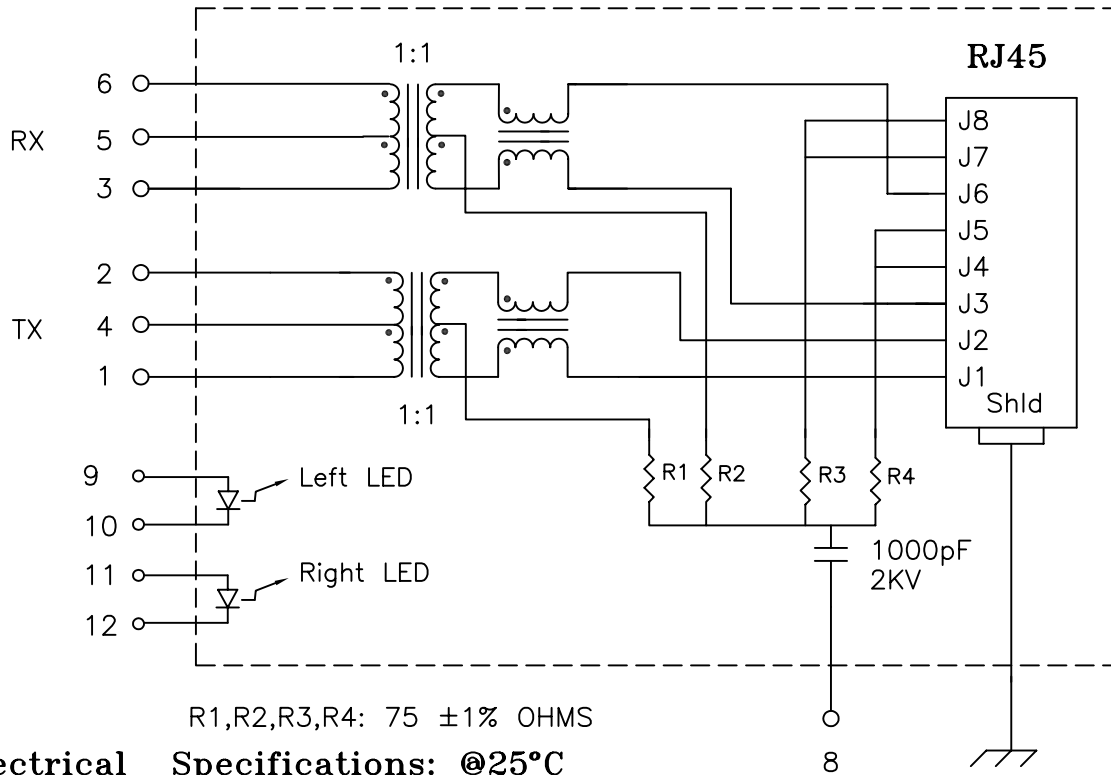


**Schematic:**

(One of Four)



**Electrical Specifications: @25°C**

- Isolation Voltage: 1500 Vac
- Isolation Voltage: 500 Vac (1+2+4 to 3+5+6)
- UTP SIDE OCL: 350uH Min @100KHz 100mV 8mADC
- Leakage Inductance: P6–P3 0.3uH Max @1MHz 100mV Short J6 and J3
- Leakage Inductance: P2–P1 0.3uH Max @1MHz 100mV Short J2 and J1
- Cww: (P6, P5, & P3) to (J6 & J3) 30pF Max @1MHz 100mV
- Cww: (P2, P4, & P1) to (J2 & J1) 30pF Max @1MHz 100mV
- DCR: (J6–J3) = (J2–J1) 1.2 Ohms Max
- Rise Time (10–90%): 2.5ns Typ
- Insertion Loss (100KHz–100MHz): –1.2dB Max
- Return Loss: –18dB Min @1MHz – 30MHz
- Return Loss: –12dB Min @60MHz – 80MHz
- Crosstalk: 40dB Typ @1MHz to 100MHz
- Common Mode to Differential Mode Rejection:  
30MHz–100MHz –35dB Typ (Tx) / –35dB Typ (Rx)
- Q: 18 Min @100KHz 100mV

**Notes:**

1. Solderability: Leads shall meet MIL–STD–202G, Method 208H for solderability.
2. Flammability: UL94V–0
3. ASTM oxygen index: > 28%
4. Insulation System: Class F 155°C. UL file E165866
5. Operating Temperature Range: All listed parameters are to be within tolerance from –40°C to +85°C
6. Storage Temperature Range: –55°C to +125°C
7. Aqueous wash compatible
8. Electrical and mechanical specifications 100% tested
9. RoHS Compliant Component
10. RJ45 contacts have 30u of gold plating.

DOC. REV: A/8

Complete the Combo P/N as follows:

Replace 'x' & 'u' in the part number with one of the LED color letters:

Y=Yellow	'x' = Left LED Color
G=Green	'u' = Right LED Color
A=Amber	
R=Red	
C=Green(1)/Amber(2) Bicolor	
D=Amber(1)/Green(2) Bicolor	
M=Green(1)/Yellow(2) Bicolor	
N=Yellow(1)/Green(2) Bicolor	
P=Red(1)/Green(2) Bicolor	
Q=Green(1)/Red(2) Bicolor	

Single Color LED:

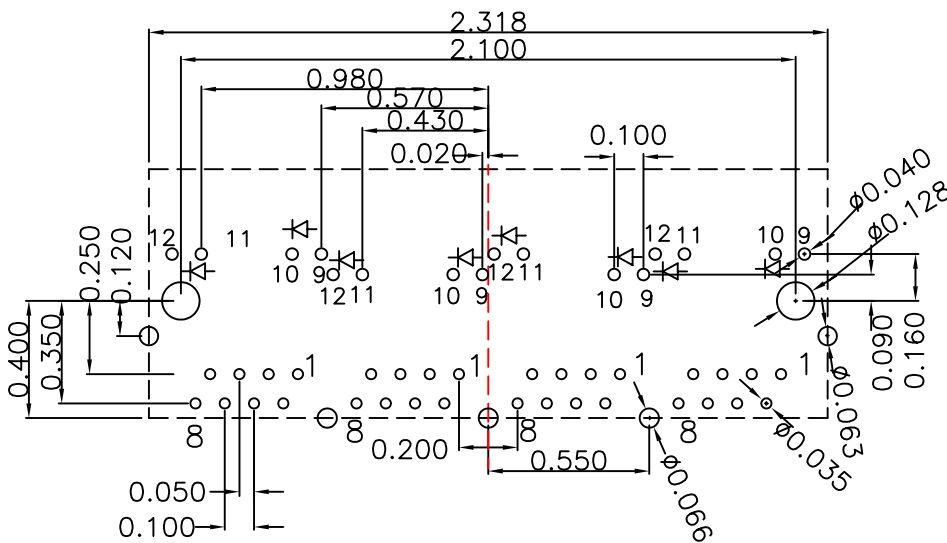
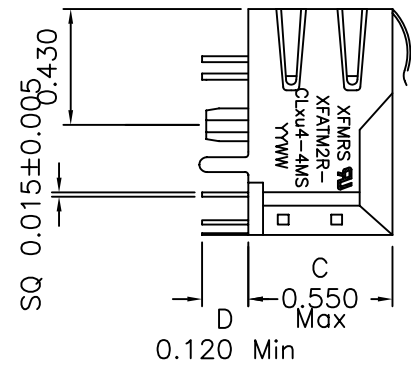
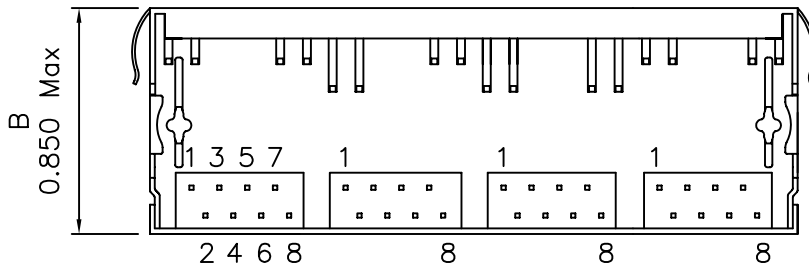
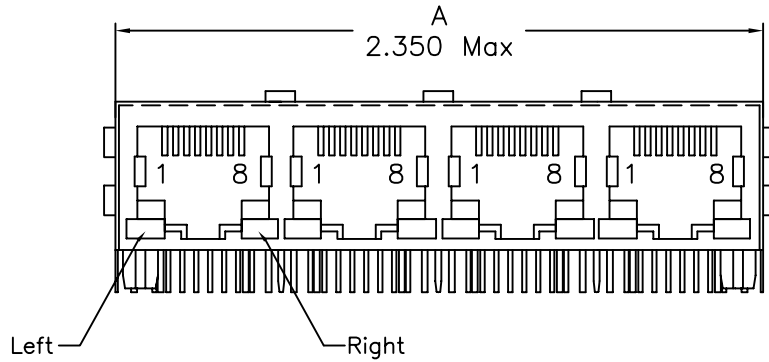
Bi-Color LED:

**PROPRIETARY:**

Document is the property of XFMRs Group & is not allowed to be duplicated without authorization.

<b>XFMRs Inc</b> www.XFMRs.com	Title: <b>FOUR PORT COMBO w/ LED's</b>			
	UNLESS OTHERWISE SPECIFIED TOLERANCES: .xxx ±0.010	P/N: XFATM2R–CLxu4–4MS	REV. A	
Dimensions in Inch	DWN.	Feng	Aug–15–11	
	CHK.	YK Liao	Aug–15–11	
SHEET 1 OF 2	APP.	BW	Aug–15–11	

# Mechanical Dimensions: (FOR CLxu4-4MS)



SUGGESTED MOUNTING PATTERN

DOC. REV: A/8

**XFMRS Inc**  
www.XFMRS.com

UNLESS OTHERWISE SPECIFIED  
TOLERANCES:  
.xxx  $\pm 0.010$   
Dimensions in Inch

SHEET 2 OF 2

Title:

**FOUR PORT COMBO w/ LED's**

P/N: XFATM2R-CLxu4-4MS

REV. A

DWN.

Feng

Aug-15-11

CHK.

YK Liao

Aug-15-11

APP.

BW

Aug-15-11

**PROPRIETARY:**

Document is the property of XFMRS Group & is not allowed to be duplicated without authorization.