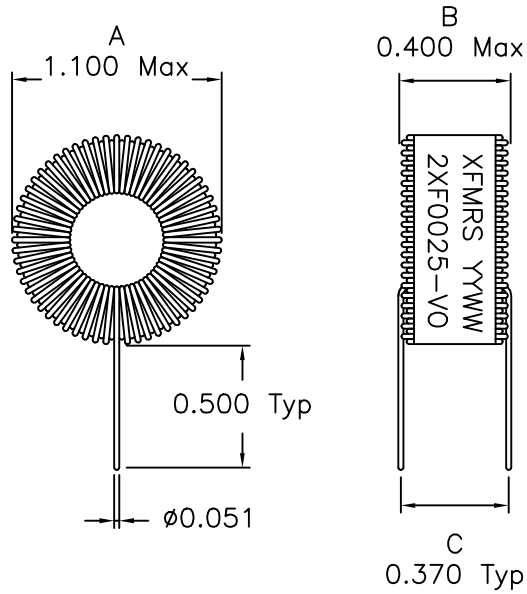


### 1. Mechanical Dimensions:



### 2. Schematic:



### 3. Electrical Specifications:

Inductance: 25.0uH ±10% @1.0KHz,1.0V

Inductance: 15.0uH Min @1.0KHz,1.0V 6Adc

DC Resistance: 0.020 Ohms Max.

Note:

1. Solderability: Leads shall meet MIL-STD-202, Method 208D for solderability.
2. Flammability: UL94V-0,
3. ASTM oxygen index: > 28% ,
4. Temperature rating: 155°C. UL file E151556,
5. Operating Temperature Range: All listed parameters are to be within tolerance from -40°C to +85°C
6. the tinned length is the same as the lead length.

DOC. REV. A/2

<b>XFMRs Inc.</b> UNLESS OTHERWISE SPECIFIED TOLERANCES: .xxx ±0.010 Dimensions in Inch	Title: Toroid Inductor		
	P/N: 2XF0025-V0		REV. A
	DWN.	廖玉坤	Nov-30-00
	CHK.	李清儿	Nov-30-00
SHEET 1 OF 1	APP.	Joe Huff	Nov-30-00