

**PLEASE CHECK WWW.MOLEX.COM FOR LATEST PART INFORMATION**

**Part Number:** [0743370066](#)  
**Status:** **Active**  
**Description:** 0.80mm (.031") Pitch Ultra+™ VHDCI Receptacle, Stacked, Right Angle, Press-Fit PCB Retention Option, 136 Circuits, without Screw Locks, with Cover, for 1.6mm (.062") PCB Thickness

**Documents:**

[3D Model](#) [Product Specification PS-71425-9999 \(PDF\)](#)  
[Drawing \(PDF\)](#) [RoHS Certificate of Compliance \(PDF\)](#)

**Agency Certification**

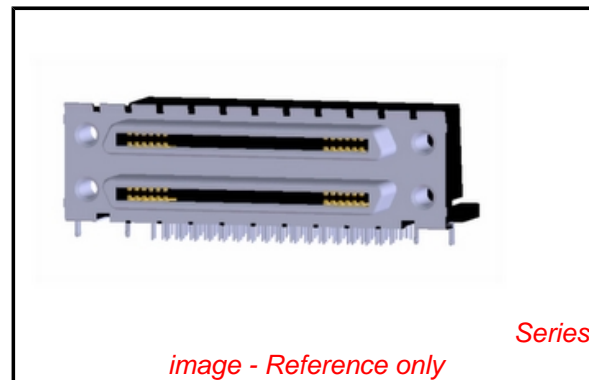
CSA LR19980  
 UL E29179

**General**

Product Family I/O Connectors  
 Series [74337](#)  
 Application Wire-to-Board  
 Comments Tail cover included|jackscrew hardware not included  
 Component Type Receptacle  
 Product Name SCSI+, VHDCI  
 Type N/A

**Physical**

Boot Color N/A  
 Circuits (Loaded) 136  
 Circuits (maximum) 136  
 Color - Resin Black  
 Durability (mating cycles max) 500  
 Flammability 94V-0  
 Gender Female  
 Lock to Mating Part Yes  
 Material - Metal Brass  
 Material - Plating Mating Tin  
 Material - Plating Termination Tin  
 Material - Resin High Temperature Thermoplastic  
 Number of Rows 4  
 Orientation Right Angle  
 PC Tail Length (in) 0.082 In  
 PC Tail Length (mm) 2.08 mm  
 PCB Locator Yes  
 PCB Retention Yes  
 PCB Thickness Recommended (in) 0.063 In  
 PCB Thickness Recommended (mm) 1.60 mm  
 Packaging Type Tray  
 Panel Mount Yes  
 Pitch - Mating Interface (in) 0.031 In  
 Pitch - Mating Interface (mm) 0.80 mm  
 Pitch - Term. Interface (in) 0.031 In  
 Pitch - Term. Interface (mm) 0.80 mm  
 Plating min: Mating (µin) 40  
 Plating min: Mating (µm) 1.00  
 Plating min: Termination (µin) 40  
 Plating min: Termination (µm) 1.00  
 Polarized to Mating Part Yes  
 Polarized to PCB Yes



**EU RoHS**  
**RoHS Compliant by Exemption**  
**REACH SVHC**  
 Not Reviewed  
**Halogen-Free**  
**Status**  
**Not Reviewed**



**Need more information on product environmental compliance?**

Email [productcompliance@molex.com](mailto:productcompliance@molex.com)  
 For a multiple part number RoHS Certificate of Compliance, [click here](#)

Please visit the [Contact Us](#) section for any non-product compliance questions.

**Search Parts in this Series**  
[74337Series](#)

**Mates With**  
[71425 Ultra+™ VHDCI Plug Kit](#)

|                                |                |
|--------------------------------|----------------|
| Ports                          | 2              |
| Surface Mount Compatible (SMC) | Yes            |
| Temperature Range - Operating  | -55°C to +85°C |
| Termination Interface: Style   | Through Hole   |
| Waterproof / Dustproof         | No             |
| Wire Size AWG                  | N/A            |

### **Electrical**

|                               |                 |
|-------------------------------|-----------------|
| Current - Maximum per Contact | 0.5A            |
| Grounding to Panel            | Screw Hole      |
| Shield Type                   | Full Shield     |
| Shielded                      | Yes             |
| Voltage - Maximum             | 30V AC (RMS)/DC |

### **Solder Process Data**

|  |                        |
|--|------------------------|
| Duration at Max. Process Temperature (seconds) | 40                     |
| Lead-free Process Capability                   | Wave Capable (TH only) |
| Max. Cycles at Max. Process Temperature        | 3                      |
| Process Temperature max. C                     | 245                    |

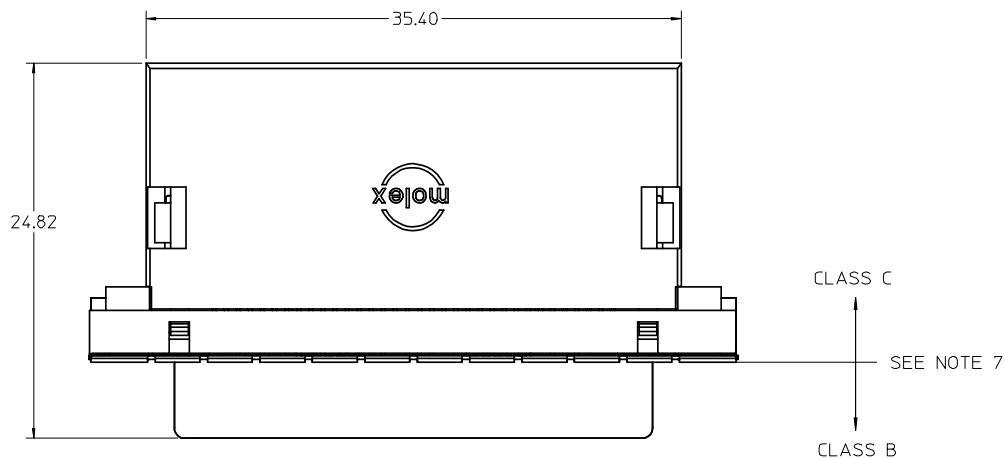
### **Material Info**

#### **Reference - Drawing Numbers**

|                         |               |
|-------------------------|---------------|
| Packaging Specification | PK-74337-001  |
| Product Specification   | PS-71425-9999 |
| Sales Drawing           | SD-74337-014  |

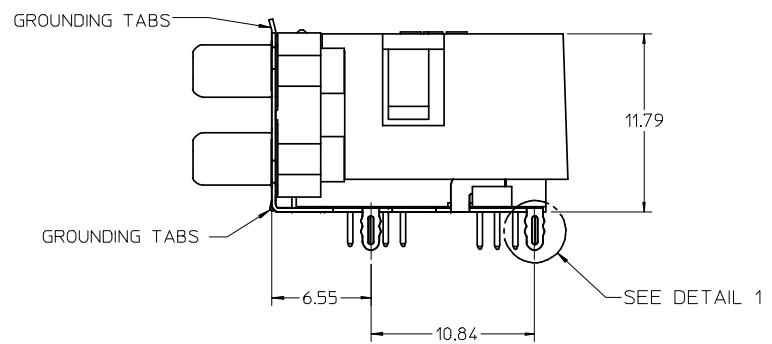
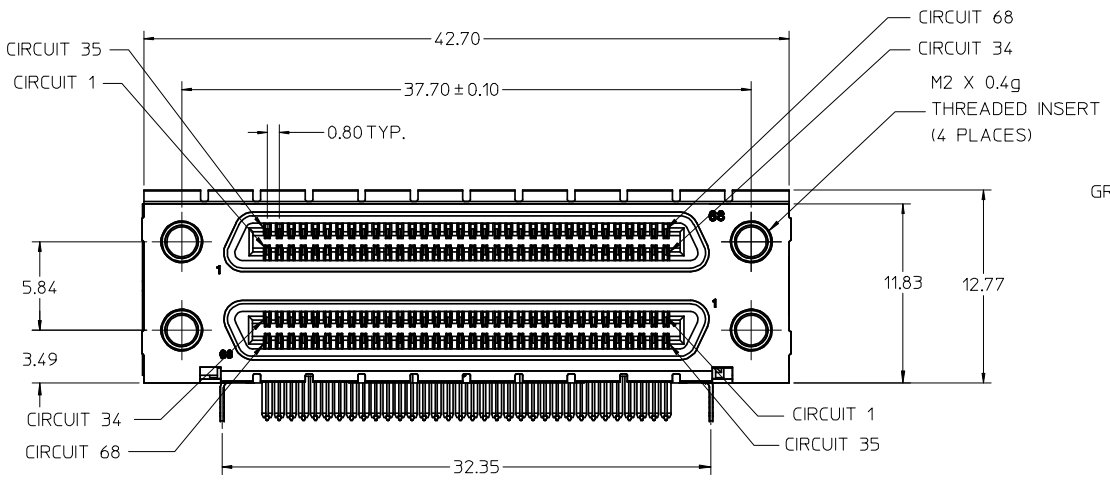
This document was generated on 05/28/2010

**PLEASE CHECK [WWW.MOLEX.COM](http://WWW.MOLEX.COM) FOR LATEST PART INFORMATION**

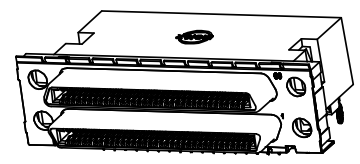


NOTES:

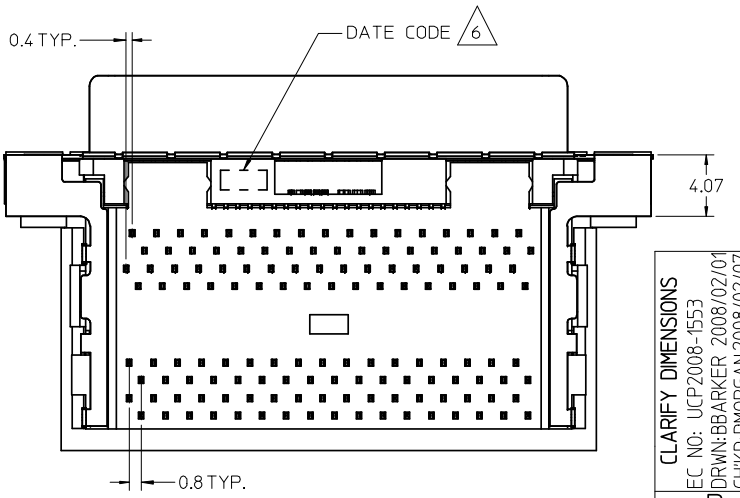
1. MATERIALS:  
HOUSING, COVER, AND TAIL ALIGNER: HIGH TEMPERATURE THERMOPLASTIC, UL94, V-0 RATED, COLOR: BLACK  
TERMINAL: PHOSPHOR BRONZE ALLOY  
BRACKET: BRASS  
SHELL: STEEL  
INSERT: BRASS
2. FINISHES:  
TERMINAL: 0.05-0.25 MICROMETERS GOLD FLASH IN CRITICAL AREA OVER 0.75 MICROMETERS MINIMUM PALLADIUM NICKEL IN CRITICAL AREA, 1.87 MICROMETERS MINIMUM TIN IN SOLDER TAIL AREA, ALL OVER NICKEL.  
BRACKET: 5.0 MICROMETERS MINIMUM BRIGHT TIN.  
SHIELD: 3.81 MICROMETERS MINIMUM BRIGHT TIN OVER 1.27 MICROMETERS MINIMUM NICKEL OVER COPPER FLASH (OPTIONAL).  
INSERT: 2.54 MICROMETERS MINIMUM NICKEL.
3. PRODUCT SPECIFICATION: PS-71425-9999.
4. PACKAGING SPECIFICATION: TRAY PACK PER PK-74337-001.
5. APPLICABLE STANDARDS: EIA-700AAAF AND SFF-8441.
6. DATE CODE: YR/WK PER EIA-476-A.
7. PRODUCT COMPLIES WITH COSMETIC SPECIFICATION PS-45499-002. SEE FIGURE AT LEFT FOR SURFACE CLASSIFICATIONS.
8. TORQUE TO INSTALL SCREWLOCKS INTO THREADED INSERTS: 0.34 Nm MAXIMUM.



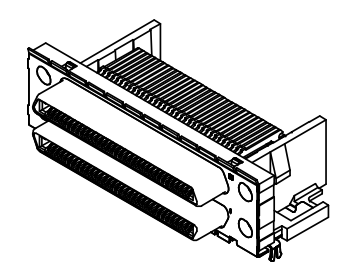
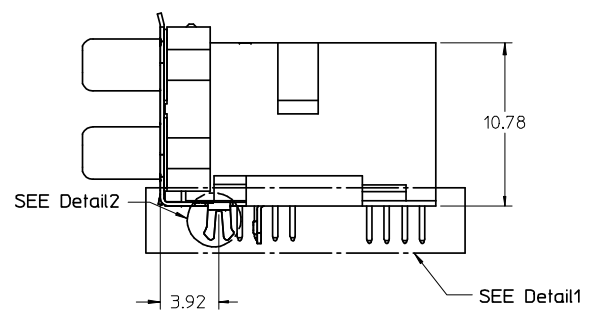
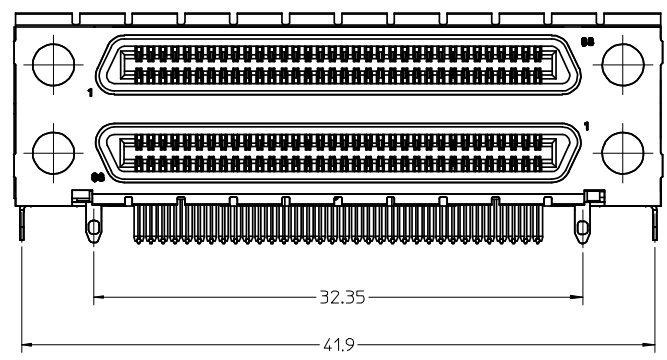
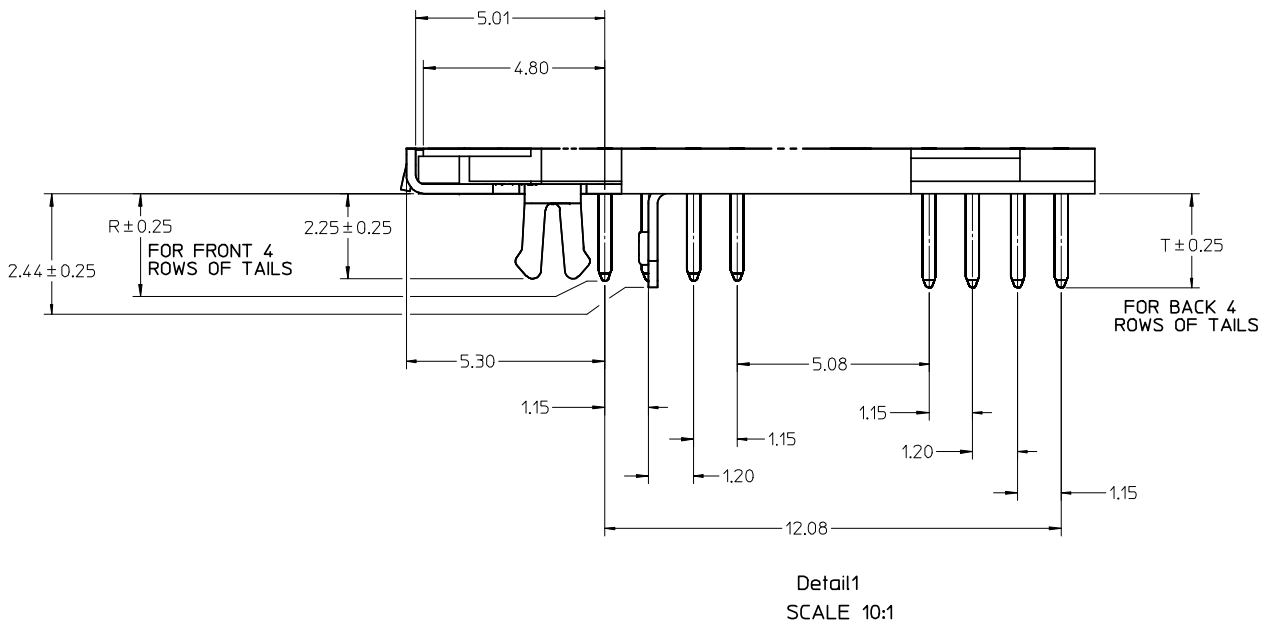
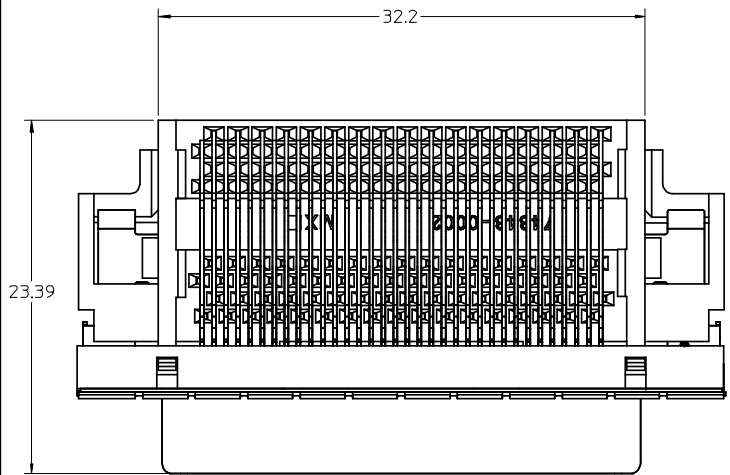
PRESS FIT FORKLOCK SHOWN (VERSION 4)



WITH COVER OPTION

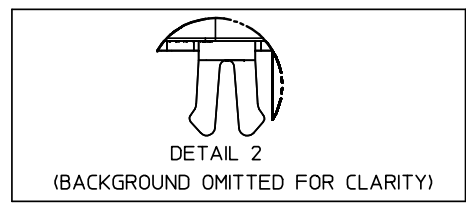


| <b>CLARIFY DIMENSIONS</b><br>EC NO: UCP2008-1553<br>DRWN:BBARKER 2008/02/01<br>CHKD:DMORGAN 2008/02/07<br>APPR:SMILLER 2008/02/08 | QUALITY SYMBOLS<br>▽ = 0<br>▽C = 0 | GENERAL TOLERANCES (UNLESS SPECIFIED)<br><table border="1"> <thead> <tr> <th></th> <th>mm</th> <th>INCH</th> </tr> </thead> <tbody> <tr> <td>4 PLACES</td> <td>± ---</td> <td>± ---</td> </tr> <tr> <td>3 PLACES</td> <td>± ---</td> <td>± ---</td> </tr> <tr> <td>2 PLACES</td> <td>± 0.13</td> <td>± ---</td> </tr> <tr> <td>1 PLACE</td> <td>± 0.25</td> <td>± ---</td> </tr> </tbody> </table> |   | mm                           | INCH | 4 PLACES | ± --- | ± --- | 3 PLACES | ± --- | ± --- | 2 PLACES | ± 0.13 | ± --- | 1 PLACE | ± 0.25 | ± --- | SCALE 3:1<br>DESIGN UNITS METRIC<br>DIMENSION STYLE MM ONLY | THIRD ANGLE PROJECTION<br>REVISE ON CAD ONLY |
|---|------------------------------------|--|---|------------------------------|------|----------|-------|-------|----------|-------|-------|----------|--------|-------|---------|--------|-------|---|--|
|   |                                    | mm   | INCH  |                              |      |          |       |       |          |       |       |          |        |       |         |        |       |   |  |
|   | 4 PLACES                           | ± ---  | ± ---   |                              |      |          |       |       |          |       |       |          |        |       |         |        |       |   |  |
|   | 3 PLACES                           | ± ---  | ± ---   |                              |      |          |       |       |          |       |       |          |        |       |         |        |       |   |  |
| 2 PLACES  | ± 0.13                             | ± ---  |   |                              |      |          |       |       |          |       |       |          |        |       |         |        |       |   |  |
| 1 PLACE   | ± 0.25                             | ± ---  |   |                              |      |          |       |       |          |       |       |          |        |       |         |        |       |   |  |
|   |                                    | DRAFT WHERE APPLICABLE MUST REMAIN WITHIN DIMENSIONS   | DRAWN BY SSAMPSON<br>DATE 05.08.2001<br>CHECKED BY MBANAKIS<br>DATE 05.08.2001<br>APPROVED BY MBANAKIS<br>DATE 05.08.2001     | TITLE VHDCI STACKED ASSEMBLY |      |          |       |       |          |       |       |          |        |       |         |        |       |   |  |
|   |                                    |  | MATERIAL NO. SEE TABLE<br>DOCUMENT NO. SD-74337-014<br>SHEET NO. 1 OF 4   | MOLEX INCORPORATED           |      |          |       |       |          |       |       |          |        |       |         |        |       |   |  |
|   |                                    |  | THIS DRAWING CONTAINS INFORMATION THAT IS PROPRIETARY TO MOLEX INCORPORATED AND SHOULD NOT BE USED WITHOUT WRITTEN PERMISSION |                              |      |          |       |       |          |       |       |          |        |       |         |        |       |   |  |



|  |          |                                    |                                       |   |                         |                             |                        |                           |
|--|----------|------------------------------------|---------------------------------------|---|-------------------------|-----------------------------|------------------------|---------------------------|
| CLARIFY DIMENSIONS<br>EC NO: UCP2008-1553<br>DRWN:BBARKER 2008/02/01<br>CHKD:DMORGAN 2008/02/07<br>APPR:SMILLER 2008/02/08 |          | QUALITY SYMBOLS<br>▽ = 0<br>▽C = 0 | GENERAL TOLERANCES (UNLESS SPECIFIED) |   | SCALE 4:1               | DESIGN UNITS METRIC         | THIRD ANGLE PROJECTION | REVISE ON CAD ONLY        |
|  |          |                                    | mm                                    | INCH  | DIMENSION STYLE MM ONLY |                             |                        |                           |
| REV  | 4 PLACES | ± ---                              | ± ---                                 | DRAWN BY SSAMPSON   | DATE 05.08.2001         | TITLE VHCI STACKED ASSEMBLY |                        |                           |
|  | 3 PLACES | ± ---                              | ± ---                                 | CHECKED BY MBANAKIS   | DATE 05.08.2001         |                             |                        |                           |
|  | 2 PLACES | ± 0.13                             | ± ---                                 | APPROVED BY DATE MBANAKIS 05.08.2001  |                         | MATERIAL NO. SEE TABLE      |                        | DOCUMENT NO. SD-74337-014 |
|  | 1 PLACE  | ± 0.25                             | ± ---                                 | DRAFT WHERE APPLICABLE MUST REMAIN WITHIN DIMENSIONS  |                         | SHEET NO. 2 OF 4            |                        |                           |
|  |          |                                    |                                       | THIS DRAWING CONTAINS INFORMATION THAT IS PROPRIETARY TO MOLEX INCORPORATED AND SHOULD NOT BE USED WITHOUT WRITTEN PERMISSION |                         |                             |                        |                           |

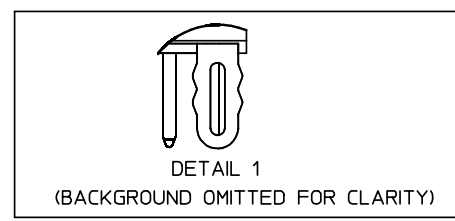
### VERSION 1 PART NUMBERS



BOARD RETENTION: SNAP FIT

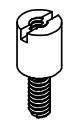
| PCB THICKNESS | COVER | R DIM. | T DIM. | INCLUDES LOOSE PACKED SCREWLOCKS 71433-0002 SEE DRAWING SD-71433-005 | GROUNDING TABS | PART NUMBER |
|---------------|-------|--------|--------|--|----------------|-------------|
| 1.60±0.16     | YES   | 2.30   | 2.48   | NO   | YES            | 74337-0011  |
| 1.60±0.16     | YES   | 2.08   |        | NO   | YES            | 74337-0012  |
| 1.60±0.16     | NO    | 2.30   | 2.48   | NO   | YES            | 74337-0015  |
| 1.60±0.16     | NO    | 2.08   |        | NO   | YES            | 74337-0016  |
| 1.60±0.16     | YES   | 2.30   | 2.48   | YES  | YES            | 74337-0037  |
| 1.60±0.16     | YES   | 2.08   |        | YES  | YES            | 74337-0038  |
| 1.60±0.16     | NO    | 2.30   | 2.48   | YES  | YES            | 74337-0039  |
| 1.60±0.16     | NO    | 2.08   |        | YES  | YES            | 74337-0040  |
| 2.36±0.16     | YES   | 3.44   | 3.62   | NO   | YES            | 74337-0070  |
| 2.36±0.16     | NO    | 3.44   | 3.62   | NO   | YES            | 74337-0071  |
| 2.36±0.16     | YES   | 3.44   | 3.62   | YES  | YES            | 74337-0072  |
| 2.36±0.16     | NO    | 3.44   | 3.62   | YES  | YES            | 74337-0073  |
| 1.60±0.16     | YES   | 2.08   |        | INSTALLED ON PART  | YES            | 74337-1038  |

### VERSION 4 PART NUMBERS



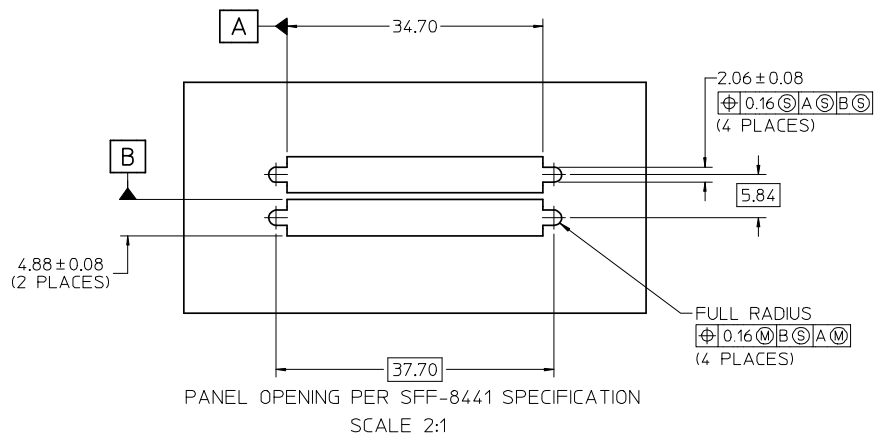
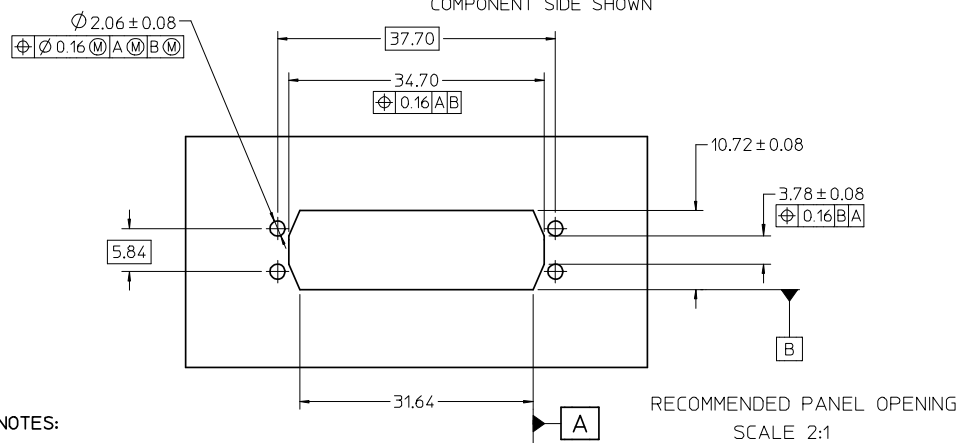
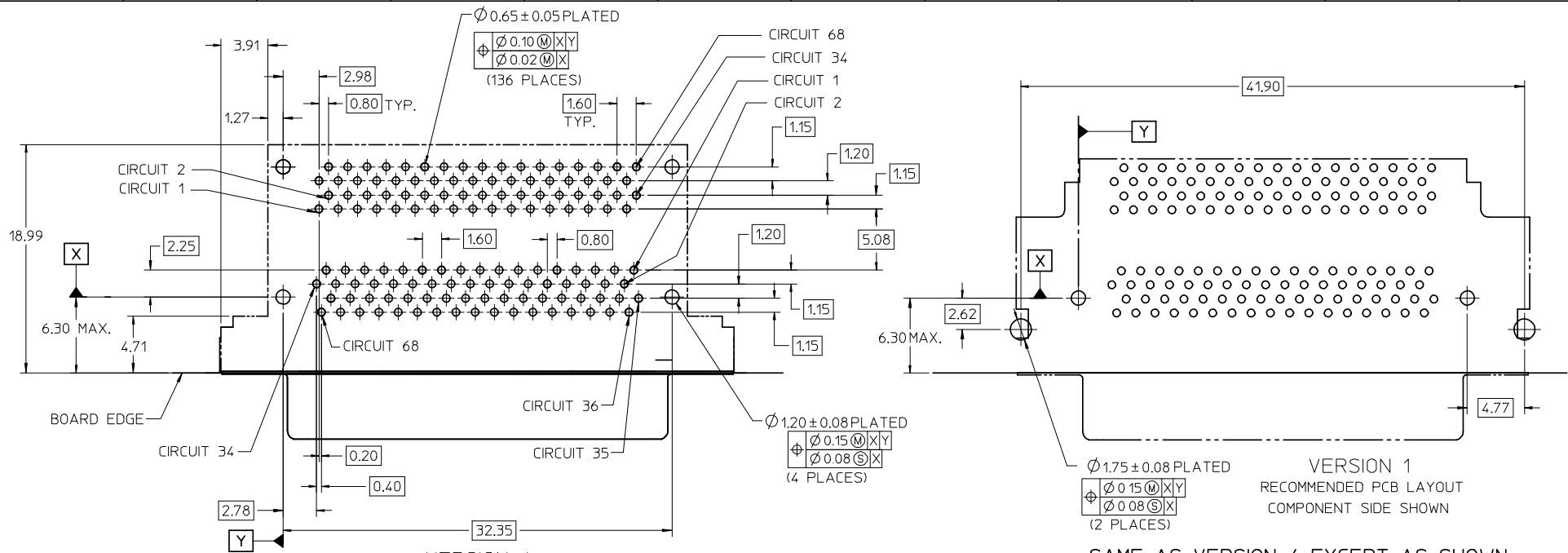
BOARD RETENTION: PRESS FIT

| PCB THICKNESS | COVER | R DIM. | T DIM. | INCLUDES LOOSE PACKED SCREWLOCKS 71433-0002 SEE DRAWING SD-71433-005 | GROUNDING TABS | PART NUMBER |
|---------------|-------|--------|--------|--|----------------|-------------|
| 1.60±0.16     | YES   | 2.30   | 2.48   | NO   | YES            | 74337-0050  |
| 1.60±0.16     | YES   | 2.08   |        | NO   | NO             | 74337-0051  |
| 1.60±0.16     | NO    | 2.30   | 2.48   | NO   | YES            | 74337-0060  |
| 1.60±0.16     | NO    | 2.08   |        | NO   | YES            | 74337-0061  |
| 1.60±0.16     | YES   | 2.08   |        | NO   | YES            | 74337-0066  |
| 1.60±0.16     | YES   | 2.30   | 2.48   | YES  | YES            | 74337-0053  |
| 1.60±0.16     | YES   | 2.08   |        | YES  | YES            | 74337-0054  |
| 1.60±0.16     | NO    | 2.30   | 2.48   | YES  | YES            | 74337-0063  |
| 1.60±0.16     | NO    | 2.08   |        | YES  | YES            | 74337-0064  |
| 2.36±0.16     | YES   | 3.44   | 3.62   | NO   | YES            | 74337-0052  |
| 2.36±0.16     | NO    | 3.44   | 3.62   | NO   | YES            | 74337-0062  |
| 2.36±0.16     | YES   | 3.44   | 3.62   | YES  | YES            | 74337-0055  |
| 2.36±0.16     | NO    | 3.44   | 3.62   | YES  | YES            | 74337-0065  |
| 1.60±0.16     | YES   | 2.08   |        | INSTALLED ON PART  | YES            | 74337-1054  |



OPTIONAL SCREWLOCK  
71433-0002

|   |                 |  |                |   |                        |                              |
|---|-----------------|--|----------------|---|------------------------|------------------------------|
| CLARIFY DIMENSIONS<br>EC NO: UCP2008-1553<br>DRWN:BBARKER 2008/02/01<br>CHKD:DMORGAN 2008/02/07<br>APPR: SMILLER 2008/02/08 | QUALITY SYMBOLS | GENERAL TOLERANCES (UNLESS SPECIFIED)                | SCALE 3:1      | DESIGN UNITS METRIC   | THIRD ANGLE PROJECTION | REVISE ON CAD ONLY           |
|   | ▼ = 0<br>∇ = 0  | mm   | INCH           | DIMENSION STYLE MM ONLY   |                        | TITLE VHDCI STACKED ASSEMBLY |
|   |                 | 4 PLACES ± ---                                       | ± ---          | DRAWN BY SSAMPSON   | DATE 05.08.2001        |                              |
|   | R               | REV  | 3 PLACES ± --- | ± ---   | CHECKED BY MBANAKIS    | DATE 05.08.2001              |
| 2 PLACES ± 0.13   |                 |  | ± ---          | APPROVED BY MBANAKIS  | DATE 05.08.2001        |                              |
|   |                 | 1 PLACE ± 0.25                                       | ± ---          | THIS DRAWING CONTAINS INFORMATION THAT IS PROPRIETARY TO MOLEX INCORPORATED AND SHOULD NOT BE USED WITHOUT WRITTEN PERMISSION |                        |                              |
|   |                 | ANGULAR ± 1°   |                |   |                        |                              |
|   |                 | DRAFT WHERE APPLICABLE MUST REMAIN WITHIN DIMENSIONS |                |   |                        |                              |



NOTES:

- FOR FULL MATE WITH PLUG, PANEL THICKNESS SHOULD NOT EXCEED 1.0mm.
- FUNCTIONAL MATING WITH MOLEX PLUG CAN STILL BE MAINTAINED WITH PANELS AS THICK AS 2.5mm (BUT PLUG AND RECEPTACLE WILL NOT BE FULLY MATED).
- GUIDELINES FOR CHOOSING A MOLEX SCREWLOCK:

| PANEL THICKNESS               | RECOMMENDED SCREWLOCK |
|-------------------------------|-----------------------|
| LESS THAN OR EQUAL TO 1.00 MM | 71433-0002            |
| 1.01 TO 2.15 MM               | 71433-0010            |

|  |   |   |  |                     |                        |   |
|--|---|---|--|---------------------|------------------------|---|
| CLARIFY DIMENSIONS<br>EC NO: JCP2008-1553<br>DRWN:BBARKER 2008/02/01<br>CHKD:DMORGAN 2008/02/07<br>APPR:SMILLER 2008/02/08 | QUALITY SYMBOLS   | GENERAL TOLERANCES (UNLESS SPECIFIED)   | SCALE 3:1  | DESIGN UNITS METRIC | THIRD ANGLE PROJECTION | REVISE ON CAD ONLY  |
|  | ▼ - 0<br>∇ - 0  | 4 PLACES ± --- ± ---<br>3 PLACES ± --- ± ---<br>2 PLACES ± 0.13 ± ---<br>1 PLACE ± 0.25 ± --- | mm INCH<br>DIMENSION STYLE MM ONLY                   | DRAWN BY SSAMPSON   | DATE 05.08.2001        | TITLE VHDCI STACKED ASSEMBLY  |
|  |   | ANGULAR ± 1°  | DRAFT WHERE APPLICABLE MUST REMAIN WITHIN DIMENSIONS | CHECKED BY MBANAKIS | DATE 05.08.2001        | MOLEX INCORPORATED<br>MATERIAL NO. SEE TABLE<br>DOCUMENT NO. SD-74337-014<br>SHEET NO. 4 OF 4 |
|  | THIS DRAWING CONTAINS INFORMATION THAT IS PROPRIETARY TO MOLEX INCORPORATED AND SHOULD NOT BE USED WITHOUT WRITTEN PERMISSION |   |  |                     |                        |   |