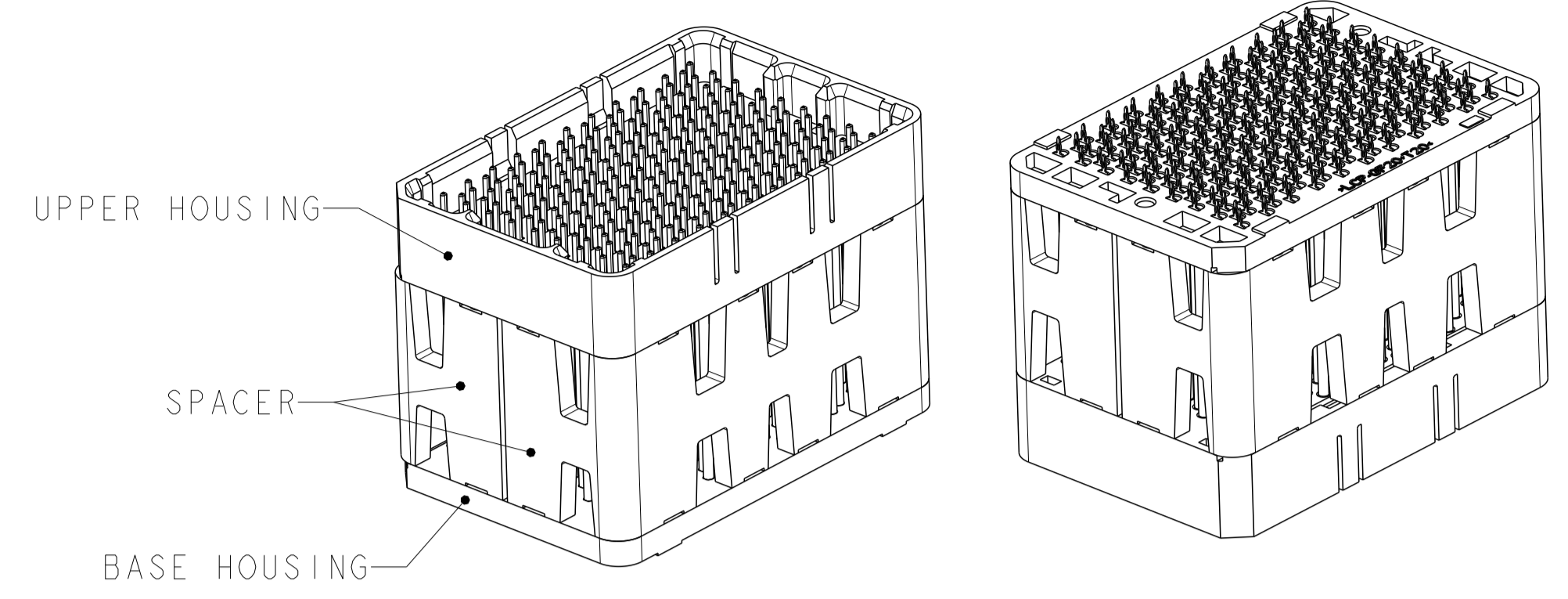
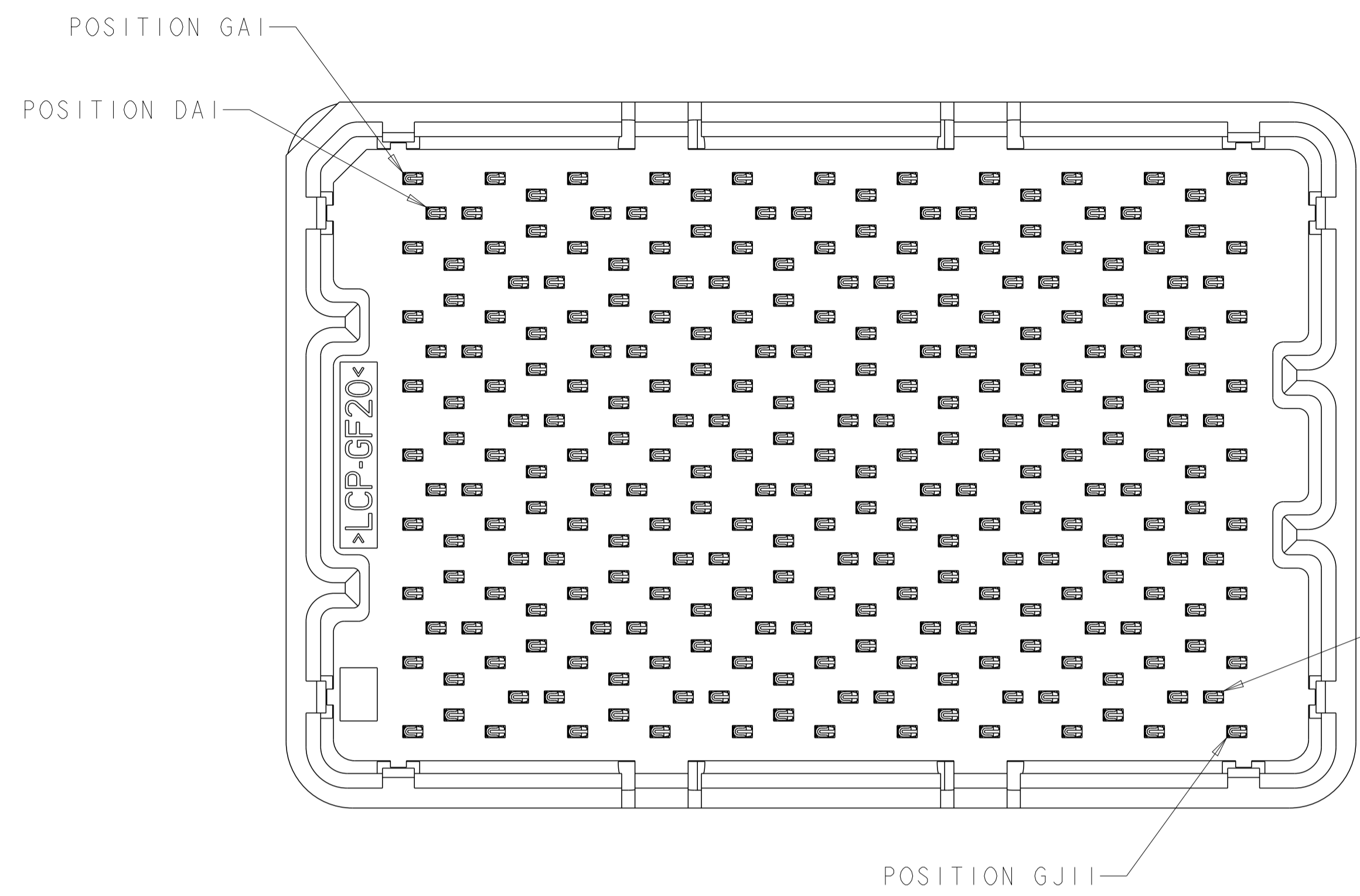
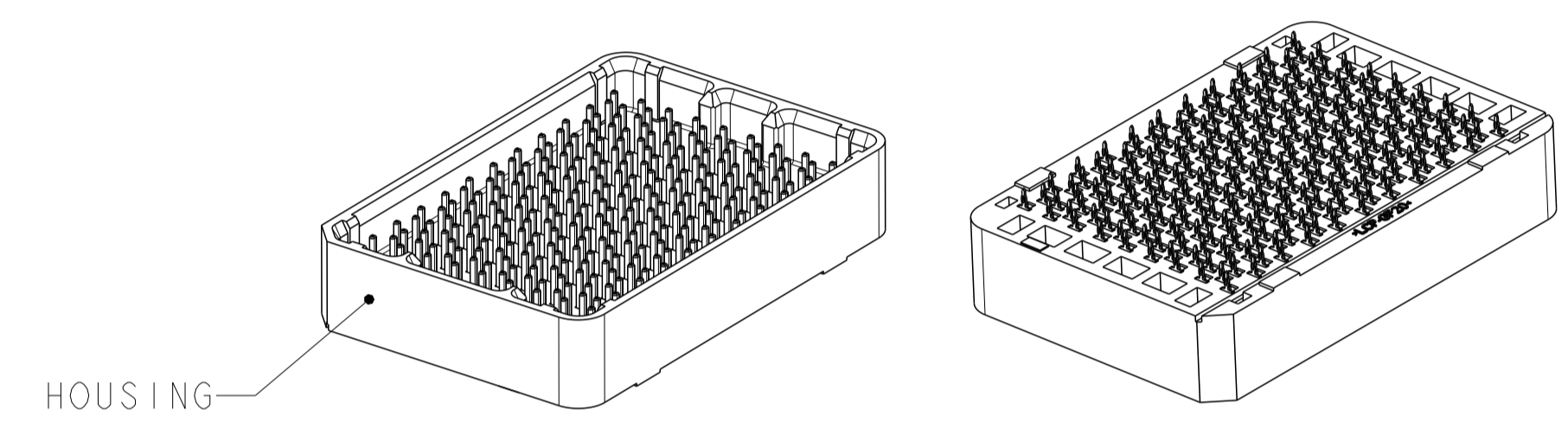


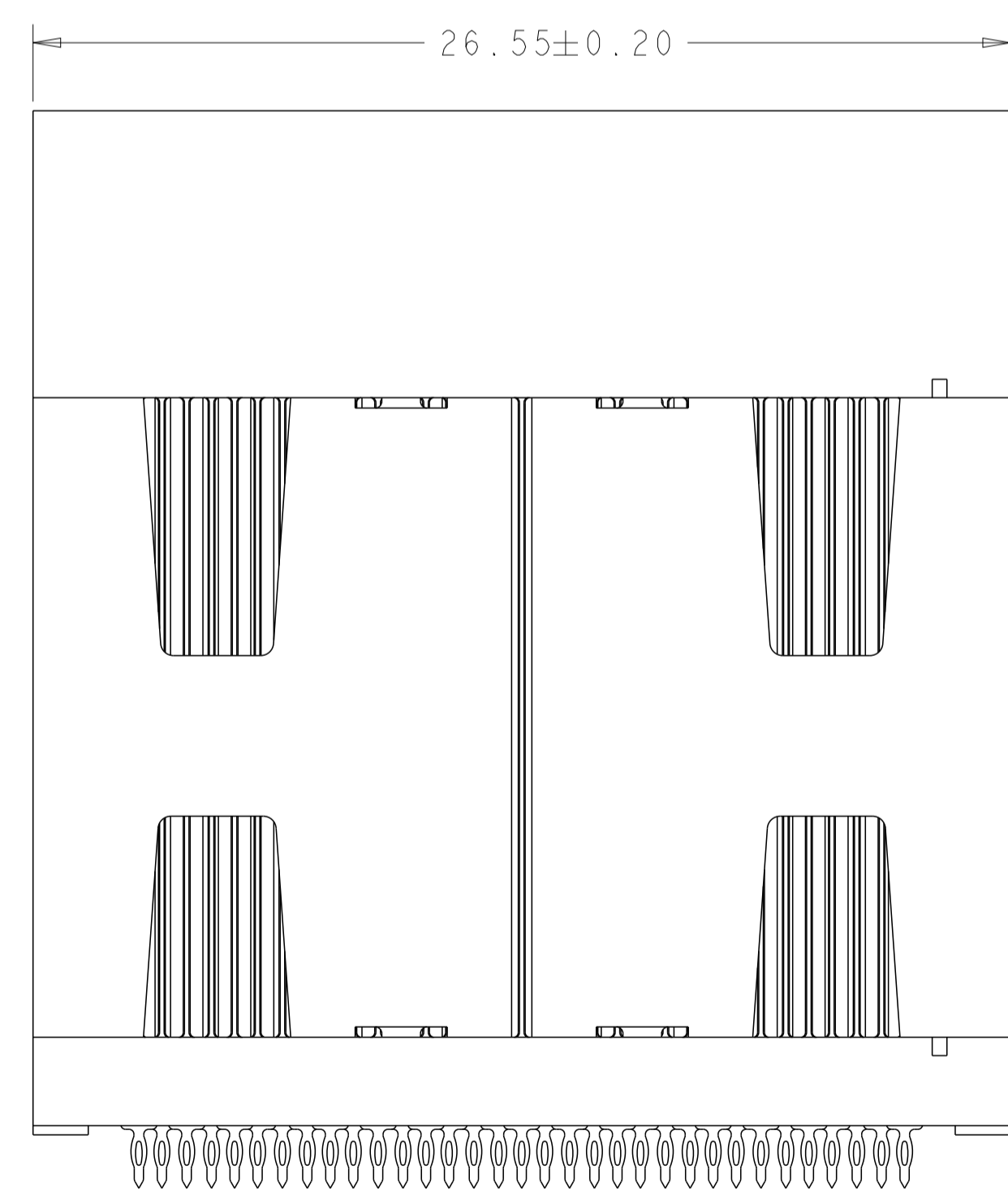
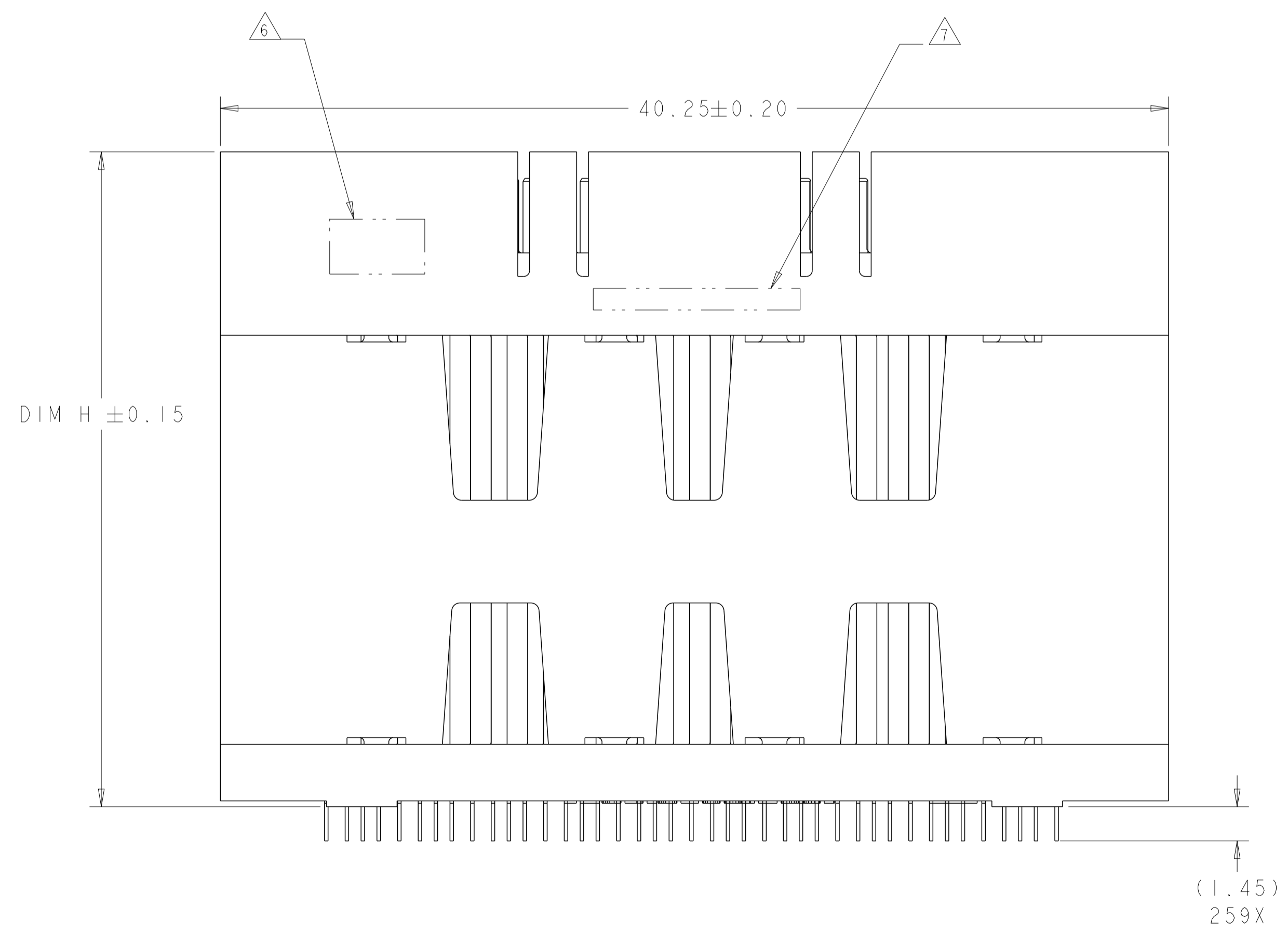
LOC	DIST	REVISIONS					
GP	00	P	LTN	DESCRIPTION	DATE	DWN	APVD
		A		REVISED PER ECO-12-018201	11OCT2012	KH	MH



ISOMETRIC VIEW
TYPICAL CONFIGURATION FOR 14mm THRU 42mm
28mm SHOWN
SCALE 2:1



ISOMETRIC VIEW
TYPICAL CONFIGURATION FOR 8mm THRU 13mm
8mm SHOWN
SCALE 2:1



- 1 MATERIAL:
BASE HOUSING, UPPER HOUSING, ORGANIZER,
AND SPACER: THERMOPLASTIC, FLAMMABILITY
RATING UL94-V0
CONTACT: COPPER ALLOY
- 2 CONTACT PLATING: 0.076µm MIN GOLD OVER 0.69µm
MIN PALLADIUM NICKEL, OVER 2.54-5.08µm NICKEL
ON MATING AREA. 0.50-2.54µm 93/7 TIN-LEAD,
OVER 1.27-5.08µm NICKEL ON TAIL AREA.
PORE BLOCKER APPLIED TO MATING AREA.
- 3 CONTACT PLATING: 0.076µm MIN GOLD OVER 0.69µm
MIN PALLADIUM NICKEL, OVER 2.54-5.08µm NICKEL
ON MATING AREA. 0.50-2.54µm MATTE TIN,
OVER 1.27-5.08µm NICKEL ON TAIL AREA.
PORE BLOCKER APPLIED TO MATING AREA.
- 4 ROWS GA THRU GJ (SHOWN DARKENED) ARE TYPICALLY
USED AS GROUNDS.
- 5 SPECIFIED POSITIONAL TOLERANCE DEFINES HOLE TO
HOLE LOCATION WITHIN HOLE PATTERN. POSITIONAL
TOLERANCE OF HOLE PATTERN TO FIDUCIAL MARKS
OR PCB DATUMS SHALL BE DEFINED BY CUSTOMER.
- 6 AREA RESERVED FOR TE CONNECTIVITY LOGO.
- 7 AREA RESERVED FOR PART NUMBER (X-XXXXXX-X)
AND DATE CODE (YYWW).
- 8 USE CENTERLINES INDICATED ON PCB HOLE PATTERN
TO ESTABLISH ALIGNMENT BETWEEN HEADER AND
RECEPTACLE BOARDS.
- 9 PLATED THROUGH HOLE REQUIREMENTS:
HOLE SIZE PRIOR TO PLATING = $\varnothing 0.420 \pm 0.013$
COPPER PLATING THICKNESS = 0.038 ± 0.013
CALCULATED FINISHED HOLE SIZE = $\varnothing 0.344 \pm 0.039$
THESE DIMENSIONS APPLY TO THE TOP 1.25mm OF
THE PCB THICKNESS FROM THE CONNECTOR MOUNTING
SIDE.
- 10 CONTACT SALES FOR AVAILABILITY OF THIS STACK
HEIGHT.

SIZE 2 HOUSING *
80 DIFFERENTIAL PAIRS
259 TOTAL SIGNAL CONTACTS

* SIZE 1 AND SIZE 3 ARE ALSO AVAILABLE

THIS DRAWING IS A CONTROLLED DOCUMENT.		DWN D. RINGLER 29AUG2008	TE Connectivity
DIMENSIONS:		CHK D. TROUT 29AUG2008	
mm	TOLERANCES UNLESS OTHERWISE SPECIFIED:	APVD J. EDDER 29AUG2008	NAME HEADER ASSEMBLY 80/259 SIGNAL STRADA MESA MEZZANINE CONNECTOR
	0 PLC ± 2 PLC ±0.13 3 PLC ±0.013 4 PLC ± ANGLES ±1 FINISH -	PRODUCT SPEC 108-2375 APPLICATION SPEC 114-13249 WEIGHT -	SIZE CAGE CODE DRAWING NO A100779C=2057360 RESTRICTED TO -
MATERIAL		Customer Drawing	SCALE 6:1 SHEET 1 OF 4 REV A

THIS DRAWING IS UNPUBLISHED. RELEASED FOR PUBLICATION 20
COPYRIGHT 20 BY - ALL RIGHTS RESERVED.

LOC	DIST	REVISIONS					
GP	00	P	LYN	DESCRIPTION	DATE	OWN	APVD
		-		SEE SHEET 1			

3	10	41.8	42mm	MATTE Sn	9-2057360-2
3	10	40.8	41mm	MATTE Sn	9-2057360-1
3	YES	39.8	40mm	MATTE Sn	9-2057360-0
3	10	38.8	39mm	MATTE Sn	8-2057360-9
3	10	37.8	38mm	MATTE Sn	8-2057360-8
3	10	36.8	37mm	MATTE Sn	8-2057360-7
3	10	35.8	36mm	MATTE Sn	8-2057360-6
3	10	34.8	35mm	MATTE Sn	8-2057360-5
3	10	33.8	34mm	MATTE Sn	8-2057360-4
3	10	32.8	33mm	MATTE Sn	8-2057360-3
3	10	31.8	32mm	MATTE Sn	8-2057360-2
3	10	30.8	31mm	MATTE Sn	8-2057360-1
3	10	29.8	30mm	MATTE Sn	8-2057360-0
3	10	28.8	29mm	MATTE Sn	7-2057360-9
3	YES	27.8	28mm	MATTE Sn	7-2057360-8
3	10	26.8	27mm	MATTE Sn	7-2057360-7
3	10	25.8	26mm	MATTE Sn	7-2057360-6
3	10	24.8	25mm	MATTE Sn	7-2057360-5
3	10	23.8	24mm	MATTE Sn	7-2057360-4
3	YES	22.8	23mm	MATTE Sn	7-2057360-3
3	10	21.8	22mm	MATTE Sn	7-2057360-2
3	10	20.8	21mm	MATTE Sn	7-2057360-1
3	10	19.8	20mm	MATTE Sn	7-2057360-0
3	10	18.8	19mm	MATTE Sn	6-2057360-9
3	10	17.8	18mm	MATTE Sn	6-2057360-8
3	10	16.8	17mm	MATTE Sn	6-2057360-7
3	10	15.8	16mm	MATTE Sn	6-2057360-6
3	10	14.8	15mm	MATTE Sn	6-2057360-5
3	10	13.8	14mm	MATTE Sn	6-2057360-4
3	10	12.8	13mm	MATTE Sn	6-2057360-3
3	10	11.8	12mm	MATTE Sn	6-2057360-2
3	10	10.8	11mm	MATTE Sn	6-2057360-1
3	10	9.8	10mm	MATTE Sn	6-2057360-0
3	YES	8.8	9mm	MATTE Sn	5-2057360-9
3	10	7.8	8mm	MATTE Sn	5-2057360-8
FINISH	TOOLED	DIM H	STACK HEIGHT	CONTACT TAIL PLATING	PART NUMBER

2	10	41.8	42mm	Sn/Pb	4-2057360-2
2	10	40.8	41mm	Sn/Pb	4-2057360-1
2	YES	39.8	40mm	Sn/Pb	4-2057360-0
2	10	38.8	39mm	Sn/Pb	3-2057360-9
2	10	37.8	38mm	Sn/Pb	3-2057360-8
2	10	36.8	37mm	Sn/Pb	3-2057360-7
2	10	35.8	36mm	Sn/Pb	3-2057360-6
2	10	34.8	35mm	Sn/Pb	3-2057360-5
2	10	33.8	34mm	Sn/Pb	3-2057360-4
2	10	32.8	33mm	Sn/Pb	3-2057360-3
2	10	31.8	32mm	Sn/Pb	3-2057360-2
2	10	30.8	31mm	Sn/Pb	3-2057360-1
2	10	29.8	30mm	Sn/Pb	3-2057360-0
2	10	28.8	29mm	Sn/Pb	2-2057360-9
2	YES	27.8	28mm	Sn/Pb	2-2057360-8
2	10	26.8	27mm	Sn/Pb	2-2057360-7
2	10	25.8	26mm	Sn/Pb	2-2057360-6
2	10	24.8	25mm	Sn/Pb	2-2057360-5
2	10	23.8	24mm	Sn/Pb	2-2057360-4
2	YES	22.8	23mm	Sn/Pb	2-2057360-3
2	10	21.8	22mm	Sn/Pb	2-2057360-2
2	10	20.8	21mm	Sn/Pb	2-2057360-1
2	10	19.8	20mm	Sn/Pb	2-2057360-0
2	10	18.8	19mm	Sn/Pb	1-2057360-9
2	10	17.8	18mm	Sn/Pb	1-2057360-8
2	10	16.8	17mm	Sn/Pb	1-2057360-7
2	10	15.8	16mm	Sn/Pb	1-2057360-6
2	10	14.8	15mm	Sn/Pb	1-2057360-5
2	10	13.8	14mm	Sn/Pb	1-2057360-4
2	10	12.8	13mm	Sn/Pb	1-2057360-3
2	10	11.8	12mm	Sn/Pb	1-2057360-2
2	10	10.8	11mm	Sn/Pb	1-2057360-1
2	10	9.8	10mm	Sn/Pb	1-2057360-0
2	YES	8.8	9mm	Sn/Pb	2057360-9
2	10	7.8	8mm	Sn/Pb	2057360-8
FINISH	TOOLED	DIM H	STACK HEIGHT	CONTACT TAIL PLATING	PART NUMBER

THIS DRAWING IS A CONTROLLED DOCUMENT.

DWG: D. RINGLER 29AUG2008
 CHK: D. TROUT 29AUG2008
 APVD: J. FEDDER 29AUG2008

STE TE Connectivity
 NAME: HEADER ASSEMBLY
 80/259 SIGNAL
 STRADA MESA MEZZANINE CONNECTOR

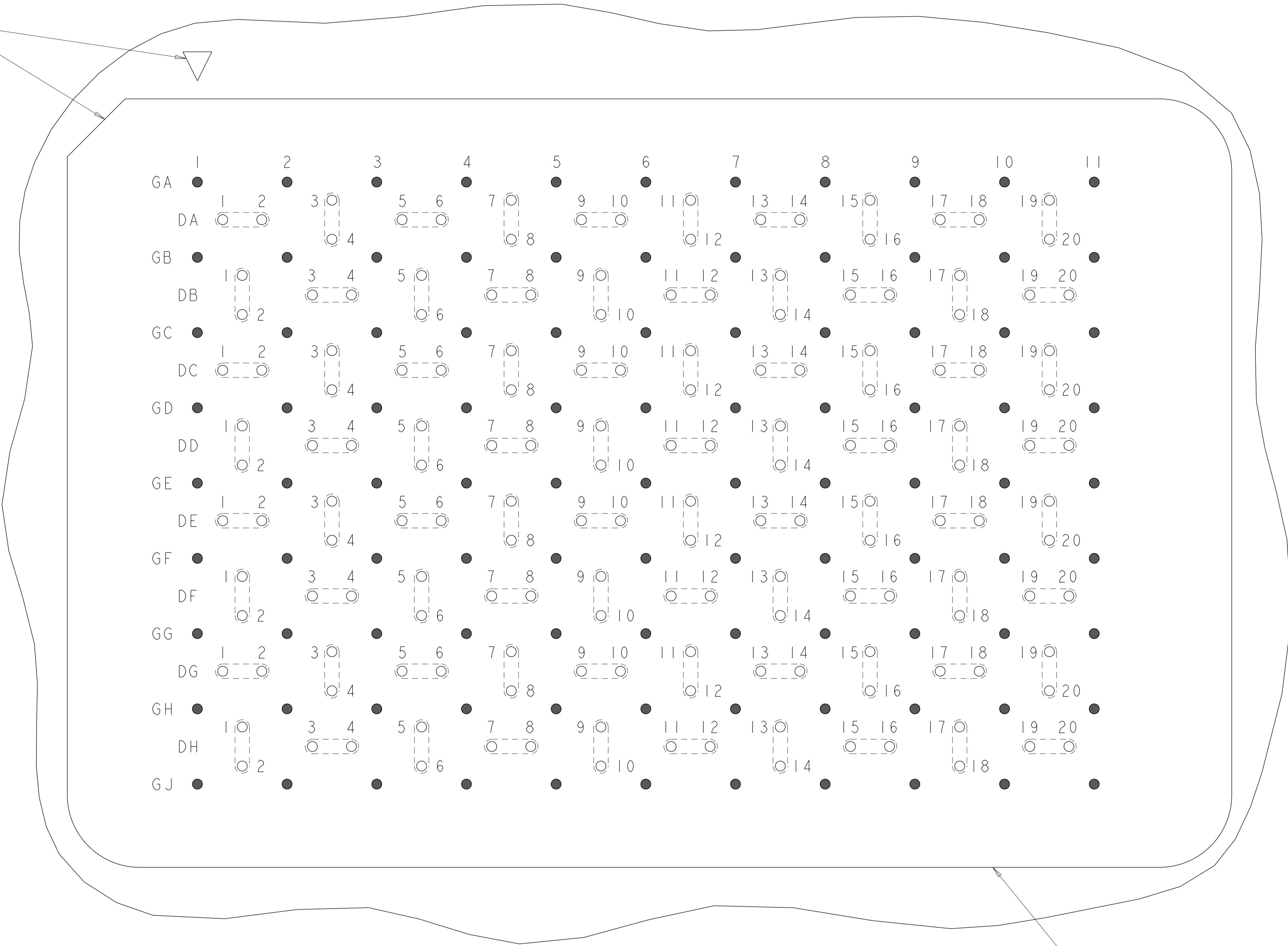
DIMENSIONS: mm
 TOLERANCES UNLESS OTHERWISE SPECIFIED:
 0 PLC ±.
 1 PLC ±0.13
 2 PLC ±0.013
 3 PLC ±.
 4 PLC ±.
 ANGLES ±1
 FINISH ±.

MATERIAL: .
 WEIGHT: .
 SCALE: 6:1
 SHEET 2 OF 4
 REV A

SIZE: A1
 CAGE CODE: 100779
 DRAWING NO: 2057360
 RESTRICTED TO: .
 Customer Drawing


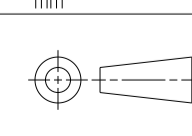
LOC	DIST	REVISIONS			
P	LTN	DESCRIPTION	DATE	DWN	APVD
-	-	SEE SHEET 1	-	-	-

A1 CORNER INDICATORS.

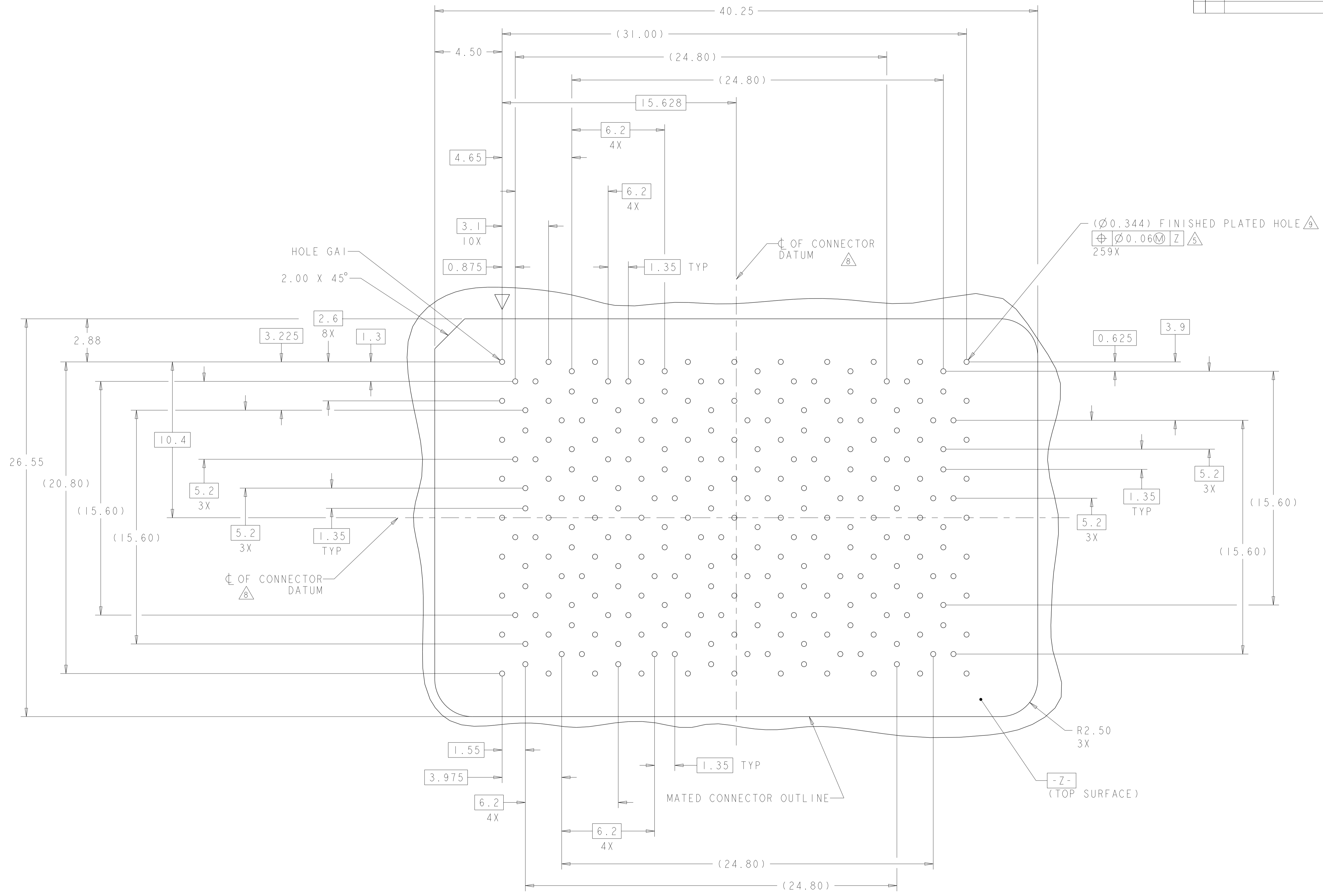


PCB LAYOUT AND PIN IDENTIFICATION 
 SHOWN FROM CONNECTOR SIDE
 SCALE 12:1

MATED CONNECTOR OUTLINE
 SEE SHEET 4 FOR LOCATION TO HOLES

THIS DRAWING IS A CONTROLLED DOCUMENT.		DWN D. RINGLER 29AUG2008	 TE Connectivity
DIMENSIONS:		CHK D. TROUT 29AUG2008	
mm	TOLERANCES UNLESS OTHERWISE SPECIFIED:	APVD J. FEDDER 29AUG2008	NAME HEADER ASSEMBLY 80/259 SIGNAL STRADA MESA MEZZANINE CONNECTOR
	0 PLC ± 1 PLC ±0.13 2 PLC ±0.013 3 PLC ± 4 PLC ± ANGLES ±1 FINISH	PRODUCT SPEC 108-2375 APPLICATION SPEC 114-13249 WEIGHT	SIZE A100779 CAGE CODE C=2057360
MATERIAL		Customer Drawing	RESTRICTED TO SCALE 6:1 SHEET 3 OF 4 REV A

LOC	DIST	REVISIONS					
GP	00	P	LYR	DESCRIPTION	DATE	OWN	APVD
		-		SEE SHEET 1	-	-	-



PCB HOLE PATTERN
 SHOWN FROM CONNECTOR SIDE
 SCALE 8:1

THIS DRAWING IS A CONTROLLED DOCUMENT.		OWN: D. RINGLER 29AUG2008	TE Connectivity NAME: HEADER ASSEMBLY 80/259 SIGNAL STRADA MESA MEZZANINE CONNECTOR
DIMENSIONS:		CHK: D. TROUT 29AUG2008	
TOLERANCES UNLESS OTHERWISE SPECIFIED:		APVD: J. FEDDER 29AUG2008	
0 PLC ± 2 PLC ±0.13 3 PLC ±0.013 4 PLC ± ANGLES ±1		PRODUCT SPEC: 108-2375 APPLICATION SPEC: 114-13249 WEIGHT: - SCALE: 6:1	
MATERIAL:		SIZE: A100779	RESTRICTED TO: -
FINISH:		CAGE CODE: 2057360	SHEET: 4 OF 4
Customer Drawing		REV: A	