

LED EVACUATION SIGNS SERIES

LinkCom[®]
LinkCom Manufacturing Co., Ltd.

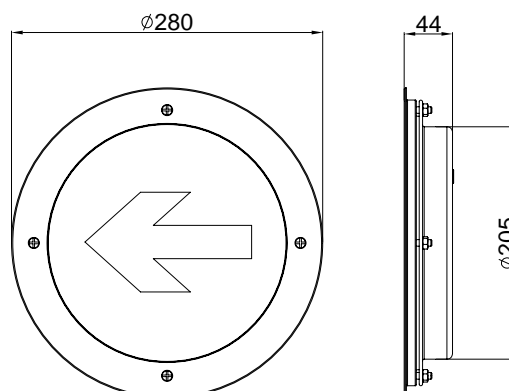


FEATURES

- ◆ Input: 187~240Vac
- ◆ High Operating ambient Temp: -10°C~+45°C
- ◆ MTBF: 18000 hrs/25°C
- ◆ Safety: GB17945-2000
- ◆ Dimension (mm): Φ *H: 280*44

Electrical Specifications @25°C		
Part No.	FSM000100004-B1	
Input	Voltage range	187~240Vac
	Frequency range	50Hz
Power	3.5W MAX	
Charge time	≤24H	
Emergency time	≥90min	
Standby electricity	Ni-Cd batteries	
LAMP	LED	
Safety	GB17945-2000	
Material	Spray-painting base and stainless steel surface	
Using surrounding	-10°C-45°C	
Mounting	Underground lamps	

DIMENSIONS [mm]



www.linkcom.com.tw For more information, please contact with :sales@linkcom.com.tw