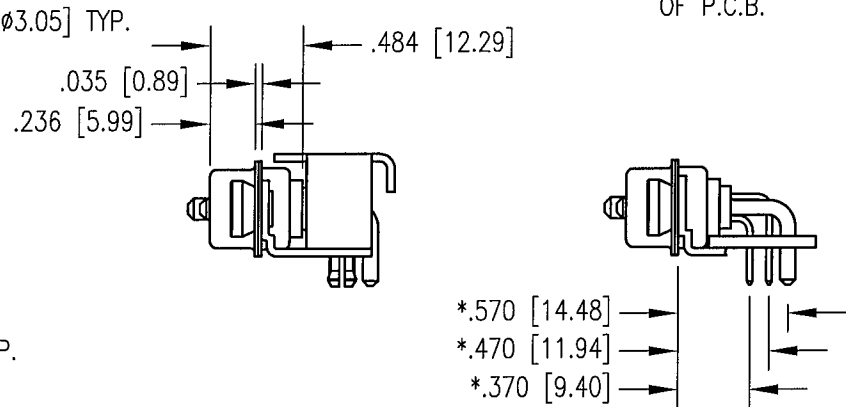
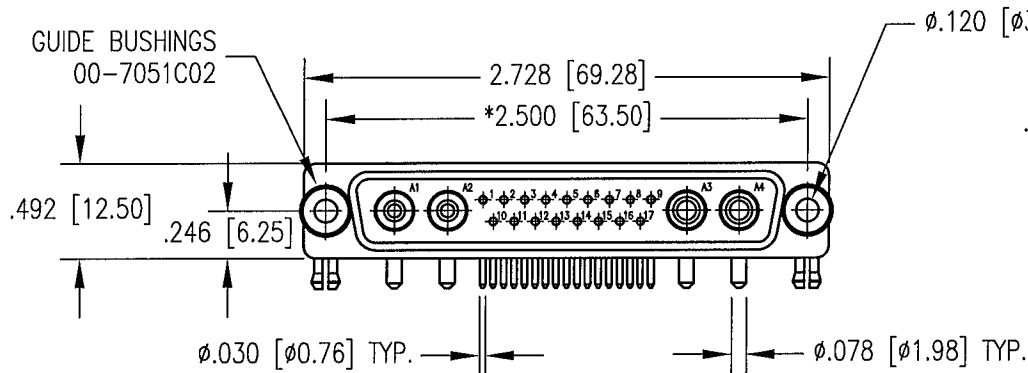
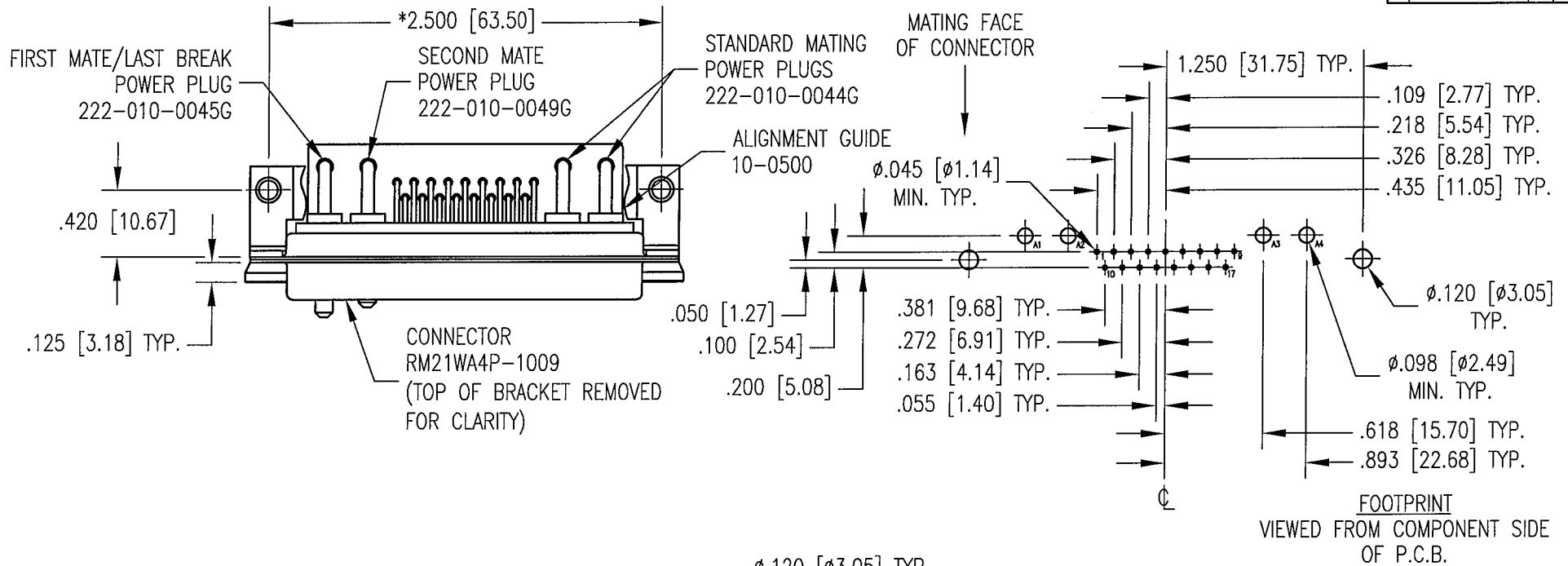


DWC. NO.		RM21WA4P-1008	
REV	DESCRIPTION	BY DATE	APPD
B	ECR 7155	J. KOE 12/11/00	J. KOE



NOTES:

1. FOR MATERIALS AND FINISHES PLEASE SEE COMPONENT SALES DRAWINGS.
2. FOR USE WITH .093 P.C.B.
3. MOTOROLA P/N 2886466V01, ISSUE A.

PER ASME Y14.5M-1994 UNLESS OTHERWISE SPECIFIED: DIMENSIONS ARE IN INCHES (MM)				Litton	
TOLERANCES:				Winchester/Retconn 400 Park Road Watertown, Connecticut 06795	
DECIMALS .XX ±		ANGLES ± 2'	SCALE: 1:1	TITLE	
CUSTOMER DRAWING				R/A 21WA4P CONNECTOR WITH PICK AND PLACE BRACKET	
DRAWN KJT	DATE 07/11/00	CHECKED JWH	DATE 07/13/00	A	RM21WA4P-1008
APPROVED JMC	DATE 07/13/00	APPROVED JED	DATE 07/13/00	SHT. OF	REV.
				1 1	B