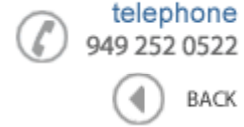




Data Sheet



Product Category: Filters

Series Number	Package	Description	Last Modified
774	Ceramic Series	High Selectivity Type	Jan. 01 2007

Filter FEATURES

- High Selectivity Ceramic Filter
- for TV / VCR Stage
- RoHS Compliant



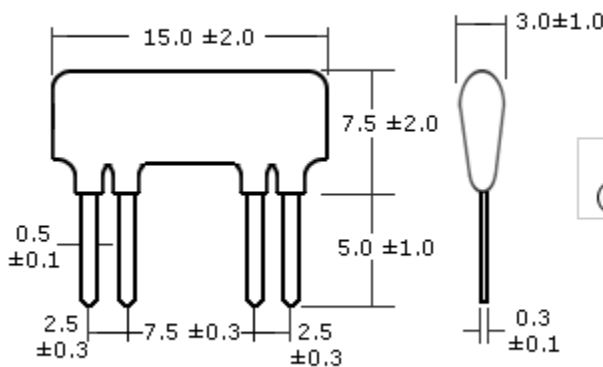
OPERATING CONDITIONS / ELECTRICAL CHARACTERISTICS / PART NUMBER GUIDE

PART NO.	Type	Nominal Frequency	3 dB Bandwidth	20 dB Bandwidth	Insertion Loss	Spurious Attenuation	In/Output Impedance
		(fn)(MHz)	(KHz) min.	(KHz) max.	(dB) max.	(dB) min.	(Ohm)
774-4.5M	LTT/A	4.500	fn ±40	370	10.0	40 (4.05+0.8/-1 MHz)	1000
774-4.724M	LTT/A	4.724	fn ±40	370	10.0	40 (4.72+0.8/-1 MHz)	1000
774-5.5M	LTT/A	5.500	fn ±50	350	9.0	50 (5.50 ±1 MHz)	600
774-5.742M	LTT/A	5.742	fn ±50	350	9.0	50 (5.74 ±1 MHz)	600
774-6.0M	LTT/A	6.000	fn ±50	400	9.0	50 (6.00 ±1 MHz)	470
774-6.25M	LTT/A	6.250	fn ±50	400	9.0	50 (6.25 ±1 MHz)	470
774-6.5M	LTT/A	6.500	fn ±50	400	9.0	50 (6.50 ±1 MHz)	470
774-6.742M	LTT/A	6.742	fn ±50	400	9.0	50 (6.74 ±1 MHz)	470

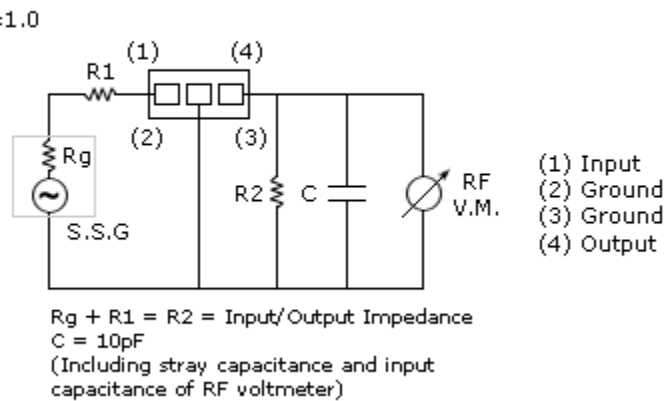
NOTE: Deviations on all parameters available. Please consult Oscilent for details.

DEFINITIONS: Click on the characteristic names above, for definitions of the particular characteristic.

PACKAGE DIMENSIONS (mm)



Test Circuit



[Crystal Oscillators](#) | [Quartz Crystal](#) | [TCXO](#) | [VCXO](#) | [IF SAW Filter](#) | [RF SAW Filter](#) | [Ceramic Resonator](#)
[Crystal Filter](#) | [Ceramic Filter](#) | [SAW Filter / SAW Devices](#) | [Site Map](#)