

SK-23D06-GXXX

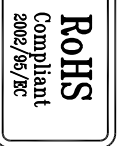
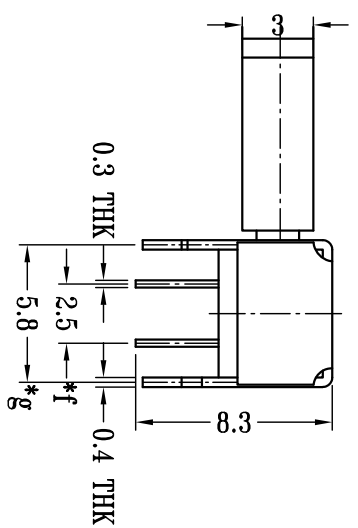
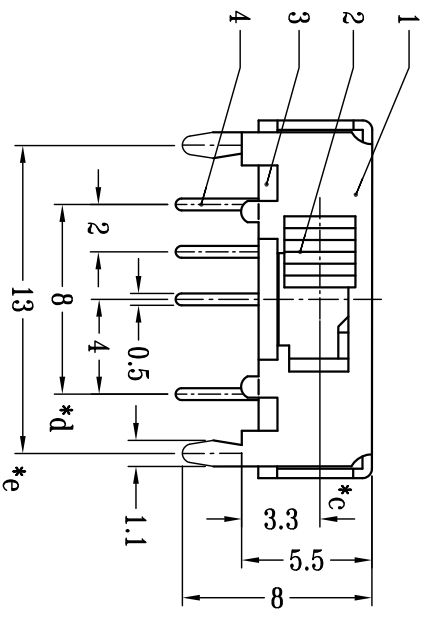
橫柄
G-Switch P/N

Switch Height (mm)

G020=2.0	G030=3.0
G040=4.0	G050=5.0
G055=5.5	G060=6.0
G065=6.5	G070=7.0
G075=7.5	G080=8.0
G085=8.5	G090=9.0
G095=9.5	G100=10.0

G-Switch Specification:

- Electrical Specifications: 1.0A/DC24V
- Contact resistance (CR): ≤50mΩ
- Insulation Resistance(IR): ≥100MΩ DC250V
- Compressive strength (WV): AC250V 1minute
- Operating temperature: -25°C~+70°C
- Storage humidity: <85%RH
- Electrical life: 10,000Cycles.



G-Switch 品勢科技

Unless otherwise specified, Tolerance:

X	±0.30
X.X	±0.20
X.XX	±0.15
X.XXX	±0.10
Angles	±3

G-Switch Electronic (HongKong) CO.,Ltd.

DESIGN	Bright Lee	DATE	2016.05.29	Mold code:	
CHECKED		DATE			
APPROVED		DATE			
http://www.dg-switch.com				REV:	X1
TEL:0769-82388879				SCALE:	4:1
				SIZE:	A4
				SHEET:	1/1
				UNIT:	mm

SK-23D06-GXXX