



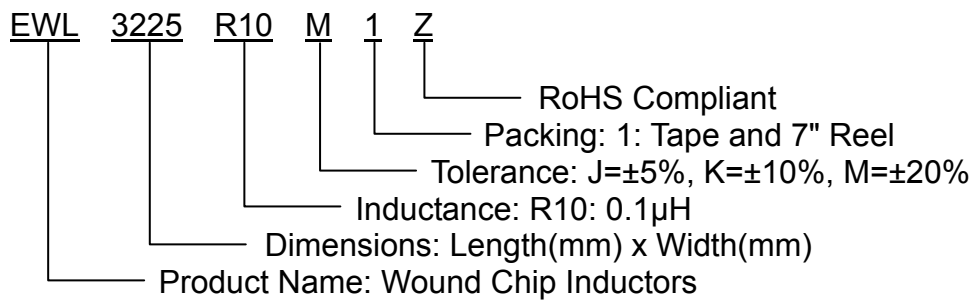
ECE —
The Name You Can Trust!

WOUND CHIP INDUCTORS EWL SERIES

FEATURES

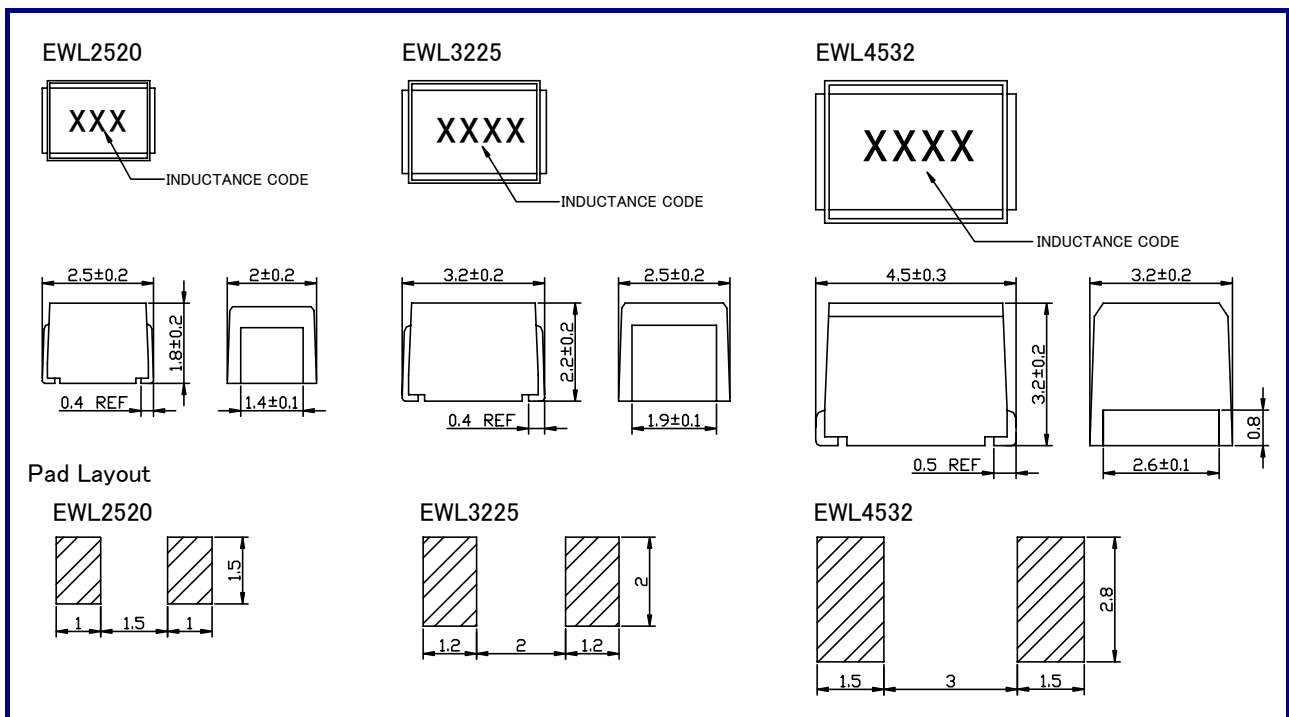
- Our EWL series can endure higher current and also allow inductance value up to 1000 μ H.
- Highly reliable in environments of sudden temperature change and humidity.
- These revolutionary, compact size furthermore high reliable wound chip inductors for automatic mounting have been developed in response to the trend toward high density PCB.
- Highly resistant to mechanical shocks and pressure.
- Very strong solderability by flow soldering, soldering iron or wave soldering.

PART NUMBERING SYSTEM



DIMENSIONS

UNIT:mm





ECE —
The Name You Can Trust!

■ ELECTRICAL CHARACTERISTICS

◆ TYPE: EWL 2520

Part No.	Inductance (μH)	Tolerance (±%)	Q (Min.)	L, Q Test Frequency (MHz)	SRF (MHz) Min.	DC Resistance (Ω)Max.	Rating Current (mA)Max.
EWL2520-10N	0.010	K,M	15	100	2150	0.26	530
EWL2520-12N	0.012	K,M	15	100	2050	0.27	500
EWL2520-15N	0.015	K,M	15	100	2000	0.29	480
EWL2520-18N	0.018	K,M	15	100	1850	0.31	450
EWL2520-22N	0.022	K,M	15	100	1650	0.37	420
EWL2520-27N	0.027	K,M	15	100	1550	0.40	410
EWL2520-33N	0.033	K,M	20	100	1450	0.42	400
EWL2520-39N	0.039	K,M	20	100	1350	0.45	380
EWL2520-47N	0.047	K,M	20	100	1200	0.50	360
EWL2520-56N	0.056	K,M	20	100	1100	0.60	340
EWL2520-68N	0.068	K,M	20	100	1050	0.65	320
EWL2520-82N	0.082	K,M	20	100	900	0.75	300
EWL2520-R10	0.10	K,M	20	100	800	0.80	280
EWL2520-R12	0.12	K,M	30	25.2	500	0.22	550
EWL2520-R15	0.15	K,M	30	25.2	450	0.25	500
EWL2520-R18	0.18	K,M	30	25.2	400	0.29	460
EWL2520-R22	0.22	K,M	30	25.2	300	0.30	430
EWL2520-R27	0.27	K,M	30	25.2	280	0.33	420
EWL2520-R33	0.33	K,M	30	25.2	260	0.39	400
EWL2520-R39	0.39	K,M	30	25.2	240	0.40	375
EWL2520-R47	0.47	K,M	30	25.2	210	0.44	350
EWL2520-R56	0.56	K,M	30	25.2	190	0.49	325
EWL2520-R68	0.68	K,M	30	25.2	170	0.50	300
EWL2520-R82	0.82	K,M	30	25.2	150	0.61	260
EWL2520-1R0	1.0	K,M	30	7.96	150	0.75	245
EWL2520-1R2	1.2	K,M	30	7.96	130	0.87	230
EWL2520-1R5	1.5	K,M	30	7.96	120	1.00	220
EWL2520-1R8	1.8	K,M	30	7.96	110	1.10	210
EWL2520-2R2	2.2	K,M	30	7.96	105	1.30	200
EWL2520-2R7	2.7	K,M	30	7.96	70	1.40	195
EWL2520-3R3	3.3	K,M	30	7.96	55	1.60	185
EWL2520-3R9	3.9	J,K	30	7.96	48	1.70	180
EWL2520-4R7	4.7	J,K	30	7.96	43	1.90	175
EWL2520-5R6	5.6	J,K	30	7.96	42	2.20	170



ECE —
The Name You Can Trust!

Part No.	Inductance (μ H)	Tolerance (\pm %)	Q (Min.)	L, Q Test Frequency (MHz)	SRF (MHz) Min.	DC Resistance (Ω)Max.	Rating Current (mA)Max.
EWL2520-6R8	6.8	J,K	30	7.96	39	2.40	165
EWL2520-8R2	8.2	J,K	30	7.96	36	2.60	160
EWL2520-100	10	J,K	25	2.52	33	2.20	155
EWL2520-120	12	J,K	25	2.52	30	2.50	150
EWL2520-150	15	J,K	25	2.52	26	2.80	140
EWL2520-180	18	J,K	25	2.52	22	3.20	130
EWL2520-220	22	J,K	25	2.52	21	3.60	125
EWL2520-270	27	J,K	25	2.52	19	4.30	115
EWL2520-330	33	J,K	25	2.52	17	4.70	110
EWL2520-390	39	J,K	25	2.52	15	8.10	85
EWL2520-470	47	J,K	25	2.52	14	8.80	80
EWL2520-560	56	J,K	25	2.52	13	10.0	75
EWL2520-680	68	J,K	25	2.52	12	11.5	70
EWL2520-820	82	J,K	25	2.52	11	12.5	65
EWL2520-101	100	J,K	25	0.796	10	13.0	60



ECE —
The Name You Can Trust!

◆ **TYPE: EWL 3225**

Part No.	Inductance (μH)	Tolerance (±%)	Q (Min.)	L, Q Test Frequency (MHz)	SRF (MHz) Min.	DC Resistance (Ω)Max.	Rating Current (mA)Max.
EWL3225-R10	0.10	K,M	28	25.2	450	0.25	450
EWL3225-R22	0.22	K,M	30	25.2	350	0.32	450
EWL3225-R33	0.33	K,M	30	25.2	300	0.40	450
EWL3225-R39	0.39	K,M	30	25.2	250	0.45	450
EWL3225-R68	0.68	K,M	30	25.2	160	0.60	450
EWL3225-1R0	1.0	K,M	30	7.96	120	0.70	400
EWL3225-1R2	1.2	K,M	30	7.96	100	0.75	390
EWL3225-1R5	1.5	K,M	30	7.96	85	0.85	370
EWL3225-1R8	1.8	K,M	30	7.96	80	0.90	350
EWL3225-2R2	2.2	K,M	30	7.96	75	1.00	320
EWL3225-2R7	2.7	K,M	30	7.96	70	1.10	290
EWL3225-3R3	3.3	K,M	30	7.96	60	1.20	260
EWL3225-3R9	3.9	K,M	30	7.96	55	1.30	250
EWL3225-4R7	4.7	K,M	30	7.96	50	1.50	220
EWL3225-5R6	5.6	K,M	30	7.96	47	1.60	200
EWL3225-6R8	6.8	K,M	30	7.96	43	1.80	180
EWL3225-8R2	8.2	K,M	30	7.96	40	2.00	170
EWL3225-100	10	J,K	30	2.52	36	2.10	150
EWL3225-120	12	J,K	30	2.52	33	2.50	140
EWL3225-150	15	J,K	30	2.52	30	2.80	130
EWL3225-180	18	J,K	30	2.52	27	3.30	120
EWL3225-220	22	J,K	30	2.52	25	3.70	110
EWL3225-270	27	J,K	30	2.52	20	5.00	80
EWL3225-330	33	J,K	30	2.52	17	5.60	70
EWL3225-390	39	J,K	30	2.52	16	6.40	65
EWL3225-470	47	J,K	30	2.52	15	7.00	60
EWL3225-560	56	J,K	30	2.52	13	8.00	55
EWL3225-680	68	J,K	30	2.52	12	9.00	50
EWL3225-820	82	J,K	30	2.52	11	10.0	45
EWL3225-101	100	J,K	20	0.796	10	10.0	40
EWL3225-121	120	J,K	20	0.796	10	11.0	70
EWL3225-151	150	J,K	20	0.796	8	15.0	65
EWL3225-181	180	J,K	20	0.796	7	17.0	60
EWL3225-221	220	J,K	20	0.796	7	21.0	50



ECE —
The Name You Can Trust!

◆ **TYPE: EWL 4532**

Part No.	Inductance (μH)	Tolerance (±%)	Q (Min.)	L, Q Test Frequency (MHz)	SRF (MHz) Min.	DC Resistance (Ω)Max.	Rating Current (mA)Max.
EWL4532-R10	0.10	K,M	28	25.2	700	0.44	450
EWL4532-R12	0.12	K,M	30	25.2	500	0.22	450
EWL4532-R15	0.15	K,M	30	25.2	450	0.25	450
EWL4532-R18	0.18	K,M	30	25.2	400	0.28	450
EWL4532-R22	0.22	K,M	30	25.2	350	0.32	450
EWL4532-R27	0.27	K,M	30	25.2	320	0.36	450
EWL4532-R33	0.33	K,M	30	25.2	300	0.40	450
EWL4532-R39	0.39	K,M	30	25.2	350	0.45	450
EWL4532-R47	0.47	K,M	30	25.2	220	0.50	450
EWL4532-R56	0.56	K,M	30	25.2	180	0.55	450
EWL4532-R68	0.68	K,M	30	25.2	160	0.60	450
EWL4532-R82	0.82	K,M	30	25.2	140	0.67	450
EWL4532-1R0	1.0	K,M	50	7.96	100	0.50	450
EWL4532-1R2	1.2	K,M	50	7.96	80	0.55	430
EWL4532-1R5	1.5	K,M	50	7.96	70	0.60	410
EWL4532-1R8	1.8	K,M	50	7.96	60	0.65	390
EWL4532-2R2	2.2	K,M	50	7.96	55	0.70	380
EWL4532-2R7	2.7	K,M	50	7.96	50	0.75	370
EWL4532-3R3	3.3	K,M	50	7.96	45	0.80	355
EWL4532-3R9	3.9	K,M	50	7.96	40	0.90	330
EWL4532-4R7	4.7	K,M	50	7.96	35	1.00	315
EWL4532-5R6	5.6	J,K	50	7.96	33	1.10	300
EWL4532-6R8	6.8	J,K	50	7.96	27	1.20	285
EWL4532-8R2	8.2	J,K	50	7.96	25	1.40	270
EWL4532-100	10	J,K	50	2.52	20	1.60	250
EWL4532-120	12	J,K	50	2.52	18	2.00	225
EWL4532-150	15	J,K	50	2.52	17	2.50	200
EWL4532-180	18	J,K	50	2.52	15	2.80	190
EWL4532-220	22	J,K	50	2.52	13	3.20	180
EWL4532-270	27	J,K	50	2.52	12	3.60	170
EWL4532-330	33	J,K	50	2.52	11	4.00	160
EWL4532-390	39	J,K	50	2.52	10	4.50	150
EWL4532-470	47	J,K	50	2.52	10	5.00	140
EWL4532-560	56	J,K	50	2.52	9	5.50	135
EWL4532-680	68	J,K	50	2.52	9	6.00	130
EWL4532-820	82	J,K	50	2.52	8	7.00	120



ECE —
The Name You Can Trust!

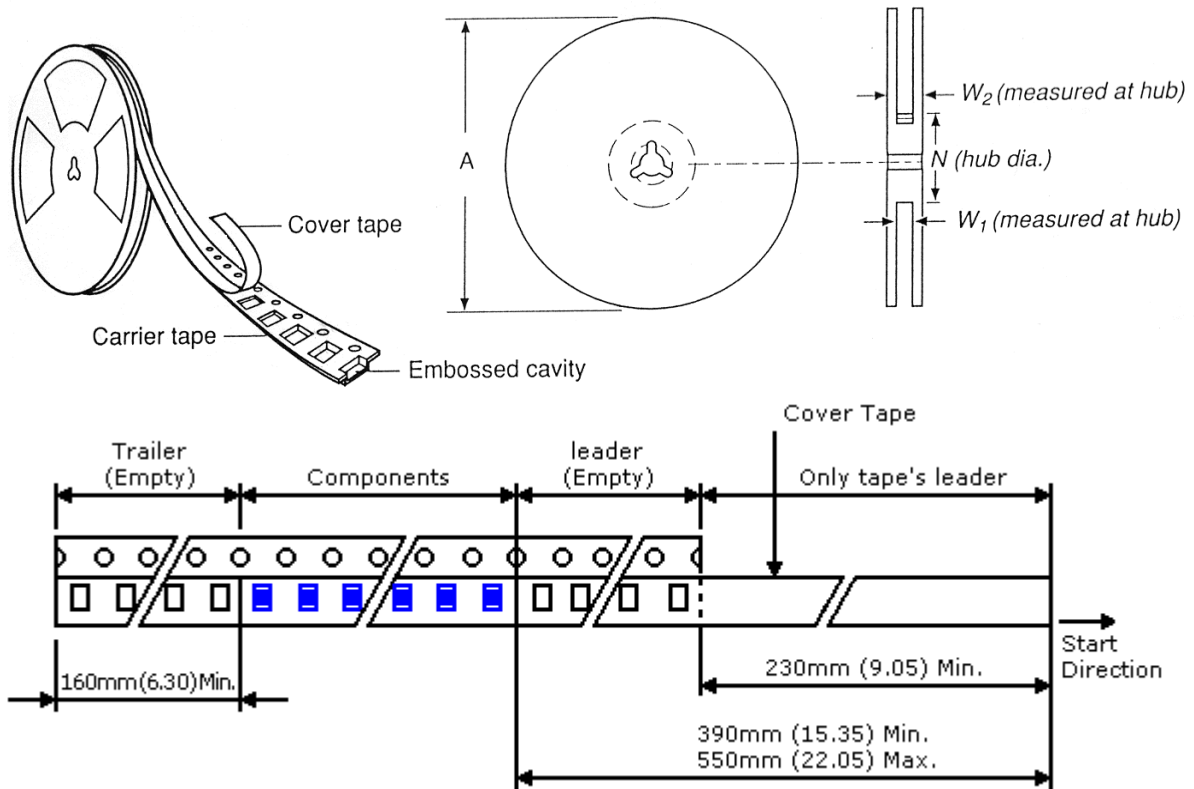
Part No.	Inductance (μ H)	Tolerance (\pm %)	Q (Min.)	L, Q Test Frequency (MHz)	SRF (MHz) Min.	DC Resistance (Ω)Max.	Rating Current (mA)Max.
EWL4532-101	100	J,K	40	0.796	7	8.00	110
EWL4532-121	120	J,K	40	0.796	6	8.00	110
EWL4532-151	150	J,K	40	0.796	5	9.00	105
EWL4532-181	180	J,K	40	0.796	5	9.50	102
EWL4532-221	220	J,K	40	0.796	4	12.0	100
EWL4532-271	270	J,K	30	0.796	3	18.0	92
EWL4532-331	330	J,K	30	0.796	3	20.0	85
EWL4532-391	390	J,K	30	0.796	3	23.0	80
EWL4532-471	470	J,K	30	0.796	3	26.0	62
EWL4532-561	560	J,K	30	0.796	2	30.0	50
EWL4532-681	680	J,K	30	0.796	2	40.0	50
EWL4532-821	820	J,K	30	0.796	2	45.0	30
EWL4532-102	1000	J,K	30	0.796	2	50.0	30



ECE —
The Name You Can Trust!

TAPE & REEL PACKAGING

■ Packaging - Cover Tape



Reel Dimensions		
Reel type	W=8mm	W=12mm
A	Ø 178mm	Ø178mm
N	Ø 50mm min.	Ø 50mm min.
W_1	8.4+1.5mm	12.4+2.0mm
W_2	14.4mm max.	18.4mm max.

■ Packaging Quantity

Type	Reel/Tape
100505	10000
160808	4000
201209	4000
201212	3000
321611	3000
321616	2000

Type	Reel/Tape
EWL2520	2000
EWL3225	2000
EWL4532	500
EWH0603	4000
EWH0805	2000
EWH1008	2000