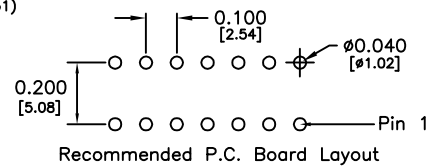
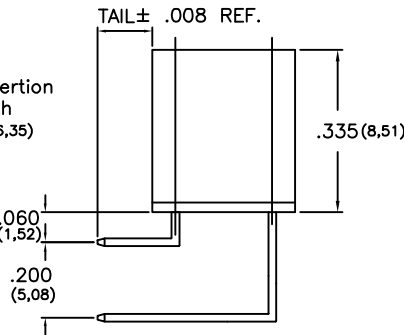
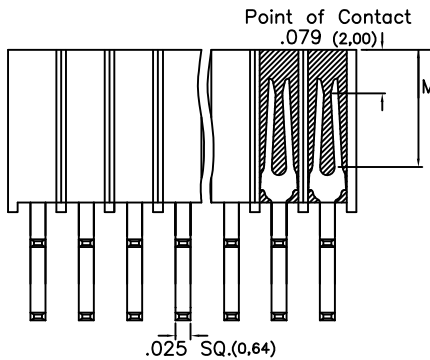
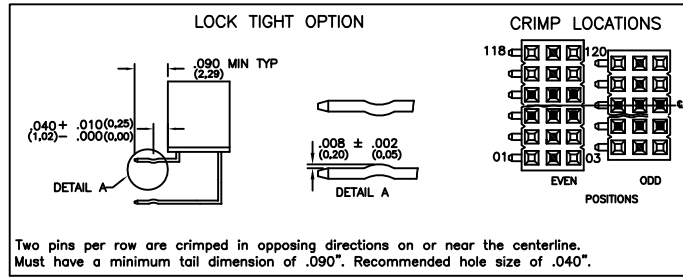
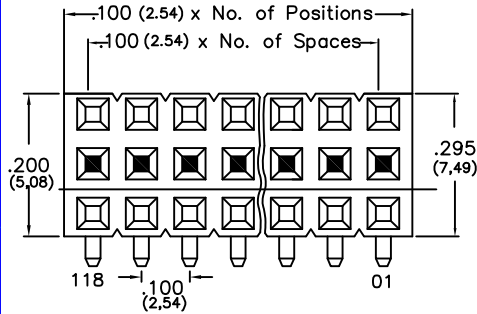


# Major League Electronics .100 cl Socket Strips Right Angle using .025" sq. pins



Tails may be clipped to achieve desired pin length

## Ordering Information

SSHQR-1  - J - 02 -  -  -  - LF

Pins Per Row  
01-40

Row Specification  
J = Jump Middle Row

Pin Option	
Tail	
.100	2.54mm 02

Lead Free

Polarized Position  
Leave blank if not needed  
If required, specify empty pin position, e.g. 012 for Pin 12

Lock Tight "LT" (Optional)  
Leave blank if not needed  
LT = With

Plating Options	
G	- 10µ Gold on Contact area/Flash on Tail
T	- Matte Tin all Over
GT	- 10µ Gold on Contact Area / Matte Tin on Tail
H	- 30µ Gold on Contact Area / Matte Tin on Tail
F	- Gold Flash over Entire Pin

## Specifications

Insertion Depth: .145 (3.68) to .250 (6.35)

Insertion Force - Per Contact - H Plating:

6oz. (1.67N) avg with .025 (0.64mm) sq. pin

Withdrawal Force - Per Contact - H Plating:

5oz. (1.39N) avg with .025 (0.64mm) sq. pin

Current Rating: 3.0 Ampere

Insulation Resistance: 1000MΩ Min.

Dielectric Withstanding: 600V AC

Contact Resistance: 20 mΩ Max.

Operating Temperature: -40°C to + 105°C

Max. Process Temperature:

Peak: 260°C up to 20 secs.

Process: 230°C up to 60 secs.

Wave: 260°C up to 6 secs.

Manual Solder: 350°C up to 5 secs.

## Materials

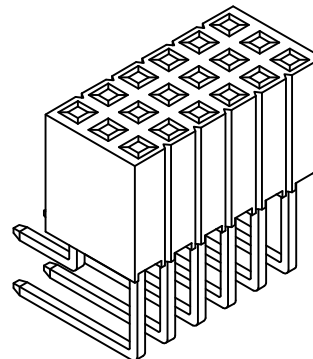
Contact Material: Phosphor Bronze

Insulator Material: Nylon 6T

Plating: Au or Sn over 50µ" (1.27) Ni

Products cut to specific sizes are uncancelable/nonreturnable

Parts are subject to change without notice



Mates with:

BSTC, TSHCR,  
BSTCM, TSHCRE,  
BSTCR, TSHCRSM,  
BSTCRSM, TSHR,  
BSTS, TSHRE,  
LBSTCM, TSHS,  
LTSHCR, TSHSCM,  
LTSHCRE, TSHSM,  
LTSHR, ULTSHSM,  
LTSHRE, ULTSHC,  
LTSHSM, ULTHSCR,  
TSHC,

SSHQR-1-J SERIES

.100 cl Jump Middle Row - Right Angle  
Socket Strips using .025" sq. pins

18 JAN 07

Scale  
NTS

UNLESS OTHERWISE SPECIFIED  
DIMENSIONS IN INCHES (MM)  
TOLERANCES ARE:

ONE PLACE DECIMALS ±.100  
TWO PLACE DECIMALS ±.010  
THREE PLACE DECIMALS ±.005  
FOUR PLACE DECIMALS ±.0020  
ANGLES  
±.5°



4235 Earnings Way, New Albany, Indiana, 47150, USA  
1-800-782-3486 (USA/Canada/Mexico)

Tel: 812-944-7244

Fax: 812-944-7268

E-mail: mle@mlelectronics.com

Web: www.mlelectronics.com

Edition  
1

Sheet  
1/1