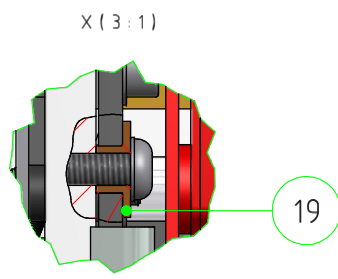
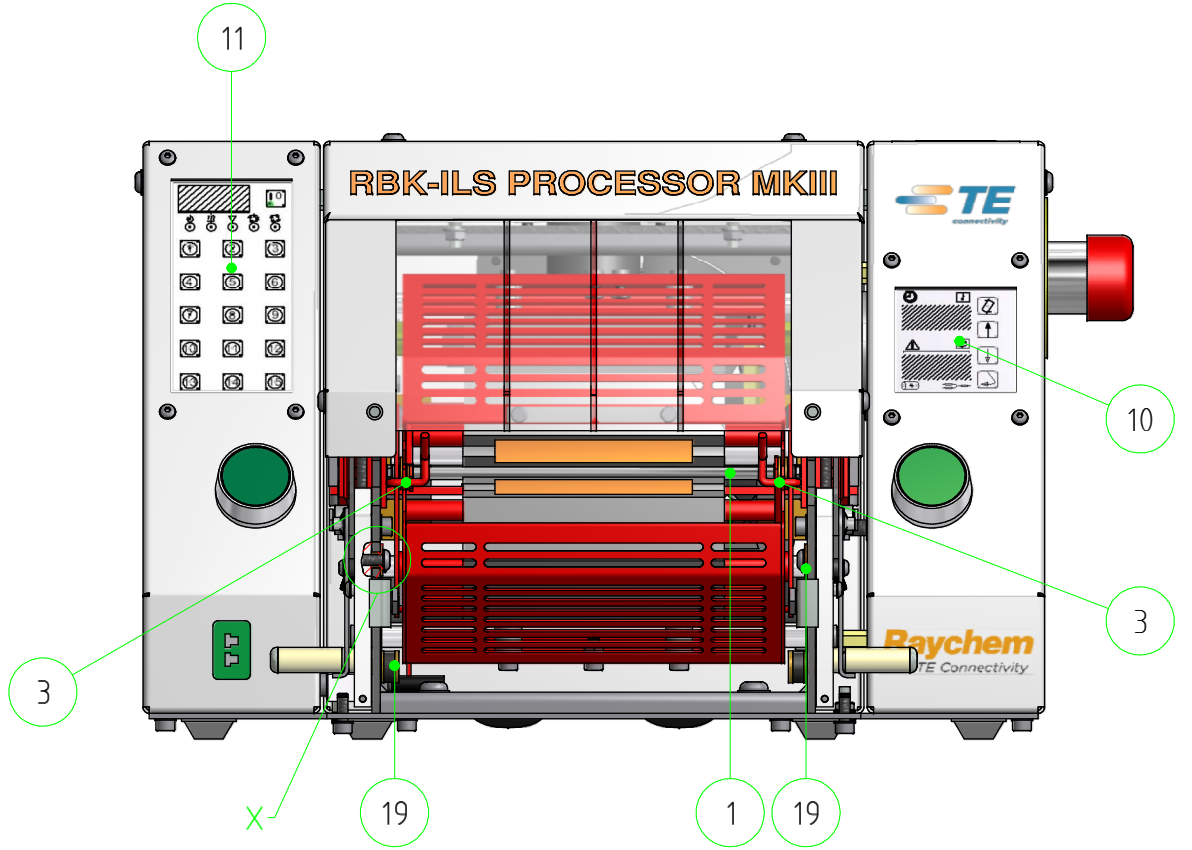
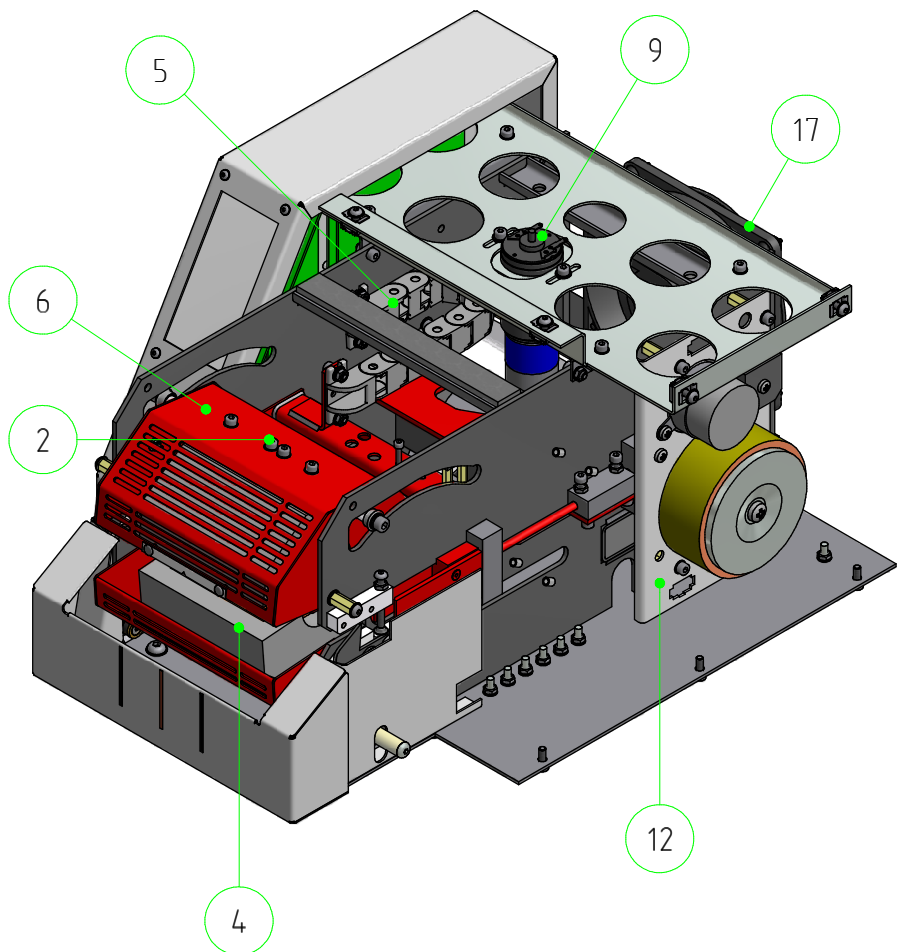


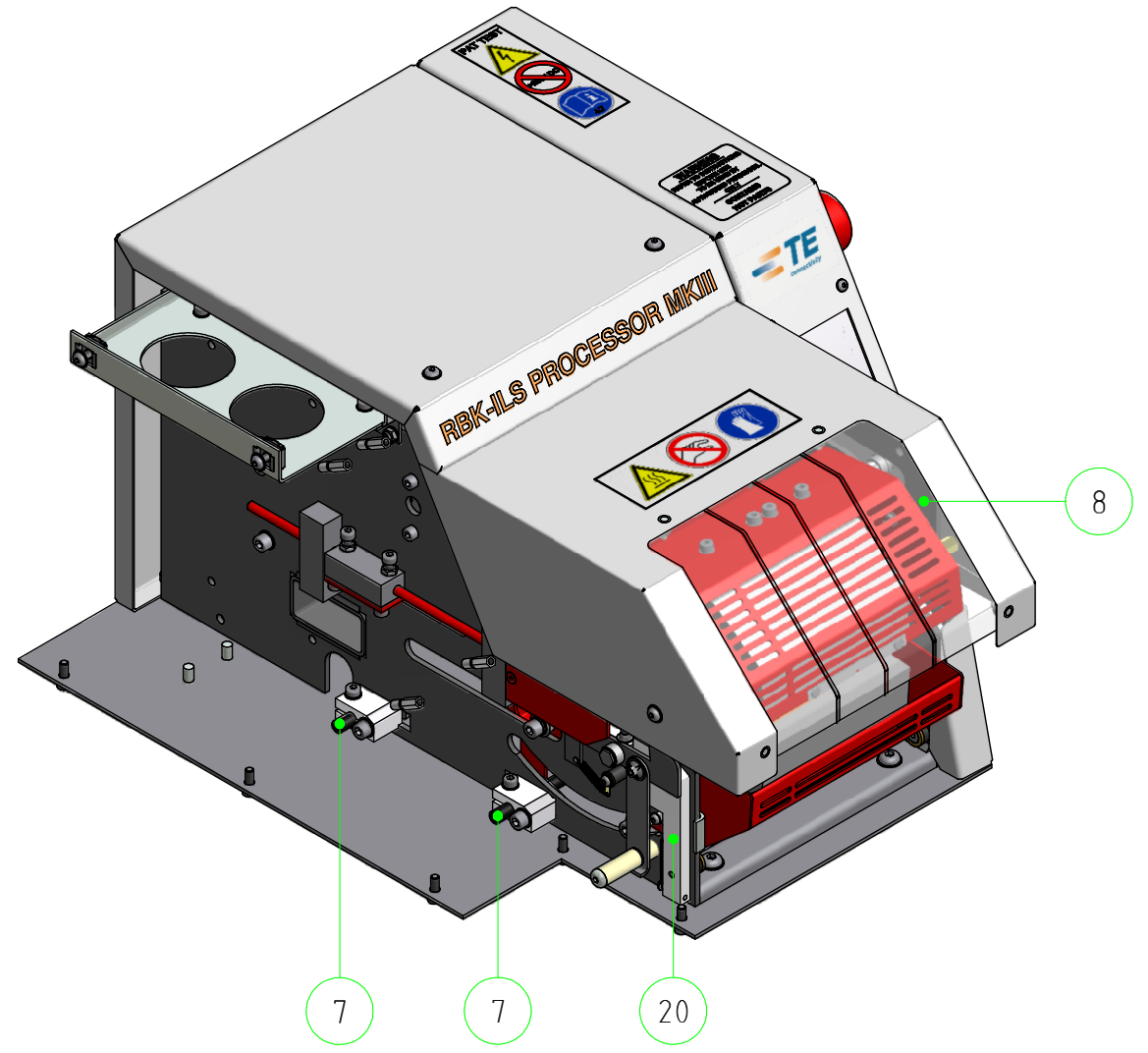
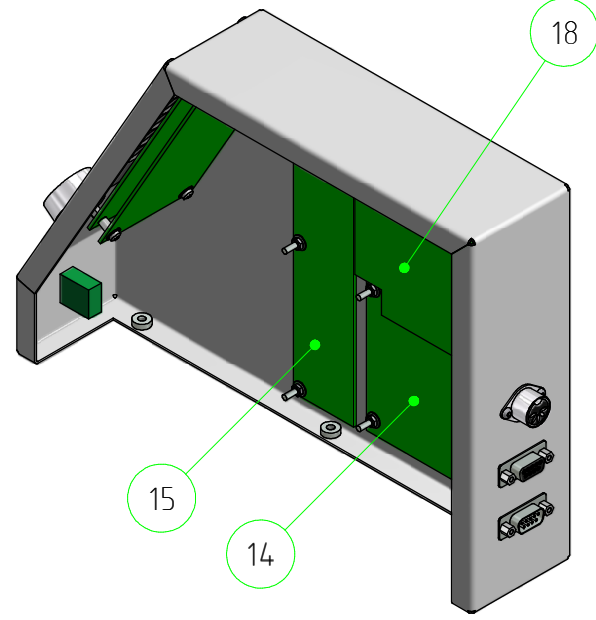
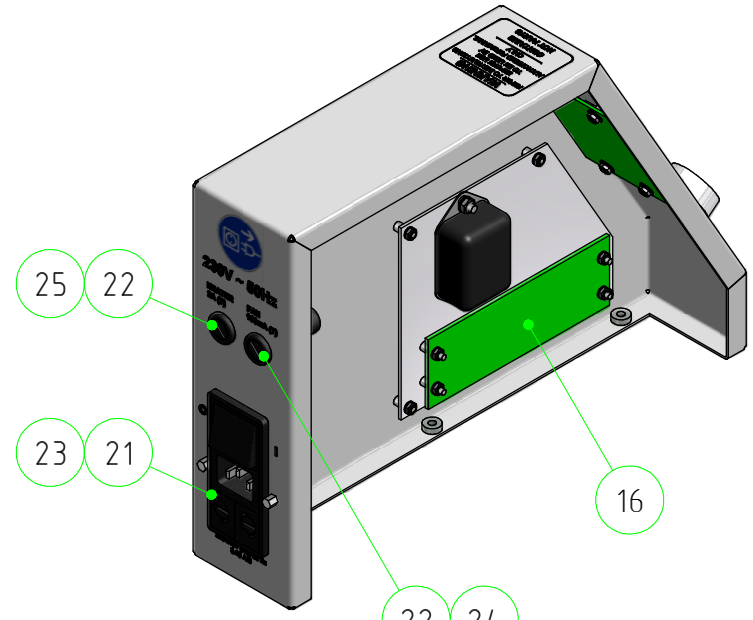
**DETAILS SEE SHEET 2 AND 3
 SPARE PARTS LIST SEE SHEET 4**

THIS DRAWING IS A CONTROLLED DOCUMENT.		DRW: 22MAR2013	TE Connectivity	
DIMENSIONS		REV: M.L. 09	TE Connectivity	
TOLERANCES UNLESS OTHERWISE SPECIFIED:		PROJ: M.L. 09	RBK-PROC-MK3-PROCESSOR	
MATERIAL		FINISH: M.L. 09	NAME: RBK-PROC-MK3-PROCESSOR	
FINISH		APPLICATOR SPEC	SIZE: A1	
APPLICATOR SPEC		DATE ENG: 00779	DRAWING NO: 529535-1	
APPLICATOR SPEC		SCALE: 1:1	SHEET: 1 of 4	
APPLICATOR SPEC		CUSTOMER DRAWING		



SPARE PARTS LIST SEE SHEET 4

THIS DRAWING IS A CONTROLLED DOCUMENT.		DRW: R. Nilschke	ZPHAR2013	TE Connectivity	
DIMENSIONS: UNLESS OTHERWISE SPECIFIED:		REV: M.L.S.P.	ZPHAR2013	NAME: RBK-PROC-MK3-PROCESSOR	
MATERIAL:		PROJ: M.L.S.P.	ZPHAR2013	SIZE: A1	
APPLICATOR SPEC:		PROJECT SPEC:		DATE: 00779	
FINISH:		ANGLES:		DRAWING NO: C=529535-1	
WEIGHT:		SCALE:	1:1	SHEET: 2 of 4	
CUSTOMER DRAWING		REV: A			



SPARE PARTS LIST SEE SHEET 4

THIS DRAWING IS A CONTROLLED DOCUMENT.		REV: 22MAR2013	TE Connectivity	
DIMENSIONS: UNLESS OTHERWISE SPECIFIED		REV: 22MAR2013	RBK-PROC-MK3-PROCESSOR	
MATERIAL: ALUMINUM		REV: 22MAR2013	CUSTOMER DRAWING	
FINISH: ANODIZED		REV: 22MAR2013	SCALE: 1:1	
APPLICATOR SPEC: RBK-PROC-MK3-PROCESSOR		REV: 22MAR2013	SHEET: 3 of 4	
DRAWN: M.L. SUTHERLAND		REV: 22MAR2013	REV: A	
CHECKED: M.L. SUTHERLAND		REV: 22MAR2013	DATE: 00779	
APPROVED: M.L. SUTHERLAND		REV: 22MAR2013	C= 529535-1	

SPARE PARTS LIST

POS	QTY	TE / PN	RAYCHEM / PN	DESCRIPTION	GUIDELINE
1	1		014395-000	RBK-ILS-MK2/3-HTR-PIVT-ASSY	Replacement heater pivot assy
2	1		870779-000	RBK-ILS-MK2/3-BEAR-REP-KIT	Heating chamber replacement bearing kit
3	1		690523-000	RBK-ILS-MK2/3-EJECT-BL-SET	Replacement ejector blade set
4	1		342551-000	RBK-ILS-MK2/3-ELEM-ASSY	Replacement heating element
5	1		883491-000	RBK-ILS-MK2/3-MECH-REP-KIT	Mechanical repair kit
6	1		478274-000	RBK-ILS-MK2/3-EL-COVR-ASSY	Element cover assembly
7	2		492905-000	RBK-ILS-MK2/3-PROX-SW	Replacement Front and back proximity sensor
8	1		496043-000	RBK-ILS-MK2/3-VIEW-WINDOW	Replacement lockable cover windows
9	1		858752-000	RBK-ILS-MK2/3-MOTOR-ASSY	Replacement motor
10	1	3-529533-3		RBK-ILS-MK2/3-CV-OBHAT-TIMER-MODULE	Timer module
11	1	3-529533-4		RBK-ILS-MK2/3-TMP-CONT-MOD	Temperature control module
12	1	537221-3		RBK-ILS-MK2/3-MOT-PSU-ASSY	Replacement motor power supply module
13	1	1-537221-0		RBK-ILS-MK3-FIRMWARE	Software EPROM
14	1	537221-2		RBK-ILS-MK3-GEN-CONT-PCB	Generic controller PCB
15	1	537221-4		RBK-ILS-MK2/3-INTFC-PCB	Thermocouple Interface PCB
16	1	537221-1		RBK-ILS-MK2/3-PWR-SW-ASSY	Power switching assembly
17	1		250145-000	RBK-ILS-MK2/3-FAN	Replacement cooling fan
18	1	537221-8		RBK-ILS-MK3-PCB-SAFETY-RELAY	Safety Relay
19	1		F20689-000	RBK-ILS-MK2/3-EJ-BUSH-KIT	Ejector Bush Kit
20	1		924745-000	RBK-ILS-MK2/3-PIN-BLOC-REP	Moving Pinch Block Replacement Kit
21	1	2256040-1		INLET, INCLUDES TWIN FUSEHOLDER AND DOUBLE POLE SWITCH	IEC Input Plug and fuse assembly
22	2	2256041-1		FUSEHOLDER, FOR 5 X 20 FUSE, 10 A, 250 V	Panel Mounting - PC2
23	2	2-547565-3		FUSE 3.15A T (anti-surge)	Mains input fuses x 2 - Rear panel mains connector
24	1	547565-5		FUSE 100mA T (anti-surge)	Cooling fan fuse - Rear panel
25	1	2-547565-1		FUSE 2A T (anti-surge)	Heating element fuse - Rear panel
26	1	5-744015-9		IS 412-94235, RBK-PROC-MK3-PROCESSOR	Instruction Sheet

THIS DRAWING IS A CONTROLLED DOCUMENT.		DRN: RBK-Proc DES: M.L.H. DATE: 22MAR2013 NAME: RBK-PROC-MK3-PROCESSOR	
DIMENSIONS: INCH TOLERANCES UNLESS OTHERWISE SPECIFIED: FRACTIONS: 1/16, 1/32, 1/64 DECIMALS: .005, .010, .015, .020, .030, .040, .050, .060, .070, .080, .090, .100, .125, .150, .175, .200, .250, .300, .375, .500, .625, .750, .875, 1.000, 1.250, 1.500, 1.750, 2.000, 2.500, 3.000, 3.750, 4.000, 5.000, 6.000, 7.000, 8.000, 9.000, 10.000 ANGLES: 15, 30, 45, 60, 75, 90, 105, 120, 135, 150, 165, 180	APPLICATOR SPEC: 10 SCALE: 1:1 SHEET: 4 of 4	SIZE: A1 DATE CODE: 00779 DRAWING NO: 529535-1 RESTRICTED TO: CUSTOMER DRAWING	MATERIAL: FINISH: