

PLEASE CHECK WWW.MOLEX.COM FOR LATEST PART INFORMATION

Part Number: [0743209076](#)
Status: **Active**
Description: MicroCross™ DVI-D Digital Visual Interface, PCB Receptacle, Through Hole, Right Angle, 2.79mm (.123") P.C. Tail Length, Jackpost pre-tightened Type, 24 Circuits, Lead Free

Documents:

[Drawing \(PDF\)](#) [RoHS Certificate of Compliance \(PDF\)](#)

Agency Certification

UL E29179

General

Product Family I/O Connectors
 Series [74320](#)
 Application Wire-to-Board
 Comments DDWG (Digital Display Working Group) Standard
 Component Type Receptacle
 Product Name MicroCross™DVI
 Type N/A

Physical

Boot Color N/A
 Circuits (Loaded) 24
 Circuits (maximum) 24
 Color - Resin Natural
 Durability (mating cycles max) 100
 Flammability 94V-0
 Gender Receptacle
 Keying to Mating Part Yes
 Lock to Mating Part Yes
 Material - Metal Copper Alloy
 Material - Plating Mating Gold
 Material - Plating Termination Tin
 Number of Rows 3
 Orientation Right Angle
 PC Tail Length (in) 0.110 In
 PC Tail Length (mm) 2.79 mm
 PCB Locator Yes
 PCB Retention Yes
 Packaging Type Tray
 Panel Mount Yes
 Pitch - Mating Interface (in) 0.075 In
 Pitch - Mating Interface (mm) 1.91 mm
 Pitch - Term. Interface (in) 0.075 In
 Pitch - Term. Interface (mm) 1.91 mm
 Plating min: Mating (µin) 2
 Plating min: Mating (µm) 0.05
 Plating min: Termination (µin) 100
 Plating min: Termination (µm) 2.50
 Polarized to Mating Part Yes
 Polarized to PCB Yes
 Ports 1
 Surface Mount Compatible (SMC) No
 Temperature Range - Operating -20°C to +85°C
 Termination Interface: Style Through Hole

EU RoHS

ELV and RoHS Compliant

REACH SVHC

Not Reviewed

Halogen-Free

Status

Not Reviewed

China RoHS



Need more information on product environmental compliance?

Email productcompliance@molex.com
 For a multiple part number RoHS Certificate of Compliance, [click here](#)

Please visit the [Contact Us](#) section for any non-product compliance questions.

Search Parts in this Series

[74320Series](#)

Mates With

[88744](#) , [74323](#)

Waterproof / Dustproof	No
Wire Size AWG	N/A
Electrical	
Current - Maximum per Contact	3A
Grounding to Panel	Yes
Shield Type	Full Shield
Shielded	Yes
Voltage - Maximum	40V AC (RMS)

Material Info

Reference - Drawing Numbers

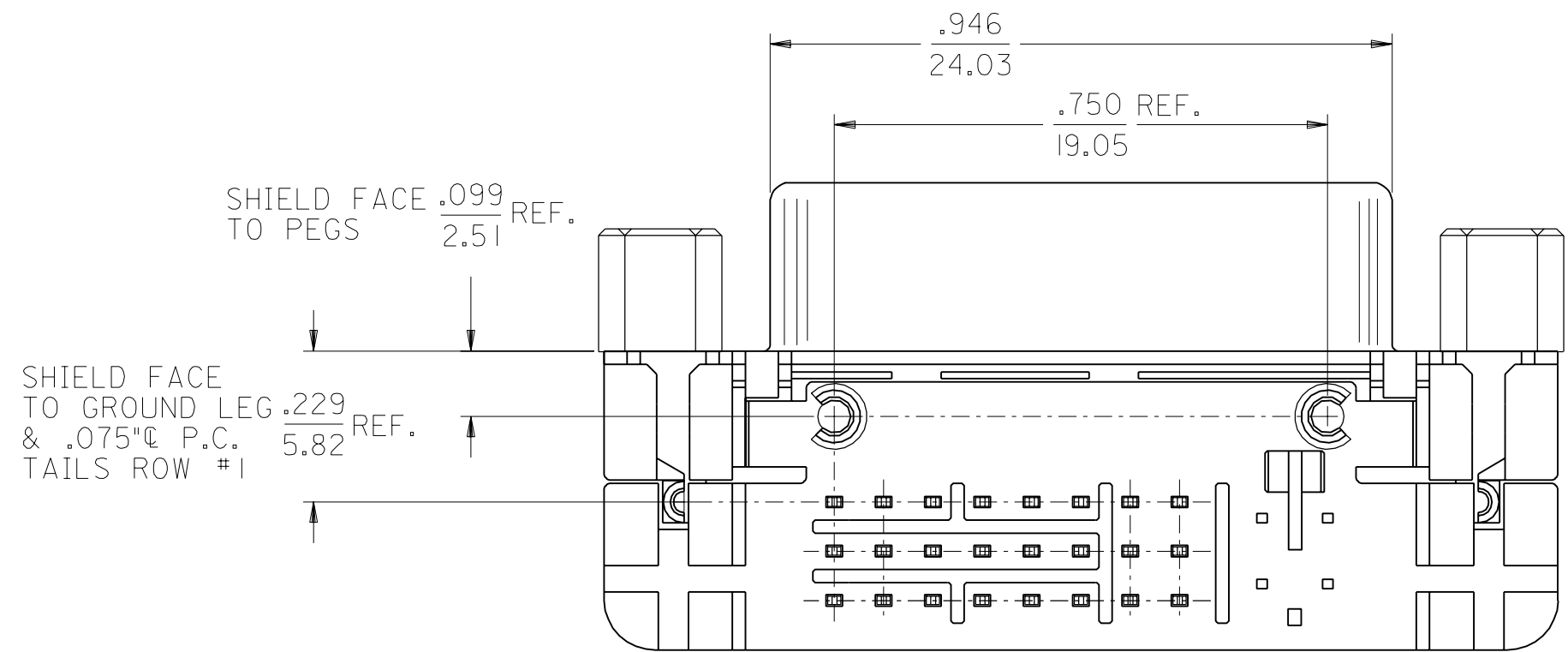
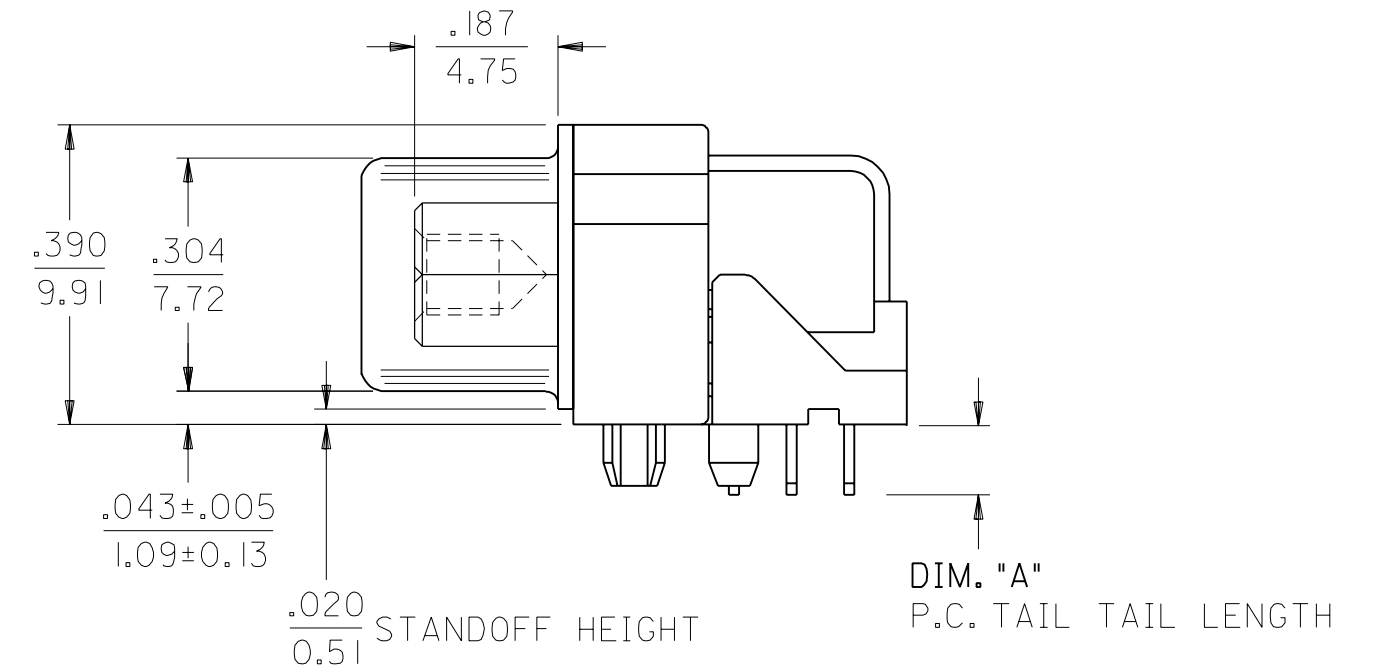
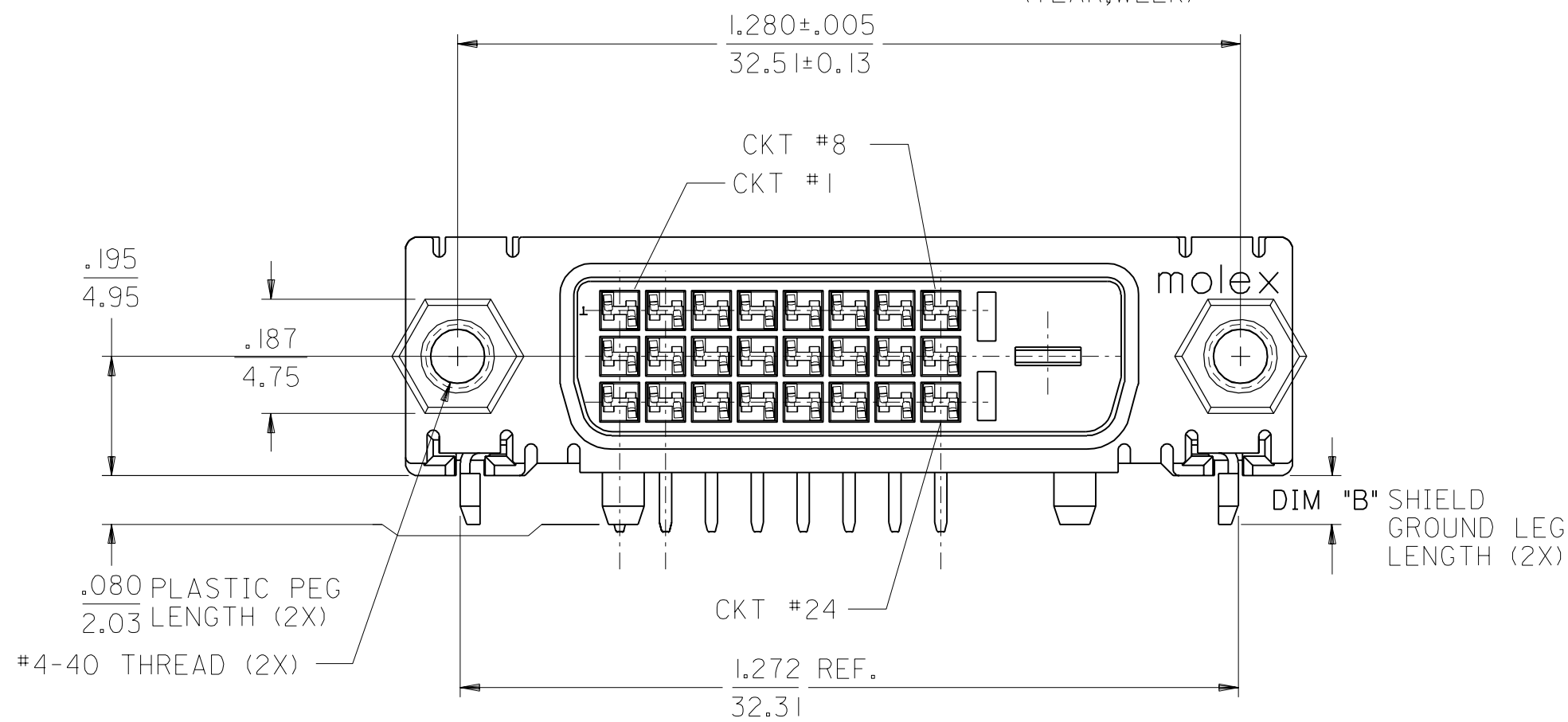
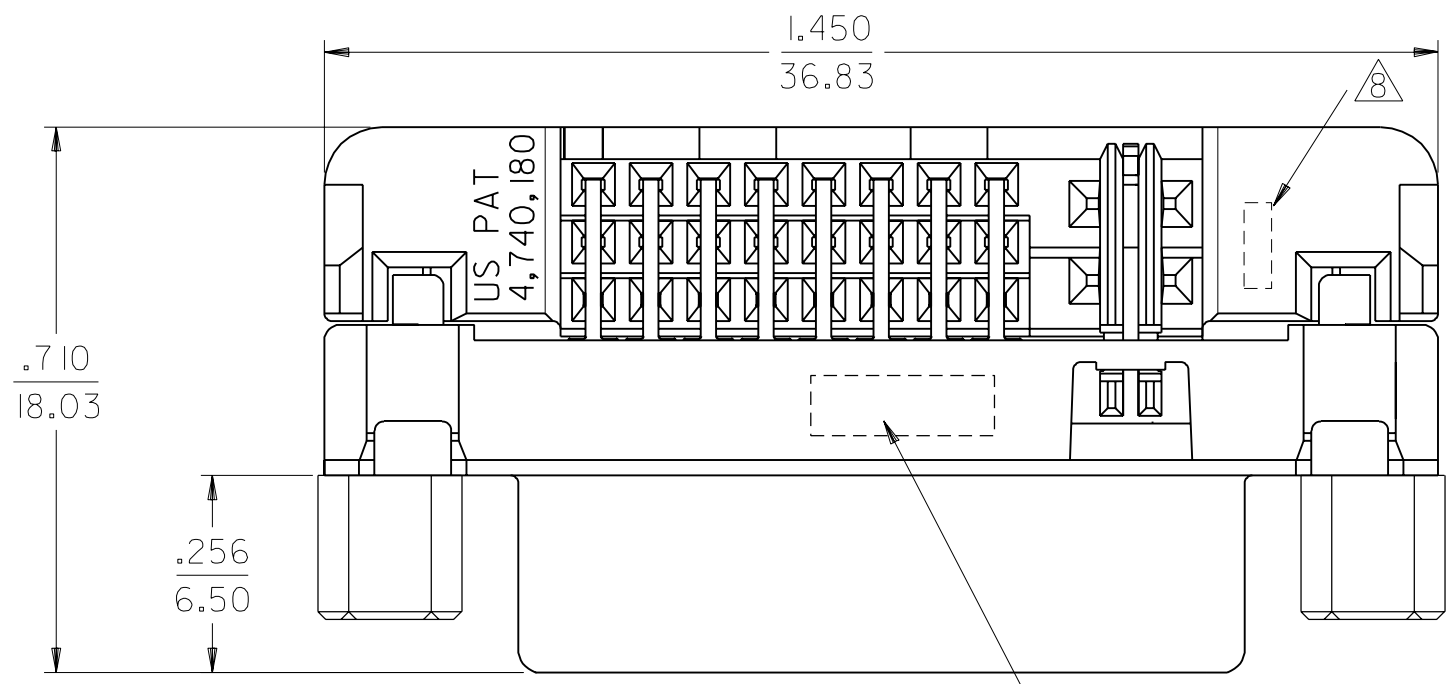
Packaging Specification	PK-74320-010
Sales Drawing	SD-74320-037

This document was generated on 05/10/2010

PLEASE CHECK WWW.MOLEX.COM FOR LATEST PART INFORMATION

NOTES:

- MATERIALS:
 SHIELD -- DEEP DRAW STEEL.
 HOUSING -- GLASS FILLED POLYMER, NATURAL (WHITE), UL 94v-0.
 TAIL ALIGNER -- GLASS FILLED POLYMER, NATURAL (WHITE), UL 94v-0.
 CONTACTS -- COPPER ALLOY.
 MICROCROSS GROUND -- COPPER ALLOY.
 JACKPOST -- STEEL.
 - PLATING: SEE SHEET 2
 - PRODUCT CONFORMS TO MOLEX PRODUCT SPECIFICATION NUMBER PS-74320-001.
 - SEE SHEET 2 FOR RECOMMENDED PANEL CUT-OUT AND P.C.B. LAYOUT.
 - PARTS WILL BE PACKAGED IN TRAYS.
 - PRODUCT CONFORMS TO DDWG DVI SPECIFICATION. REFER TO THIS SPECIFICATION FOR CONNECTOR MATING DIMENSIONS.
 - REFER TO PRODUCT SPECIFICATION NUMBER PS-74320-001 FOR THE APPLICATION TORQUE REQUIREMENT FOR ASSEMBLING MOUNTING HARDWARE.
- △ CAVITY NO. AND MANUFACTURING PLANT CODE.



PART NUMBER	PLATING OPTION (TERMINAL)	DIM "A"	DIM "B"
74320-9070	1 (30u" GOLD)	.092/2.34	.080±.020
74320-9071	1 (30u" GOLD)	.050/1.27	2.03±0.51
74320-9073	1 (30u" GOLD)	.123/3.12	.110/2.79
74320-9074	2 (GOLD FLASH)	.092/2.34	.080±.020
74320-9075	2 (GOLD FLASH)	.050/1.27	2.03±0.51
74320-9076	2 (GOLD FLASH)	.110/2.79	.110/2.79
74320-9077	2 (GOLD FLASH)	.123/3.12	.110/2.79

MODIFICATION EC NO. SH2004-0130 DRWN: DXUE 04/03/05 CHK: HARVEY 04/03/11 APPR: SHUANG 04/03/12	QUALITY SYMBOLS MAJOR = 0 CRITICAL = 0	GENERAL TOLERANCES: (UNLESS SPECIFIED)		SCALE 4 : 1	DESIGN UNITS <input type="checkbox"/> mm <input checked="" type="checkbox"/> INCH	THIRD ANGLE PROJECTION	DIMENSIONS: <input type="checkbox"/> INCH ONLY <input type="checkbox"/> mm ONLY	SHT REV	
		4 PLACES ±0. mm INCH		DRAWN BY & DATE Allen Lin '01/11/20		TITLE: DVI - DIGITAL			
		3 PLACES ±0. mm INCH		CHECKED BY & DATE VLIN '01/11/20		R/A JACKPOST-PRE-TIGHTEN TYPE WITH RECEPTACLE CONN.			
		2 PLACES ±0.25 mm INCH		APPROVED BY & DATE ELAN '01/11/20		MOLEX INCORPORATED			
1 PLACE ±0.25 mm INCH		ANGULAR: ± 1/2°		CAD FILENAME S7432037.S01	MATERIAL NO. SEE CHART	DRAWING NO. SD-74320-037	SHEET NO. 1 OF 2		
DRAFT WHERE APPLICABLE MUST REMAIN WITHIN DIMENSIONS		THIS DRAWING CONTAINS INFORMATION THAT IS PROPRIETARY TO MOLEX INCORPORATED AND SHOULD NOT BE USED WITHOUT WRITTEN PERMISSION.							SIZE C

PLATING OPTIONS:

PLATING OPTION #1:

OUTER SHIELD -- 150u"/(3.75um) MIN. BRIGHT TIN OVER
50u"/(1.27um) MIN. NICKEL OVER COPPER FLASH.

TERMINAL :

.075"/(1.91mm) CONTACTS -- 30u"/(0.75um) MIN. SELECT GOLD AND
100u"/(2.50um) MIN. SELECT PURE TIN
OVER 50u"/(1.27um) MIN. NICKEL OVERALL.

JACKPOST -- ZINC PLATE W/CLEAR CHROMATE.

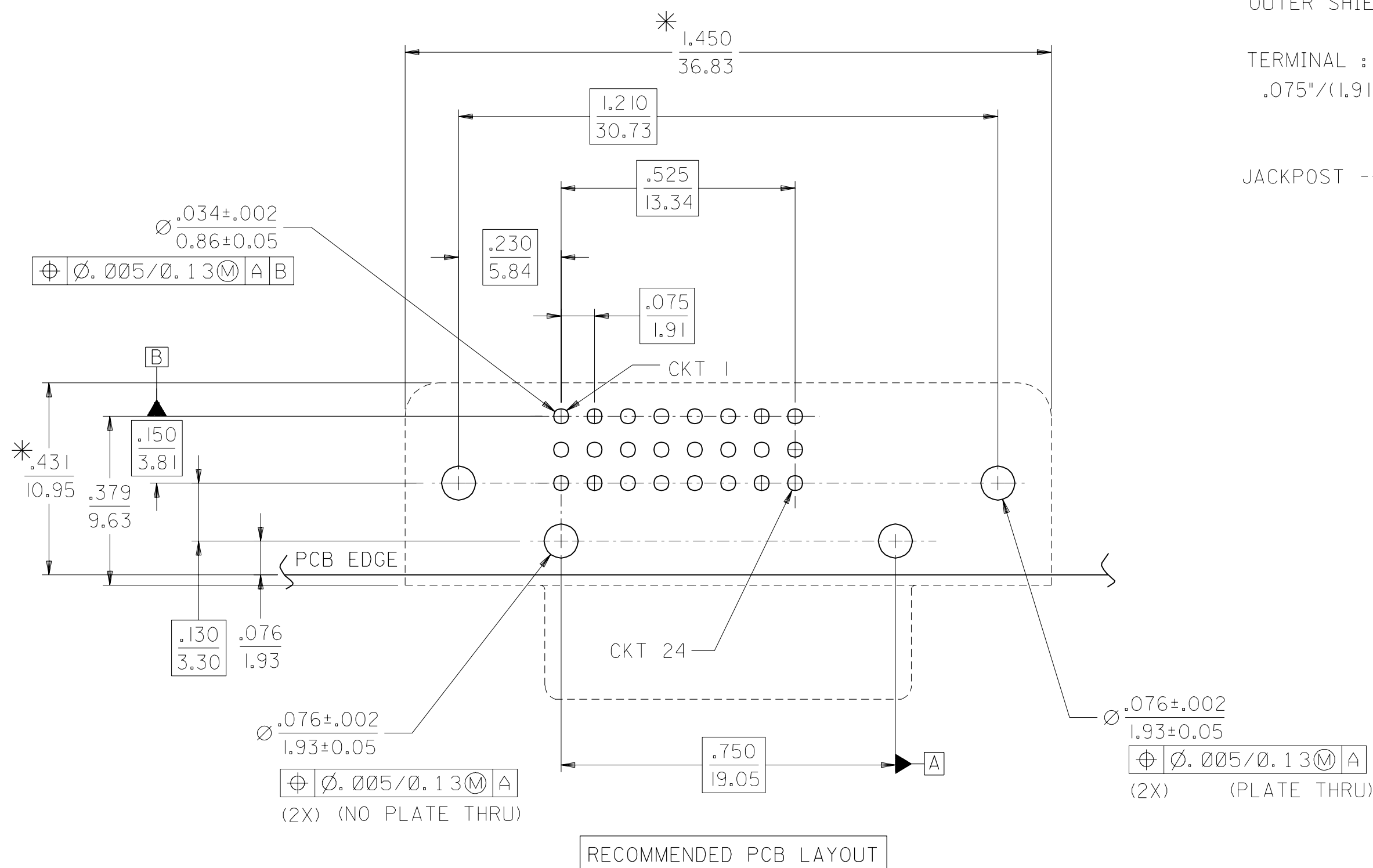
PLATING OPTION #2:

OUTER SHIELD -- 150u"/(3.75um) MIN. BRIGHT TIN OVER
50u"/(1.27um) MIN. NICKEL OVER COPPER FLASH.

TERMINAL :

.075"/(1.91mm) CONTACTS -- SELECT GOLD FLASH AND
100u"/(2.50um) MIN. SELECT PURE TIN
OVER 50u"/(1.27um) MIN. NICKEL OVERALL.

JACKPOST -- ZINC PLATE W/CLEAR CHROMATE.



MODIFICATION EC NO. SH2004-0130 DRWN: DXUE 04/03/05 CHK: HARVEY 04/03/11 APPR: SHUANG 04/03/12	DESCRIPTION MAJOR $\nabla = 0$ CRITICAL $\nabla C = 0$	QUALITY SYMBOLS		GENERAL TOLERANCES: (UNLESS SPECIFIED)		SCALE 4 : 1	DESIGN UNITS <input type="checkbox"/> mm <input checked="" type="checkbox"/> INCH	THIRD ANGLE PROJECTION	DIMENSIONS: <input type="checkbox"/> INCH ONLY <input checked="" type="checkbox"/> mm <input type="checkbox"/> INCH <input type="checkbox"/> mm ONLY	SHT REV
		4 PLACES $\pm 0.$ $\pm .$	3 PLACES $\pm 0.$ $\pm .010$	2 PLACES ± 0.25 $\pm .010$	1 PLACE ± 0.25 $\pm .010$	DRAWN BY & DATE Allen Lin '01/11/20	TITLE: DVI - D R/A JACKPOST- PRE - TIGHTEN TYPE WITH RECEPTACLE CONN.			
		ANGULAR: $\pm 1/2^\circ$				CHECKED BY & DATE VLIN '01/11/20	MOLEX INCORPORATED			
		DRAFT WHERE APPLICABLE MUST REMAIN WITHIN DIMENSIONS				APPROVED BY & DATE ELAN '01/11/20	CAD FILENAME S7432037.S02	MATERIAL NO. SEE CHART	DRAWING NO. SD-74320-037	SHEET NO. 2
THIS DRAWING CONTAINS INFORMATION THAT IS PROPRIETARY TO MOLEX INCORPORATED AND SHOULD NOT BE USED WITHOUT WRITTEN PERMISSION.									SIZE C	