

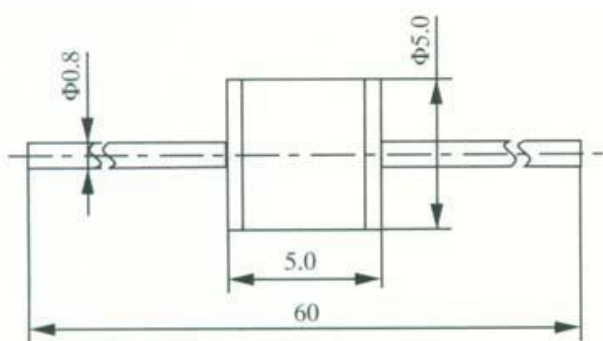
2-Electrode Gas Discharge Tubes

5KA



1: Dimension(mm)

Fast Delivery Time



2R75A Photo

2:Main Applications

- PCI Cards protection
- Telephone/Fax/Modem protection
- single line protection
- ADSL/XDSL Splitter,Power Supply
- Surge Protection Device/Surge Protector

3:Features

- 100% Lead-Free(RoHs Compliant)
- Non-Radioactive
- Low capacitance ($\leq 1\text{pF}$)
- Fast Response-time,High Insulation Resistance.
- Small size :Ø5x5(mm)

4 Electrical Characteristics

Part Number	DC Spark-over Voltage @ 100V/S	Impulse Spark-over Voltage @100V/ μs	Impulse Spark-over Voltage @1KV/ μs	Insulation Resistance	Impulse discharge current(8/20 μs)		AC discharge current (50Hz,1s,10ti mes)	Capacitance (1MHz)
	V	V	V	G Ω	10 Times	1 Time	A	PF
2R75A	75 $\pm 20\%$	<500	<600	>1	5KA	10KA	5	≤ 1
2R90A	90 $\pm 20\%$	<500	<600	>1	5KA	10KA	5	≤ 1
2R150A	150 $\pm 20\%$	<500	<600	>1	5KA	10KA	5	≤ 1
2R230A	230 $\pm 20\%$	<600	<700	>1	5KA	10KA	5	≤ 1
2R250A	250 $\pm 20\%$	<600	<700	>1	5KA	10KA	5	≤ 1
2R300A	300 $\pm 20\%$	<800	≤ 900	>1	5KA	10KA	5	≤ 1
2R350A	350 $\pm 20\%$	<900	≤ 1000	>1	5KA	10KA	5	≤ 1
2R400A	400 $\pm 20\%$	<900	≤ 1000	>1	5KA	10KA	5	≤ 1
2R420A	420 $\pm 20\%$	<900	≤ 1000	>1	5KA	10KA	5	≤ 1
2R470A	470 $\pm 20\%$	<1100	≤ 1200	>1	5KA	10KA	5	≤ 1
2R500A	500 $\pm 20\%$	<1100	≤ 1200	>1	5KA	10KA	5	≤ 1
2R600A	600 $\pm 20\%$	<1200	≤ 1300	>1	5KA	10KA	5	≤ 1
2R800A	800 $\pm 20\%$	<1300	<1400	>1	5KA	10KA	5	≤ 1

Packing Quantity : 100PCS

Shen Zhen HuaXinAn Electronics Co.,Ltd

sales@huaandz.com

abc0734@126.com