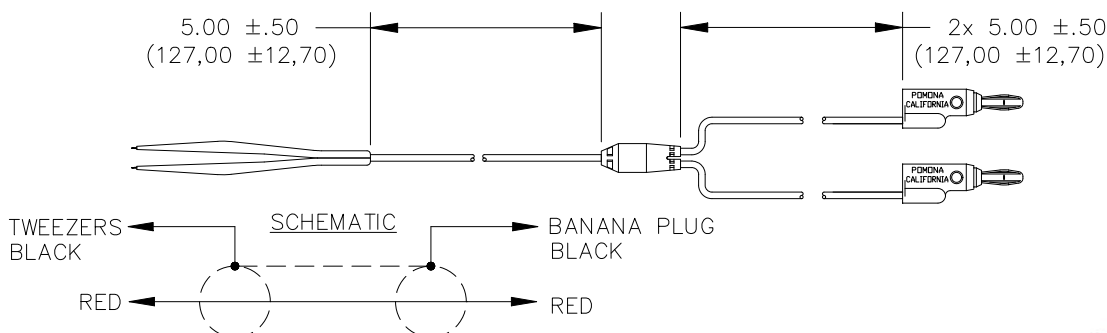


## Model 5143 SMD Test Tweezer™ To Single Stacking Banana Plugs



### Features

- Test Tweezer™ clip is specially designed for fast, convenient testing of surface mounted devices (SMDs).
- Durable tips assure a positive electrical connection.
- Cable is 48 inches long.

### Materials

- Connector: 1<sup>st</sup> End – SMD Test Tweezer™
- Contact: Beryllium Copper per QQ-C-533, Alloy 172, HT.
- Tweezer™ Body: Nylon, glass filled. Color: One half red, one half black.
- Marking: "POMONA ELECTRONICS, TEST TWEEZERS"
- Finish: Contact – Gold plated per MIL-G-45204, Latest Revision, Type II, Class 00 over Sulfamate nickel per QQ-N 290, Latest Revision, 50/100 microinches.
- Cable: RG 174/U, 26 AWG, PVC insulated, 2.54 (.100) O.D.
- Nominal Impedance: 50 Ohms. Marking: "POMONA ELECTRONICS 5143-K-\*\*"
- Molded Breakout: PVC molded to breakout leads and cable. Color: Black
- Wire: 20 AWG 41/36 stranded T.C., PVC insulated, 2.21 (.087) O.D. Color matches color of Banana Plugs
- Connector: 2<sup>nd</sup> End – Standard Stacking Banana Plugs
- Banana Plug Body: Brass per QQ-B-626, Alloy 360, ½ Hard.
- Spring: Beryllium Copper per QQ-C-533, Alloy 172, Cond. HT.
- Finish: Nickel plated per QQ-N-290, Class 2, 200/300 microinches.
- Insulation: Polypropylene molded to plug bodies and wire. Color: One red, one black.
- Marking: "POMONA ELECTRONICS"



### Ratings

- Operating Temperature: +50°C (+122°F) Max.
- Operating Voltage: For *CE compliance* and for personal safety, do not hold in hand when voltages exceed 30 Vrms/60 Vdc. Maximum voltage for *hands free use* in controlled testing environments: 400 Vrms Max. Do not use on circuits where transient stresses can exceed the rated voltage.
- Current: 3 Amperes

### Ordering Information

Model: 5143-K-48

USA: Sales: 800-490-2361  
Technical Support: [technicalsupport@pomonatest.com](mailto:technicalsupport@pomonatest.com)  
Fax: 425-446-5844

Europe: 31-(0) 40 2675 150 International: 425-446-5500

Where to Buy: [www.pomonaelectronics.com](http://www.pomonaelectronics.com)

All dimensions are in inches. Tolerances (except noted): .xx = ±.02" (.51 mm), .xxx = ±.005" (.127 mm). All specifications are to the latest revisions. Specifications are subject to change without notice. Registered trademarks are the property of their respective companies.