

PLEASE CHECK WWW.MOLEX.COM FOR LATEST PART INFORMATION

Part Number: [0395232006](#)
Status: **Active**
Description: 5.00mm (.197") Pitch Eurostyle™ Vertical Plug, Rear Wire Entry, 6 Circuits

Documents:

[Drawing \(PDF\)](#) [RoHS Certificate of Compliance \(PDF\)](#)
[Product Specification PS-39500-001 \(PDF\)](#)

General

| | |
|-----------------------------|---------------------------|
| Product Family | Terminal Blocks |
| Series | 39523 |
| Application | Wire-to-Board |
| Comments | Rear Wire Entry |
| Component Type | Plug |
| Product Literature Order No | USA-355 |
| Product Name | ESE, Eurostyle™ Pluggable |
| Type | Euro Block |

Physical

| | |
|-------------------------------|--------------------------------|
| Circuits (Loaded) | 6 |
| Entry Angle | Horizontal |
| Lock to Mating Part | Yes |
| Number of Rows | 1 |
| Orientation | Vertical |
| Panel Mount | No |
| Pitch - Mating Interface (in) | 0.197 In |
| Pitch - Mating Interface (mm) | 5.00 mm |
| Polarized to Mating Part | Yes |
| Stackable | No |
| Temperature Range - Operating | -40°C to +105°C |
| Wire Size AWG | 12, 14, 16, 18, 20, 22, 24, 26 |
| Wire Size mm² | 0.13 - 3.31 |

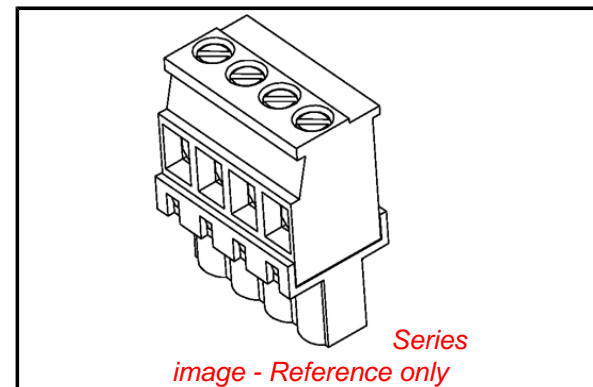
Electrical

| | |
|-------------------------------|------|
| Current - Maximum per Contact | 15A |
| Voltage - Maximum | 300V |

Material Info

Reference - Drawing Numbers

| | |
|-----------------------|--------------|
| Product Specification | PS-39500-001 |
| Sales Drawing | SD-39523-002 |



EU RoHS

RoHS Compliant by Exemption

REACH SVHC

Not Reviewed

Halogen-Free

Status

Not Reviewed

China RoHS



Pb

Need more information on product environmental compliance?

Email productcompliance@molex.com
 For a multiple part number RoHS Certificate of Compliance, [click here](#)

Please visit the [Contact Us](#) section for any non-product compliance questions.

Search Parts in this Series

[39523Series](#)

Mates With

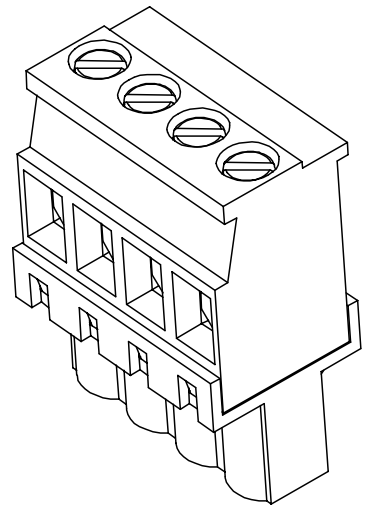
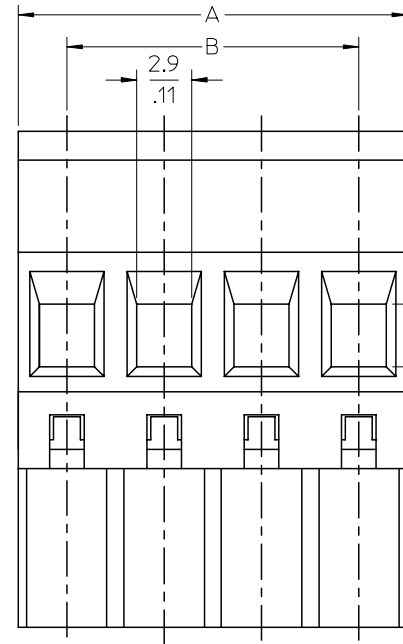
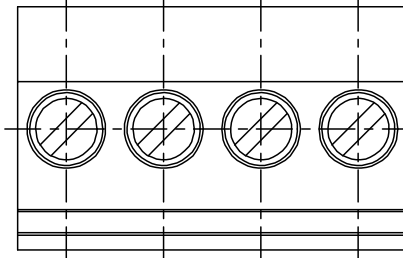
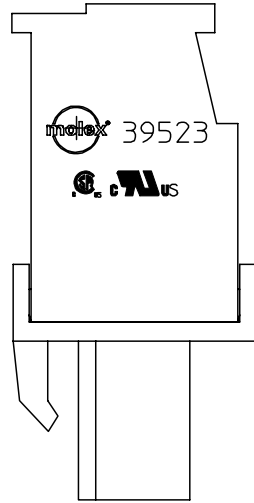
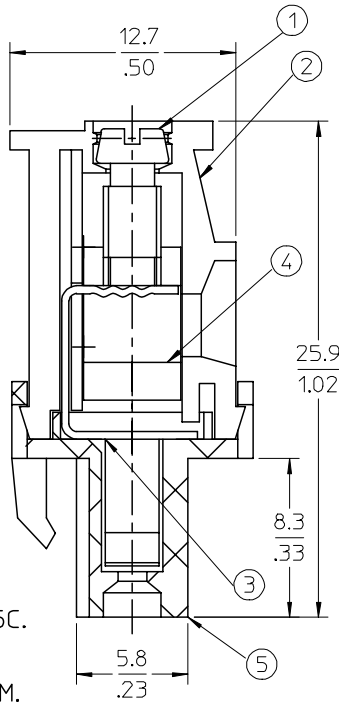
[39521](#) Vertical PCB Header, [39522](#) Horizontal PCB Header, Most 5.00mm (.197") Pitch Industry Standard PCB Headers, [39528](#) Dual Level PCB Header, Open Ends

10 9 8 7 6 5 4 3 2 1

F
E
D
C
B
A

SPECIFICATIONS:

1. Material:
 - (1). Screw: Steel
 - (2). Cover: PA66
 - (3). Terminal: Phosphor Bronze
 - (4). Cage: Brass
 - (5). Body: PA66
2. Wire range: 12 - 26 AWG
3. Electrical rating: 300V, 15A.
4. Wire strip length: 5.0mm.
5. Operating temperature: -40C to +105C.
6. Max torque: 5 In Lbs.
7. Insulation resistance: DC 500V, 500M.
8. Dielectric withstand: AC 2500V for 1 minute.
9. Breakdown voltage: 4000V.
10. Contact resistance: <10 mW.
11. A = (N x P)
12. B = (N - 1) x P
13. P (PITCH) = 5.0mm (.197").
14. N = Number of positions available 2 through 24.



F
E
D
C
B
A

| | | | | | | | | | | |
|--|-------------------------------|--|-----------------------|---|-------------------|------------------------------|----------------------|------------------------|---|--|
| ENTER DESCRIPTION EC NO: NEC2006-0310 DRWNL: LROTHAUS 2006/01/09 CHKD: CYORK 2006/01/09 APPR: JPAMLIK 2006/01/10 | QUALITY SYMBOLS ▽=0 ▽=0 | GENERAL TOLERANCES (UNLESS SPECIFIED) | | DIMENSION STYLE MM/IN | | SCALE 4:1 | DESIGN UNITS INCH | THIRD ANGLE PROJECTION | | |
| | | 4 PLACES ± --- ±.0015 | 3 PLACES ±0.038 ±.005 | 2 PLACES ±0.13 ±.01 | 1 PLACE ±0.3 ±--- | ANGULAR ± 2° | DRAWN BY LROTHAUS | DATE 12/6/05 | TITLE 5.0MM, EURO PLUG, VERTICAL, FRONT WIRE ENTRY | |
| | | DRAFT WHERE APPLICABLE MUST REMAIN WITHIN DIMENSIONS | | MATERIAL NO. SEE CHART | | APPROVED BY C. YORK | | DATE 01/06/06 | MOLEX INCORPORATED | |
| | | SIZE B | | THIS DRAWING CONTAINS INFORMATION THAT IS PROPRIETARY TO MOLEX INCORPORATED AND SHOULD NOT BE USED WITHOUT WRITTEN PERMISSION | | DOCUMENT NO. SD-39523-002 | | SHEET NO. 1 OF 1 | | |

9 8 7 6 5 4 3 2 1

| Description | Circuit size | Material Numbers | | | | | | | | | | | | Dimensional Information | | | |
|--|--------------|------------------|-----------|-----------|------------------|-----------|-----------|------------------|-----------|-----------|------------------|-----------|-----------|-------------------------|-------|--------|-------|
| | | Black | | | | | | Green | | | | | | Dim. A | | Dim B | |
| | | 100% Tin | | | 30 u" Gold | | | 100% Tin | | | 30 u" Gold | | | mm | inch | mm | inch |
| | | Printing Options | | | Printing Options | | | Printing Options | | | Printing Options | | | | | | |
| None | 10AV | 11AV | None | 10AV | 11AV | None | 10AV | 11AV | None | 10AV | 11AV | mm | inch | mm | inch | | |
| 5.0mm, Euro Plug, Vertical, Front Wire Entry | 2 | 395232002 | 395232302 | 395232402 | 395232502 | 395232802 | 395232902 | 395237002 | 395237302 | 395237402 | 395237502 | 395237802 | 395237902 | 10.00 | 0.394 | 5.00 | 0.197 |
| 5.0mm, Euro Plug, Vertical, Front Wire Entry | 3 | 395232003 | 395232303 | 395232403 | 395232503 | 395232803 | 395232903 | 395237003 | 395237303 | 395237403 | 395237503 | 395237803 | 395237903 | 15.00 | 0.591 | 10.00 | 0.394 |
| 5.0mm, Euro Plug, Vertical, Front Wire Entry | 4 | 395232004 | 395232304 | 395232404 | 395232504 | 395232804 | 395232904 | 395237004 | 395237304 | 395237404 | 395237504 | 395237804 | 395237904 | 20.00 | 0.787 | 15.00 | 0.591 |
| 5.0mm, Euro Plug, Vertical, Front Wire Entry | 5 | 395232005 | 395232305 | 395232405 | 395232505 | 395232805 | 395232905 | 395237005 | 395237305 | 395237405 | 395237505 | 395237805 | 395237905 | 25.00 | 0.984 | 20.00 | 0.787 |
| 5.0mm, Euro Plug, Vertical, Front Wire Entry | 6 | 395232006 | 395232306 | 395232406 | 395232506 | 395232806 | 395232906 | 395237006 | 395237306 | 395237406 | 395237506 | 395237806 | 395237906 | 30.00 | 1.181 | 25.00 | 0.984 |
| 5.0mm, Euro Plug, Vertical, Front Wire Entry | 7 | 395232007 | 395232307 | 395232407 | 395232507 | 395232807 | 395232907 | 395237007 | 395237307 | 395237407 | 395237507 | 395237807 | 395237907 | 35.00 | 1.378 | 30.00 | 1.181 |
| 5.0mm, Euro Plug, Vertical, Front Wire Entry | 8 | 395232008 | 395232308 | 395232408 | 395232508 | 395232808 | 395232908 | 395237008 | 395237308 | 395237408 | 395237508 | 395237808 | 395237908 | 40.00 | 1.575 | 35.00 | 1.378 |
| 5.0mm, Euro Plug, Vertical, Front Wire Entry | 9 | 395232009 | 395232309 | 395232409 | 395232509 | 395232809 | 395232909 | 395237009 | 395237309 | 395237409 | 395237509 | 395237809 | 395237909 | 45.00 | 1.772 | 40.00 | 1.575 |
| 5.0mm, Euro Plug, Vertical, Front Wire Entry | 10 | 395232010 | 395232310 | 395232410 | 395232510 | 395232810 | 395232910 | 395237010 | 395237310 | 395237410 | 395237510 | 395237810 | 395237910 | 50.00 | 1.969 | 45.00 | 1.772 |
| 5.0mm, Euro Plug, Vertical, Front Wire Entry | 11 | 395232011 | 395232311 | 395232411 | 395232511 | 395232811 | 395232911 | 395237011 | 395237311 | 395237411 | 395237511 | 395237811 | 395237911 | 55.00 | 2.165 | 50.00 | 1.969 |
| 5.0mm, Euro Plug, Vertical, Front Wire Entry | 12 | 395232012 | 395232312 | 395232412 | 395232512 | 395232812 | 395232912 | 395237012 | 395237312 | 395237412 | 395237512 | 395237812 | 395237912 | 60.00 | 2.362 | 55.00 | 2.165 |
| 5.0mm, Euro Plug, Vertical, Front Wire Entry | 13 | 395232013 | 395232313 | 395232413 | 395232513 | 395232813 | 395232913 | 395237013 | 395237313 | 395237413 | 395237513 | 395237813 | 395237913 | 65.00 | 2.559 | 60.00 | 2.362 |
| 5.0mm, Euro Plug, Vertical, Front Wire Entry | 14 | 395232014 | 395232314 | 395232414 | 395232514 | 395232814 | 395232914 | 395237014 | 395237314 | 395237414 | 395237514 | 395237814 | 395237914 | 70.00 | 2.756 | 65.00 | 2.559 |
| 5.0mm, Euro Plug, Vertical, Front Wire Entry | 15 | 395232015 | 395232315 | 395232415 | 395232515 | 395232815 | 395232915 | 395237015 | 395237315 | 395237415 | 395237515 | 395237815 | 395237915 | 75.00 | 2.953 | 70.00 | 2.756 |
| 5.0mm, Euro Plug, Vertical, Front Wire Entry | 16 | 395232016 | 395232316 | 395232416 | 395232516 | 395232816 | 395232916 | 395237016 | 395237316 | 395237416 | 395237516 | 395237816 | 395237916 | 80.00 | 3.150 | 75.00 | 2.953 |
| 5.0mm, Euro Plug, Vertical, Front Wire Entry | 17 | 395232017 | 395232317 | 395232417 | 395232517 | 395232817 | 395232917 | 395237017 | 395237317 | 395237417 | 395237517 | 395237817 | 395237917 | 85.00 | 3.346 | 80.00 | 3.150 |
| 5.0mm, Euro Plug, Vertical, Front Wire Entry | 18 | 395232018 | 395232318 | 395232418 | 395232518 | 395232818 | 395232918 | 395237018 | 395237318 | 395237418 | 395237518 | 395237818 | 395237918 | 90.00 | 3.543 | 85.00 | 3.346 |
| 5.0mm, Euro Plug, Vertical, Front Wire Entry | 19 | 395232019 | 395232319 | 395232419 | 395232519 | 395232819 | 395232919 | 395237019 | 395237319 | 395237419 | 395237519 | 395237819 | 395237919 | 95.00 | 3.740 | 90.00 | 3.543 |
| 5.0mm, Euro Plug, Vertical, Front Wire Entry | 20 | 395232020 | 395232320 | 395232420 | 395232520 | 395232820 | 395232920 | 395237020 | 395237320 | 395237420 | 395237520 | 395237820 | 395237920 | 100.00 | 3.937 | 95.00 | 3.740 |
| 5.0mm, Euro Plug, Vertical, Front Wire Entry | 21 | 395232021 | 395232321 | 395232421 | 395232521 | 395232821 | 395232921 | 395237021 | 395237321 | 395237421 | 395237521 | 395237821 | 395237921 | 105.00 | 4.134 | 100.00 | 3.937 |
| 5.0mm, Euro Plug, Vertical, Front Wire Entry | 22 | 395232022 | 395232322 | 395232422 | 395232522 | 395232822 | 395232922 | 395237022 | 395237322 | 395237422 | 395237522 | 395237822 | 395237922 | 110.00 | 4.331 | 105.00 | 4.134 |
| 5.0mm, Euro Plug, Vertical, Front Wire Entry | 23 | 395232023 | 395232323 | 395232423 | 395232523 | 395232823 | 395232923 | 395237023 | 395237323 | 395237423 | 395237523 | 395237823 | 395237923 | 115.00 | 4.528 | 110.00 | 4.331 |
| 5.0mm, Euro Plug, Vertical, Front Wire Entry | 24 | 395232024 | 395232324 | 395232424 | 395232524 | 395232824 | 395232924 | 395237024 | 395237324 | 395237424 | 395237524 | 395237824 | 395237924 | 120.00 | 4.724 | 115.00 | 4.528 |

| | | | | | | | | |
|--|-------------------------------|--|--|--------------------|--|---|--------------|------------------------|
| SEE SHEET 1 EC NO: NEC2006-0310 DRWNL:ROTHAUS 2006/01/09 CHKD:C:YORK 2006/01/09 APPR:JP:AMLIK 2006/01/10 | QUALITY SYMBOLS ▽=0 ▽=0 | GENERAL TOLERANCES (UNLESS SPECIFIED) | | DIMENSION STYLE | | SCALE | DESIGN UNITS | THIRD ANGLE PROJECTION |
| | | | | MM/IN | | 4:1 | INCH | |
| | | | | DRAWN BY DATE | | TITLE | | |
| | | | | CHECKED BY DATE | | 5.0MM, EURO PLUG, VERTICAL, FRONT WIRE ENTRY | | |
| | | APPROVED BY DATE | | MOLEX INCORPORATED | | | | |
| | | ANGULAR ± 2 ° | | MATERIAL NO. | | DOCUMENT NO. | | SHEET NO. |
| | | DRAFT WHERE APPLICABLE MUST REMAIN WITHIN DIMENSIONS | | SEE CHART | | SD-39523-002 | | 2 OF 2 |
| | | | | SIZE B | | THIS DRAWING CONTAINS INFORMATION THAT IS PROPRIETARY TO MOLEX INCORPORATED AND SHOULD NOT BE USED WITHOUT WRITTEN PERMISSION | | |