

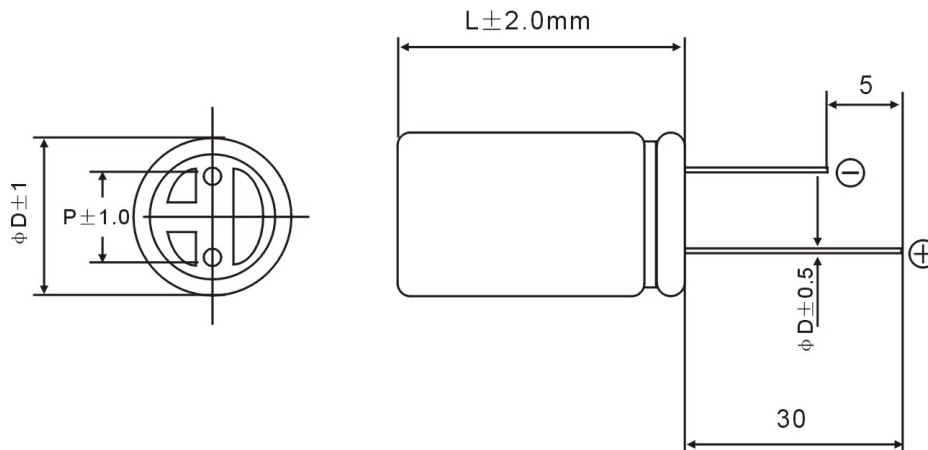
TS12S-R

FEATURES

Radial & Snap-in type
large capacity, VENT case.



SPECIFICATIONS	
Operating temperature	-40 to +70°C
Rated voltage	2.5VDC
Surge voltage	3.0VDC
Capacitance tolerance	-20% to +80%
Temperature Characteristics	+70°C $\Delta C/C$ $\leq 30\%$, ESR $\leq 100\%$ of specified value at 25°C -40°C $\Delta C/C$ $\leq 50\%$, ESR $\leq 400\%$ time of specified value at 25°C
High Temperature load	After 1000 hours, +70°C ± 2 , nominal voltage, $\Delta C/C$ $\leq 30\%$ of the initial measured value, ESR $\leq 400\%$ of the initial specified value
High Temperature without load	After 1000 hours, +70°C ± 2 , nominal voltage, $\Delta C/C$ $\leq 30\%$ of the initial measured value, ESR $\leq 200\%$ of the initial specified value
Humidity Resistance	After +40°C ± 2 , 90~95%RH, 240 hour $\Delta C/C$ $\leq 30\%$ of the initial measured value, IL $\leq 200\%$ of the initial specified value, ESR ≤ 4 time of the initial specified value



Part Number	Rated Capacitance	Operating Voltage	ESR 1KHz (MΩ)	Size (ØD ± 1mm x L ± 2.0mm)	P ± 1.0(mm)	Ø d (mm)
TS12S-R-2R5-704	0.7F	2.5V	600	Ø8x13	3.5	0.6
TS12S-R-2R5-105	1.0F	2.5V	300	Ø8x13	3.5	0.6
TS12S-R-2R5-205	2.0F	2.5V	120	Ø10x20	5.0	0.6
TS12S-R-2R5-305	3.0F	2.5V	90	Ø8x20	3.5	0.6
TS12S-R-2R5-335	3.3F	2.5V	80	Ø10x20	5.0	0.6
TS12S-R-2R5-475	4.7F	2.5V	60	Ø13x21	5.0	0.6
TS12S-R-2R5-805	8.0F	2.5V	50	Ø13x21	5.0	0.6
TS12S-R-2R5-106	10F	2.5V	35	Ø13x34	5.0	0.8
TS12S-R-2R5-206	20F	2.5V	25	Ø16x34	7.5	0.8
TS12S-R-2R5-306	30F	2.5V	20	Ø16x34	7.5	0.8
TS12S-R-2R5-506	50F	2.5V	20	Ø18x34	7.5	0.8
TS12S-R-2R5-906	90F	2.5V	10	Ø22x54	10	1.0
TS12S-R-2R5-127	120F	2.5V	10	Ø25x54	10	1.0

90F & 120F is Snap-in type, other is Radial type.

Note: Specification are subject to change without notice. For more detail and update, please visit our website.