

Customer Information Sheet

DRAWING No.: M22-253XXX

SHEET 2 OF 2

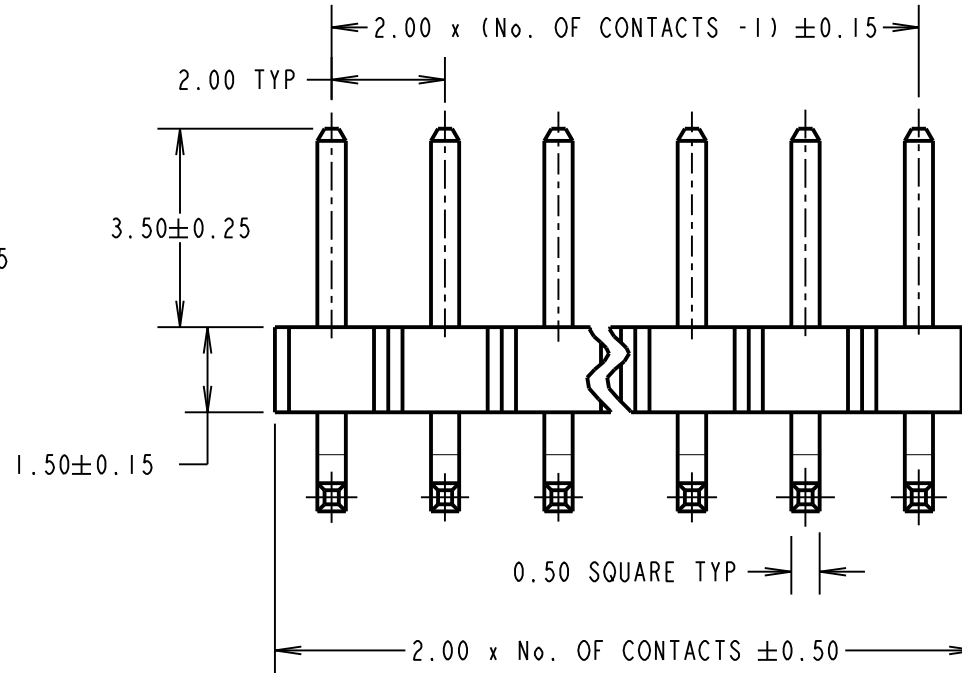
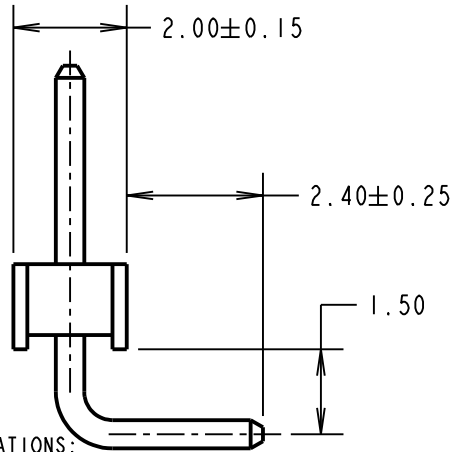
IF IN DOUBT - ASK

©

NOT TO SCALE

THIRD ANGLE PROJECTION

ALL DIMENSIONS IN mm



ORDER CODE:
M22-253XXX
 No. OF CONTACTS: _____
 02 TO 20
 FINISH: _____
 05 = GOLD
 46 = 100% TIN

SPECIFICATIONS:

MATERIAL:
 MOULDING = NYLON 6T, UL94V-0, BLACK
 CONTACTS = PHOSPHOR BRONZE

FINISH:
 05 = GOLD
 46 = 100% TIN

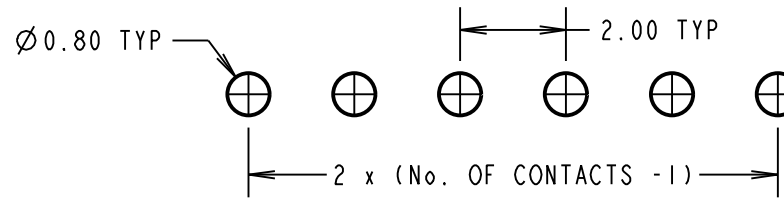
ELECTRICAL:
 CURRENT RATING = 2A
 VOLTAGE PROOF = 500V AC
 CONTACT RESISTANCE = 20mΩ MAX
 INSULATION RESISTANCE = 1,000MΩ MIN

MECHANICAL:
 DURABILITY = 300 OPERATIONS (GOLD), 50 OPERATIONS (TIN)
 INSERTION FORCE = 2N MAX
 WITHDRAWAL FORCE = 0.3N MIN

ENVIRONMENTAL:
 TEMPERATURE RANGE = -40°C TO +105°C

PACKING:
 BAG

FOR COMPLETE SPECIFICATION, SEE
 COMPONENT SPECIFICATION C018XX (LATEST ISSUE)



RECOMMENDED PCB LAYOUT
 (TOLERANCE = ±0.05)

NOTES:

1. ALL TOLERANCES ARE ±0.20 UNLESS OTHERWISE STATED.

FM	9	17.01.18	21036
NAME	ISS.	DATE	C/NOTE
APPROVED: F. MCGOWAN			
CHECKED: S. BENNETT			
DRAWN: W. J. BOURNE			
CUSTOMER REF.:			
ASSEMBLY DRG:			

HARWIN

www.harwin.com
 technical@harwin.com

THIS DRAWING AND ANY INFORMATION OR DESCRIPTIVE MATTER SET OUT HEREON ARE CONFIDENTIAL AND COPYRIGHT PROPERTY OF THE HARWIN GROUP AND MUST NOT BE DISCLOSED, LOANED, COPIED OR USED FOR MANUFACTURING, TENDERING OR FOR ANY OTHER PURPOSE WITHOUT THEIR WRITTEN PERMISSION.

TOLERANCES
~~X = ±1mm~~
~~X.X = ±0.50mm~~
~~X.XX = ±0.10mm~~
~~X.XXX = ±0.01mm~~
 ANGLES = ±5°
 UNLESS STATED

MATERIAL:
 SEE ABOVE
FINISH: SEE ABOVE
S/AREA: mm²

TITLE:
 2.00mm PITCH SIL HORIZONTAL
 PC TAIL PIN HEADER ASSEMBLY
DRAWING NUMBER:
M22-253XXX
 SHT 2 OF 2