

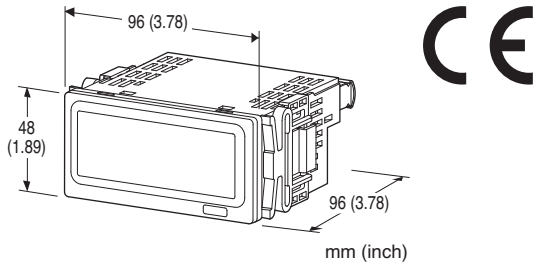
Digital Panel Meters 40 Series

AC VOLTAGE INPUT DIGITAL PANEL METER

(4 digit, process meter, true RMS sensing)

Functions & Features

- 4 digit (± 9999) panel meter
- Scaling and HOLD functions
- High visible, 0.8" (20.3mm) high and bright LED



MODEL: 40DPT-[1]-[2][3]

ORDERING INFORMATION

- Code number: 40DPT-[1]-[2][3]
- Specify a code from below for each of [1] through [3].
(e.g. 40DPT-V1-K3/Q)
- Specify the specification for option code /Q
(e.g. /C01/SET)

[1] INPUT

Voltage

- V1:** 0.0 - 200.0 mV AC (Conformance range)
(Input range: 0.0 - 240.0 mV AC, Input resistance: ≥ 100 k Ω)
- V2:** 0.000 - 2.000 V AC (Conformance range)
(Input range: 0.000 - 2.400 V AC, Input resistance: ≥ 1 M Ω)
- V3:** 0.00 - 20.00 V AC (Conformance range)
(Input range: 0.00 - 24.00 V AC, Input resistance: ≥ 1 M Ω)
- V4:** 0.0 - 200.0 V AC (Conformance range)
(Input range: 0.0 - 240.0 V AC, Input resistance: ≥ 1 M Ω)
- V5:** 0.0 - 400.0 V AC (Conformance range)
(Input range: 0.0 - 480.0 V AC, Input resistance: ≥ 1 M Ω)
(CE not available)

[2] POWER INPUT

AC Power

- K3:** 100 - 120V AC
(Operational voltage range 85 - 132 V, 47 - 66 Hz)
- L3:** 200 - 240V AC
(Operational voltage range 170 - 264 V, 47 - 66 Hz)

DC Power

R: 24 V DC

(Operational voltage range 24 V ± 20 %, ripple 10 %p-p max.)

[3] OPTIONS

blank: none

/Q: With options (specify the specification)

SPECIFICATIONS OF OPTION: Q (multiple selections)

COATING (For the detail, refer to M-System's web site.)

Moving parts and indicators are not coated.

/C01: Silicone coating

/C02: Polyurethane coating

/C03: Rubber coating

EX-FACTORY SETTING

/SET: Preset according to the Ordering Information Sheet
(No. ESU-9537)

GENERAL SPECIFICATIONS

Construction: Panel flush mounting

Connection: M3 screw terminals (torque 0.6 N·m)

Solderless terminal: Refer to the drawing at the end of the section.

Recommended manufacturer: Japan Solderless Terminal MFG.Co.Ltd, Nichifu Co.,Ltd

Applicable wire size: 0.25 to 1.65 mm² (AWG 22 to 16)

Screw terminal: Nickel-plated steel

Housing material: Flame-resistant resin (gray)

Isolation: Input to power

Input waveform

RMS sensing: Up to 15 % of 3rd harmonic content

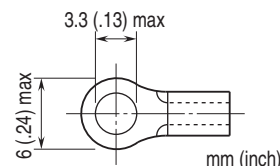
Sampling rate: 10 times/sec. (100 msec.)

Averaging: None or moving average

Setting: (Front button)

- Scaled range
- Low-end cutout
- Moving average
- Brightness
- Others

Recommended solderless terminal



DISPLAY

Display: 4 digits of 20.3 mm (0.8 inch) height, 7-segment, red LED

Display range: -9999 to 9999

Scaling range: -9999 to 9999 counts

Decimal point position: 10^{-1} , 10^{-2} , 10^{-3} or none

Zero indication: Higher-digit zeros are suppressed.

Over-range indication: '-9999' or '9999' blinking for display values out of the display range. 'S.ERR' blinks surpassing the permissible range. 'ERR' blinks when input scaling setting is inappropriate.

Engineering unit indication: Sticker label attached

DC, AC, mV, V, kV, μ A, mA, A, kA, mW, W, kW, var, kvar, Mvar, VA, Hz, Ω , k Ω , M Ω , cm, mm, m, m/sec, mm/min, cm/min, m/min, m/h, m/s², inch, l, l/s, l/min, l/h, m³, m³/sec, m³/min, m³/h, Nm³/h, N·m, N/m², g, kg, kg/h, N, kN, Pa, kPa, MPa, t, t/h, °C, °F, %RH, J, kJ, MJ, rpm, sec, min, pH, %, ppm, etc.

(input to power to ground)

STANDARDS & APPROVALS

EU conformity:

EMC Directive

EMI EN 61000-6-4

EMS EN 61000-6-2

Low Voltage Directive

EN 61010-1

Measurement Category I (input)

Installation Category II (power)

Pollution degree 2

Input to power: Reinforced insulation (300 V)

RoHS Directive

INPUT SPECIFICATIONS

■ **AC Input voltage**

Frequency: 40 - 100 Hz

Overload capacity: 120 % of max. measurement range (continuous)

- V1 Max. input: 10 V
- V2 Max. input: 100 V
- V3, V4, V5 Max. input: 500 V

Input burden: ≤ 0.5 VA

■ **Hold Input:** Dry contact input

Detecting level: ≤ 1.5 V

Sensing: Approx. 5 V DC, 1 mA

INSTALLATION

Power consumption

•AC:

≤ 2.7 VA for 100 - 120 V

≤ 3.4 VA for 200 - 240 V

•DC: ≤ 1.0 W

Operating temperature: -10 to +55°C (14 to 131°F)

Operating humidity: 30 to 90 %RH (non-condensing)

Mounting: Panel flush mounting

Weight: 180 g (0.40 lb)

PERFORMANCE

Input accuracy: $\pm 0.3\%$ rdg ± 1 digit,

$< 35\%$ of full scale: $\pm 0.3\%$ FS ± 1 digit

Temp. coefficient: $\pm 0.015\%$ /°C ($\pm 0.008\%$ /°F)

Line voltage effect: $\pm 0.2\%$ over voltage range

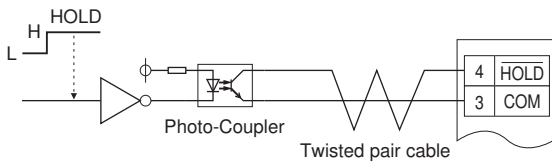
Insulation resistance: ≥ 100 M Ω with 500 V DC

Dielectric strength: 2000 V AC @ 1 minute

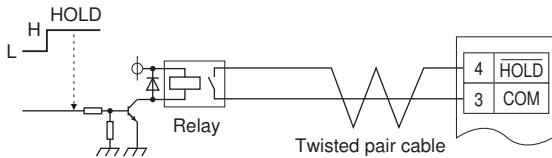
DISPLAY HOLD COMMAND

Displayed value is held with an external HOLD command input. Connect the contacts across HOLD to COM. (Isolate with photo-coupler or relay as terminals 3 and 4 are not isolated to input signal, terminals 1 and 2.)

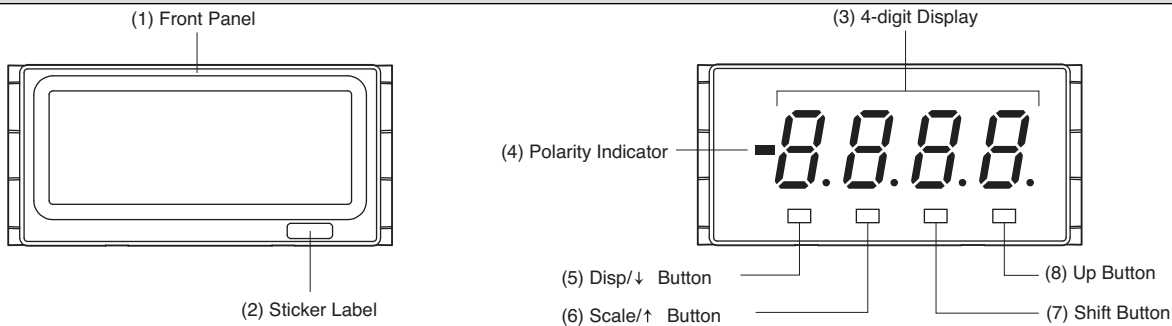
(a) Photo-Coupler



(b) Relay



EXTERNAL VIEW



FUNCTION TABLE

No.	COMPONENT	FUNCTIONS
(1)	Front panel	Removed at configuration.
(2)	Sticker label	Engineering unit label position
(3)	4-digit display	4-digit LED display. Range: 0 to 9999 (not including decimal point)
(4)	Polarity indicator	Turns on when negative value is displayed.
(5)	Disp/ ↓ button	Used to move on to the display setting modes, to shift through setting items in each setting mode, or shift through display digits in each setting item.
(6)	Scale/ ↑ button	Used to move on to the scaling setting modes, to shift through setting items in each setting mode, or shift through display digits in each setting item.
(7)	Shift button	Used to move on to the setting standby status.
(8)	Up button	Used to select setting value.

PARAMETER LIST

■ SCALING SETTING MODE

PARAMETER	ITEM DISPLAY	DISPLAY	FUNCTION	INPUT CODE	DEFAULT VALUE
Decimal Point Position	<i>d Pt</i>	4th LSD – 2nd LSD, none	Decimal point position	V1	8888
				V2	8888
				V3	8888
				V4	8888
				V5	8888
Input Scaling Value A	<i>i Sr</i>	0000 – 2000 (0000 – 4000)*1	Input value to be set as Zero in the measurement range	V1	0000
				V2	0000
				V3	0000
				V4	0000
				V5	0000
Input Scaling Value B	<i>i Sp</i>	0000 – 2000 (0000 – 4000)*1	Input value to be set as Full Scale in the measurement range	V1	2000
				V2	2000
				V3	2000
				V4	2000
				V5	4000
Display Scaling Value A	<i>d Sr</i>	-9999 – 9999	Display value for input scaling value A	V1	0000
				V2	0000
				V3	0000
				V4	0000
				V5	0000
Display Scaling Value B	<i>d Sp</i>	-9999 – 9999	Display value for input scaling value B	V1	2000
				V2	2000
				V3	2000
				V4	2000
				V5	4000
Low-end cutout *2	<i>Li nt</i>	OFF	Low-end cutout OFF	-	OFF
		ON	Low-end cutout ON		
		ABS	Absolute value low-end cutout ON		
Low-end cutout value *2	<i>Li nn</i>	000 – 999	Low-end cutout value setting	-	000

*1. Only for input code 'V5'

*2. Input signal less than the preset cutout value is forcibly cut to display scaling value "zero".

Use when minus value is not required. Lower 3 digits of displayed value are set regardless of decimal point position.

Note: With the low-end cutout or absolute value low-end cutout set to ON, the low-end cutout value setting is valid.

• Input scaling

Zero and full scale of input range can be re-configured to user's desired value by entering parameters.
When initialization of setting is executed, these data is lost and return to the default value.

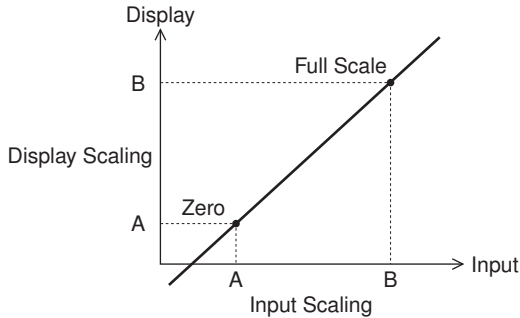
Input Scaling Value A: Input value for zero point
(Input scaling value A < Input scaling value B)
Enter the value you want to set to zero in the measurement range.
Input Scaling Value B: Input value for full scale point
Enter the value you want to set to full scale in the measurement range.

• Display scaling

Display Scaling Value A: Display value for Input Scaling Value A
Display Scaling Value B: Display value for Input Scaling Value B

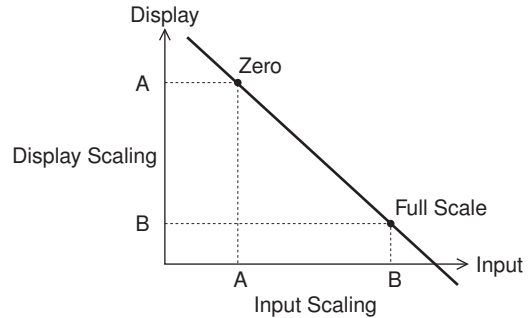
• Normal Scaling

The display value increases when the input signal increases.



• Inverted Scaling

The display value decreases when the input signal increases.



Decimal point position: Decimal point position is specified independently from the scaling. When you set the display scaling, include zeros for fractions.

■ DISPLAY SETTING MODE

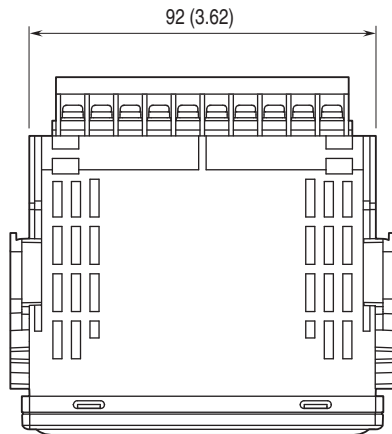
PARAMETER	ITEM DISPLAY	DISPLAY	FUNCTION	DEFAULT VALUE
Moving Average	Ave	OFF	No moving averaging	OFF
		A 2	Moving average with 2 samples	
		A 4	Moving average with 4 samples	
		A 8	Moving average with 8 samples	
		A 16	Moving average with 16 samples	
Brightness	brt	[0	Brightness level 0 (dark)	[5
		[1	Brightness level 1	
		[2	Brightness level 2	
		[3	Brightness level 3	
		[4	Brightness level 4	
		[5	Brightness level 5 (bright)	
Initialization	rst	OFF	Non-initialization	OFF
		on	Initialize settings (change to factory settings) *1	
Version Indication	-	-	Version number, indication only	-

*1. While "on" is shown, pressing Shift button initializes settings.

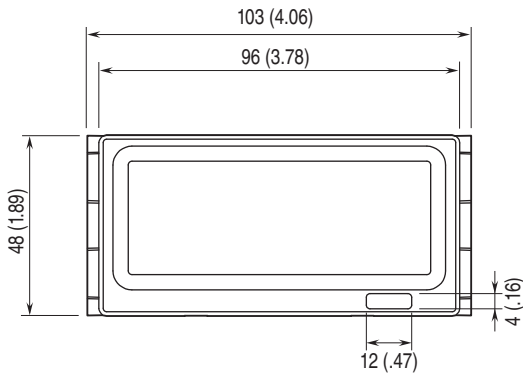
When initialization of setting is executed, existing each parameter settings are lost and return to default value.
Be aware that settings does not return to the ex-factory settings specied by /SET option.

EXTERNAL DIMENSIONS & TERMINAL ASSIGNMENTS unit: mm (inch)

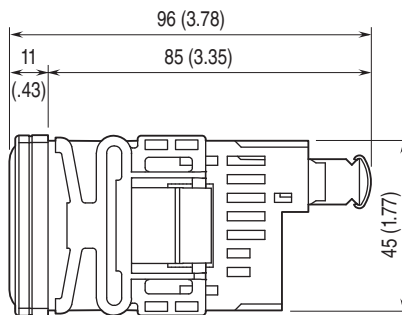
■ TOP VIEW



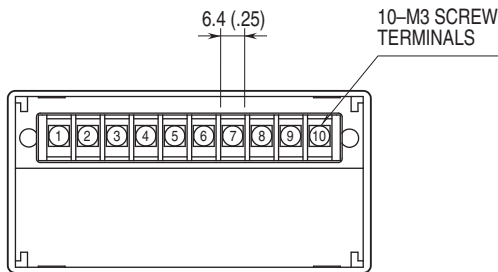
■ FRONT VIEW



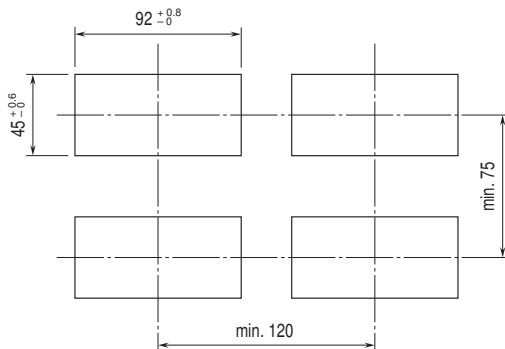
■ SIDE VIEW



■ REAR VIEW

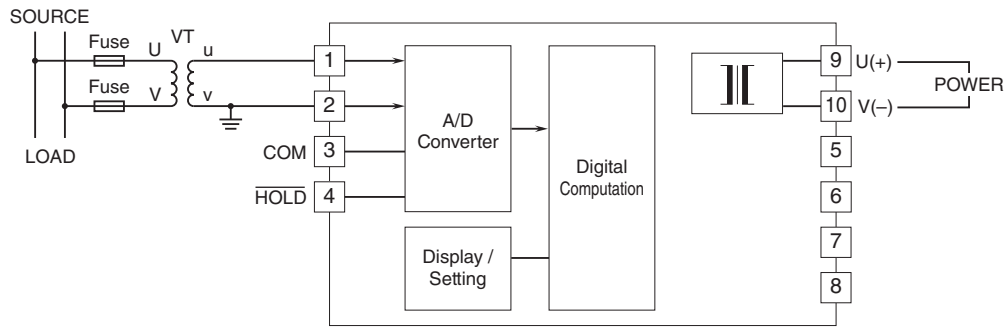


MOUNTING REQUIREMENTS unit: mm



Panel thickness: 1.6 to 8.0 mm

SCHEMATIC CIRCUITRY & CONNECTION DIAGRAM



Specifications are subject to change without notice.