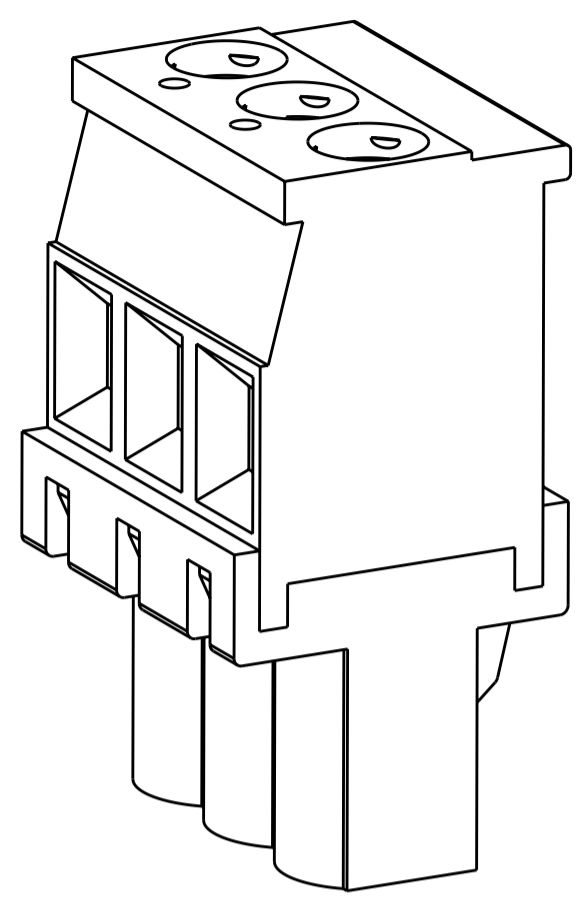
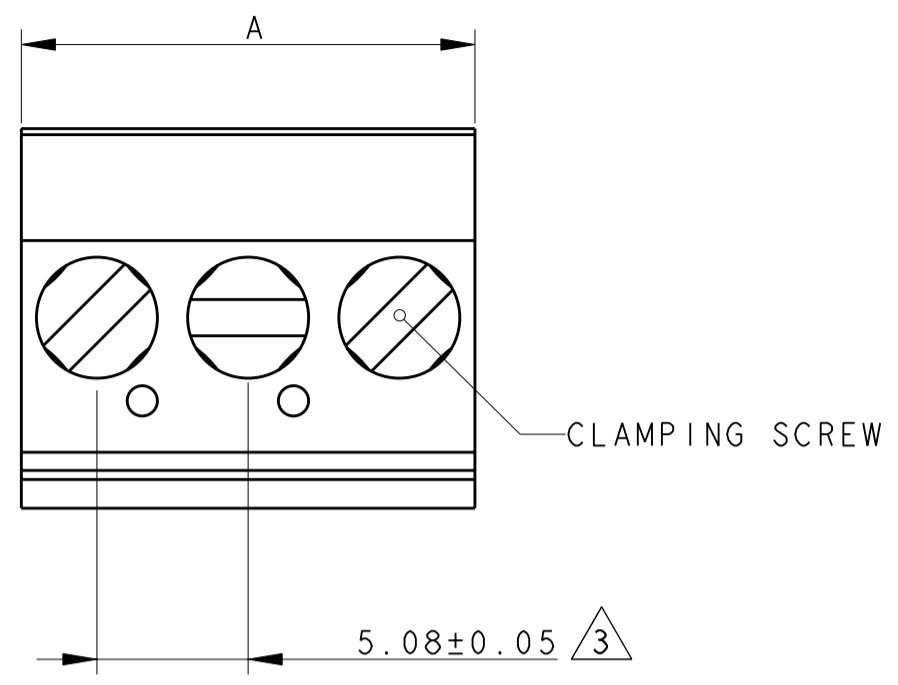
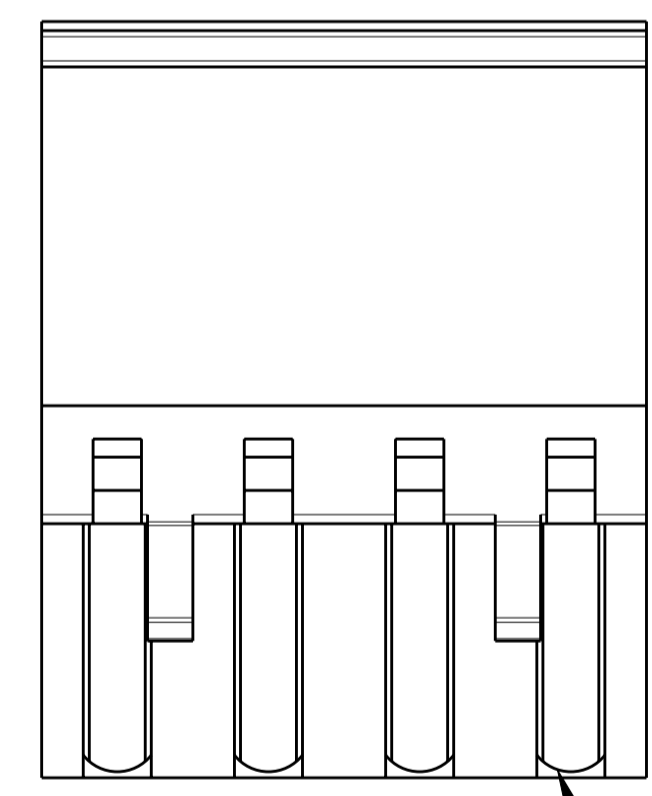
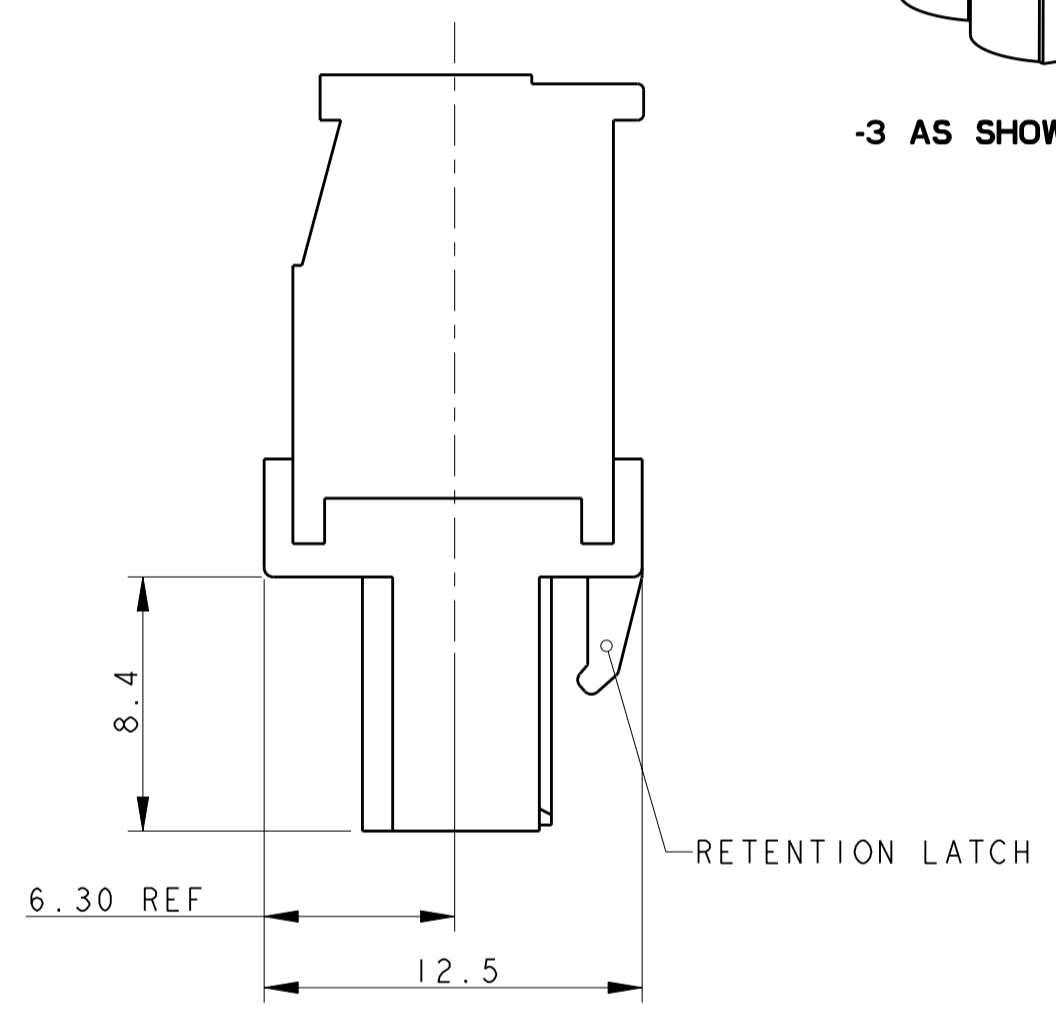
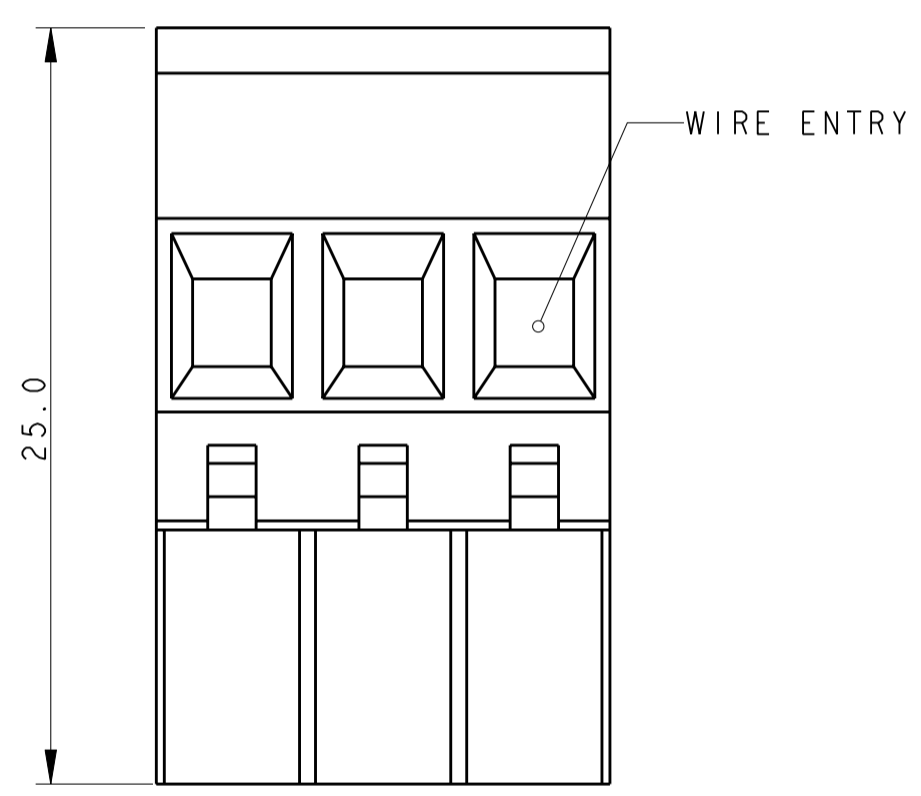


THIS DRAWING IS UNPUBLISHED. RELEASED FOR PUBLICATION 20  
 © COPYRIGHT 20 BY TYCO ELECTRONICS CORPORATION. ALL RIGHTS RESERVED.

LOC	DIST	REVISIONS					
FT	0	P	LTR	DESCRIPTION	DATE	DWN	APVD
		C2		REVISED PER ECO-10-011027	27MAY2010	HMR	CR

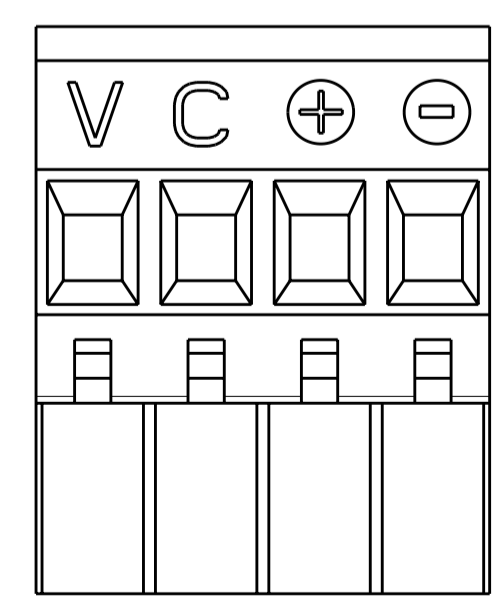
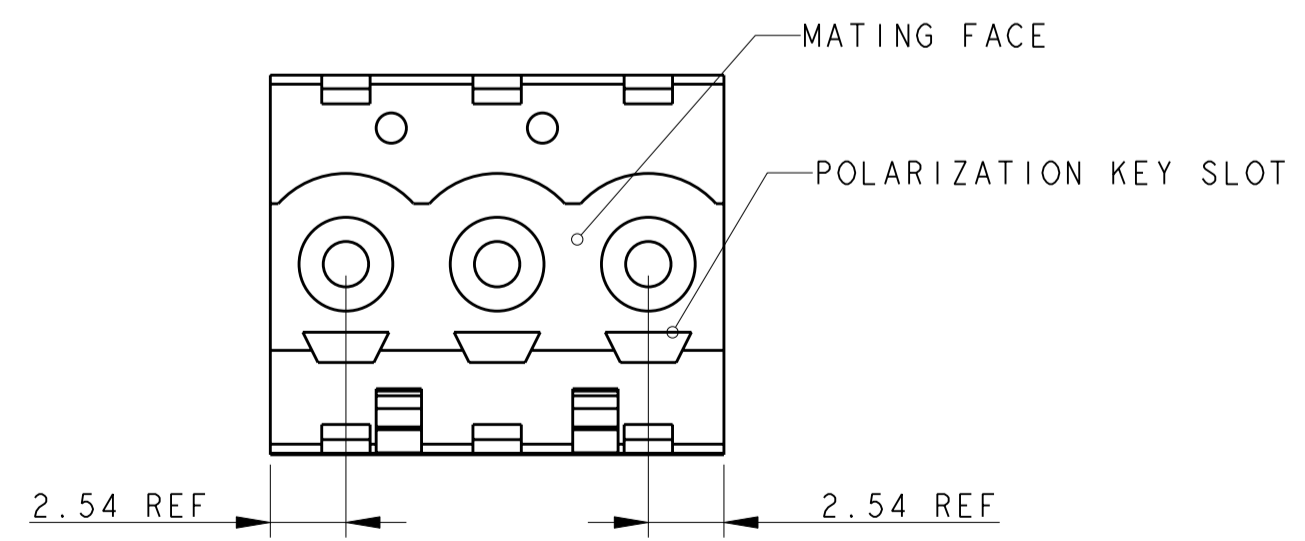


- $\triangle 1$  MATERIALS AND FINISH  
 HOUSING: PA 6-6, UL 94-V0, COLOR GREEN.  
 CLAMP: BRASS, NICKEL PLATED.  
 DOUBLE SIDE CONTACT SPRING: PHOSPHOR BRONZE, TIN PLATED.  
 CLAMPING SCREW: M3, BRASS, NICKEL PLATED.
- 2 WIRE SIZE RANGE:  
 12 - 30 AWG
- $\triangle 3$  NOT CUMULATIVE TOLERANCE.
- $\triangle 4$  PRELIMINARY
- $\triangle 5$  SPECIAL MARKING TO BE PERMANENT BLACK LETTERING



$\triangle 5$   $\triangle 4$  DETAIL B  
 $\triangle 4$  DETAIL A

DIM. A	NO OF POS.	PART NUMBER
20.32	4	2-284041-7
20.32	4	2-284041-6
127.00	25	2-284041-5
121.92	24	2-284041-4
116.84	23	2-284041-3
111.76	22	2-284041-2
106.68	21	2-284041-1
101.60	20	2-284041-0
96.52	19	1-284041-9
91.44	18	1-284041-8
86.36	17	1-284041-7
81.28	16	1-284041-6
76.20	15	1-284041-5
71.12	14	1-284041-4
66.04	13	1-284041-3
60.96	12	1-284041-2
55.88	11	1-284041-1
50.80	10	1-284041-0
45.72	9	284041-9
40.64	8	284041-8
35.56	7	284041-7
30.48	6	284041-6
25.40	5	284041-5
20.32	4	284041-4
15.24	3	284041-3
10.16	2	284041-2



<small>THIS DRAWING IS A CONTROLLED DOCUMENT FOR TYCO ELECTRONICS CORPORATION. IT IS SUBJECT TO CHANGE AND THE CONTROLLING ENGINEERING ORGANIZATION SHOULD BE CONTACTED FOR THE LATEST REVISION.</small>		DWN 27MAR2001 E. ZANOLINI CHK 27MAR2001 D. BIEVENOUR APVD 27MAR2001 D. BIEVENOUR	Tyco Electronics Harrisburg, PA 17105-3608
DIMENSIONS: mm 		TOLERANCES UNLESS OTHERWISE SPECIFIED: 0 PLC ±- 1 PLC ±0.3 2 PLC ±0.25 3 PLC ±- 4 PLC ±- ANGLES ±2 FINISH	NAME: TERMINAL BLOCK, VERTICAL PLUG STACKING, LEFT HAND 5.08mm PITCH SIZE: A200779 CAGE CODE: C-284041 DRAWING NO: 284041-4 RESTRICTED TO: -
MATERIAL: $\triangle 1$ - $\triangle 1$ -		PRODUCT SPEC: - APPLICATION SPEC: - WEIGHT: -	CUSTOMER DRAWING SCALE: 4:1 SHEET: 1 OF 1 REV: C2