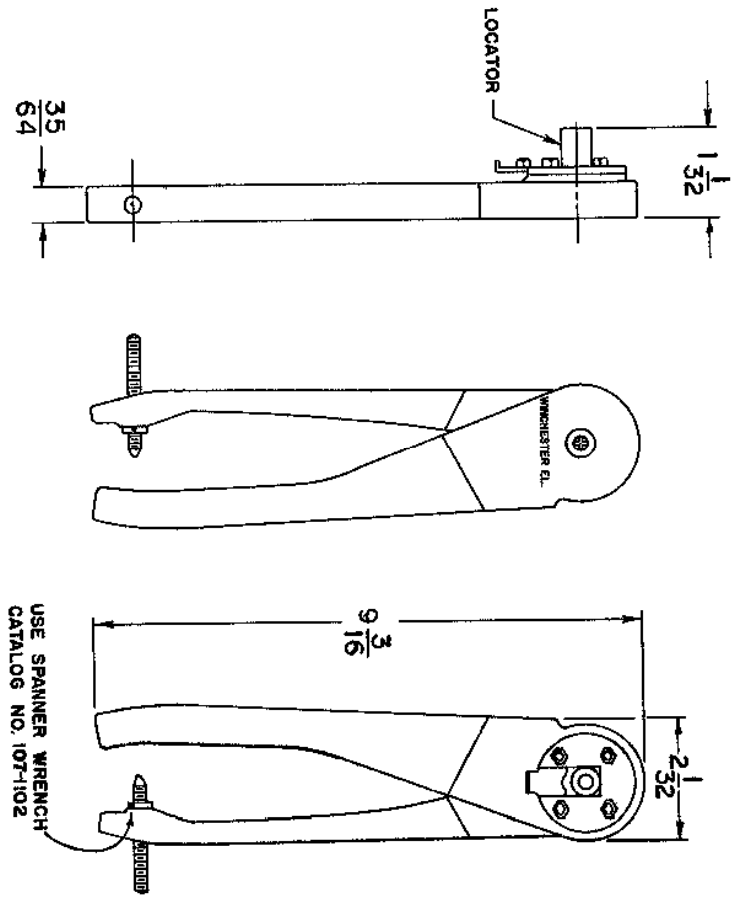


This drawing, the design and item embodied in the device to which it relates, and the methods of producing the device, are the property of Winchester Electronics Incorporated and shall not be employed, copied, or disclosed to anyone, in any manner without the consent of Winchester Electronics, Incorporated.

REV	CHANGE	DATE
J	REDRAWN, Added SIDE VIEW EN-10185	
K	INC REMOVED EN-10521	4-23-64 EJD
L	DIM. 1 1/32 WAS 1-9/16 DIM. 2 1/32 WAS 2 1/8 DIM. 3 3/16 WAS 2-3/32 DIM. 33/64 WAS 1/2 ECR 4538 EN-10521	4-14-76 K J C D W M M A B
M	REVISED NOTE 1 ECR# 4719	KDB M A B

TOLERANCE UNLESS OTHERWISE SPECIFIED FRACTIONS ± 1/32 DECIMALS ± .005 ANGULAR ±



NOTES:
1. OPERATING INSTRUCTIONS & LOCATOR DATA ARE CONTAINED IN INSTRUCTION SHEET 4383.

HAND CRIMPING TOOL			
CATALOG NUMBER	CRIMPING RANGE	TOOL NUMBER	HANDLE COLOR
107-0905-2A	056-.070	531-3	GREEN

TITLE	
HAND - CRIMPING TOOL	
OUTLINE	
FINISH	
SCALE	DR. L. RUMMAGE DATE 9 5 1 1964
NOM. SIZE	DATE 12-11-64
WINCHESTER ELECTRONICS, INC. NORWALK, CONN.	
DWG. SIZE	107-6
REV. M	