



**750-102 750-103 and 750-115
Connector to Connector Pre-Terminated Assemblies
Series 72 & 74 Tubing & Series 75 Conduit**

**FOR CONNECTOR-TO-CONNECTOR APPLICATIONS
CONNECTOR DESIGNATORS (A-B-D-E-F-G-H-J-K-L-S)**

750 N A 102 M F20 1 A16 2-24-36

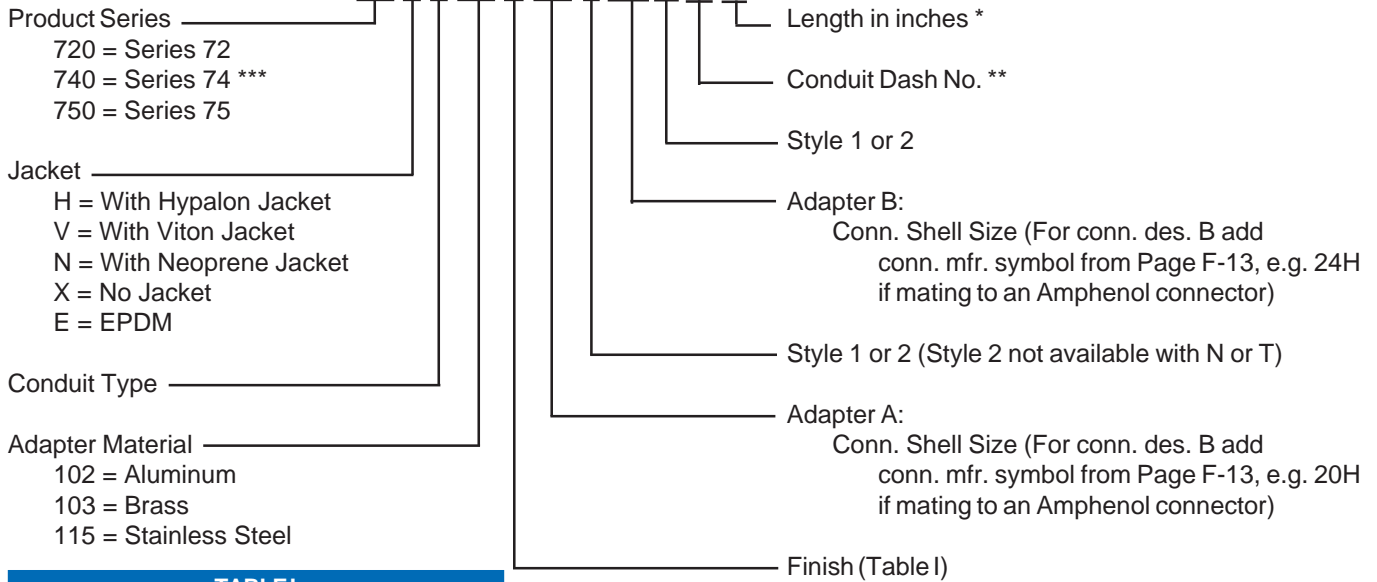
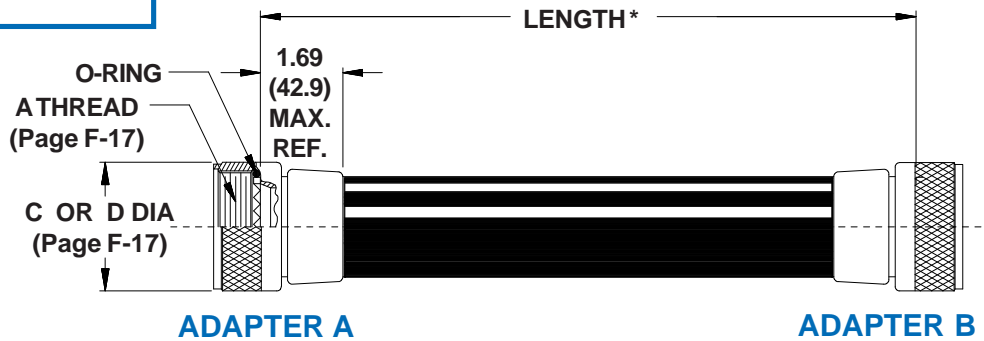


TABLE I

SYMBOL	FINISH
B	Olive Drab over Cadmium Plate
J	Gold Iridite over Cadmium Plate over Nickel
M	Electroless Nickel
N	Olive Drab over Cadmium Plate over Nickel
NC	Zinc-Cobalt, Olive Drab
NF	Olive Drab over Cadmium Plate over Electroless Nickel (500 Hour Salt Spray)
T	Bright Dip Cadmium Plate over Nickel
Z1	Passivate



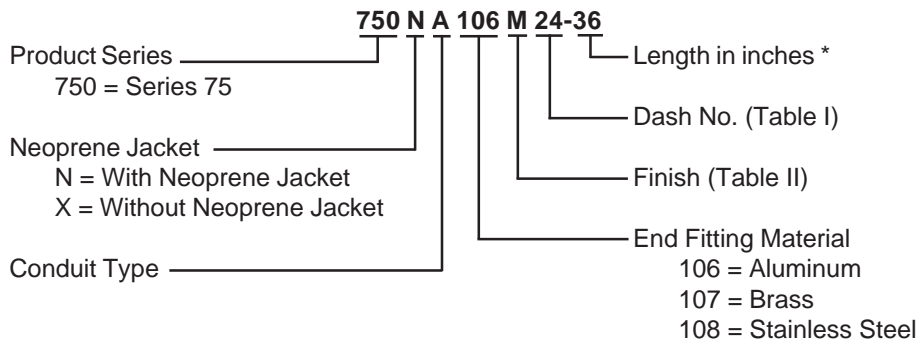
Metric dimensions (mm) are indicated in parentheses.

* Length tolerance is $\pm .250$ (12.7) for lengths up to 24 inches (619.6 mm). Length tolerance for longer lengths is \pm one percent (1%) of the length.

** Consult factory for fittings using 3.000" (76.2) conduit.

*** Pre-terminated assemblies using product Series 74 will be supplied with FEP material, standard wall thickness, standard convolutions, tin/copper braid, and neoprene jacket. For other options consult factory.

**750-102 750-103 and 750-115
Pre-Terminated Assemblies for
M28840/5, /25, /27 & /30 Adapters
Series 72 & 74 Tubing & Series 75 Conduit**



**USE WITH
ADAPTERS
M28840/5
M28840/25
M28840/27
M28840/30**

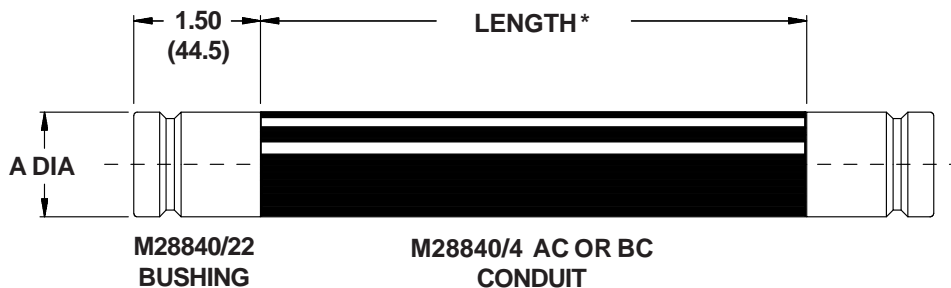


TABLE I

DASH NO.	CONDUIT I.D.	MIL-C-28840/4 SIZE REF.	A DIA
12	.375 (9.5)	03	.625 (15.9)
16	.500 (12.7)	04	.750 (19.1)
20	.625 (15.9)	05	.875 (22.2)
24	.750 (19.1)	06	1.000 (25.4)
32	1.000 (25.4)	08	1.375 (34.9)
40	1.250 (31.8)	10	1.625 (41.3)
48	1.500 (38.1)	12	1.875 (47.6)
64	2.000 (50.8)	16	2.375 (60.3)

TABLE II

SYMBOL	FINISH
B	Olive Drab over Cadmium Plate
J	Gold Iridite over Cadmium Plate over Nickel
M	Electroless Nickel
N	Olive Drab over Cadmium Plate over Nickel
NC	Zinc-Cobalt, Olive Drab
NF	Olive Drab over Cadmium Plate over Electroless Nickel (500 Hour Salt Spray)
T	Bright Dip Cadmium Plate over Nickel
Z1	Passivate

Metric dimensions (mm) are indicated in parentheses.

* Length tolerance is $\pm .250$ (12.7) for lengths up to 24 inches (619.6 mm). Length tolerance for longer lengths is \pm one percent (1%) of the length.