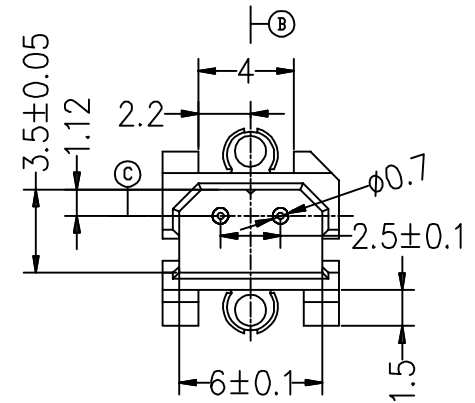
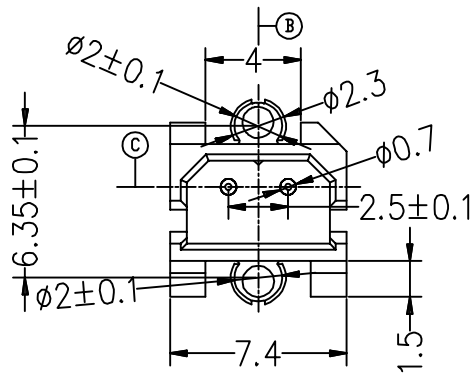


RoHS



SPECIFICATIONS

Rated Current: 3.0AMP  
 Contact Resistance: 20mΩ Max  
 Withstand Voltage: 1000V AC/DC  
 Insulation Resistance: 1000MΩ Min  
 Operation Temperature: -40°C to +105°C

Contact Material: Brass **H85**  
 Contact Plating: Sn80u"-100u" Over Ni30u"-50u"  
 Insulator Material: Polyester(UL94V-0)  
 Standard: PA9T  
 Max.Processing Temp: 230°C for 30-60 seconds  
 (260°C for 10 seconds)

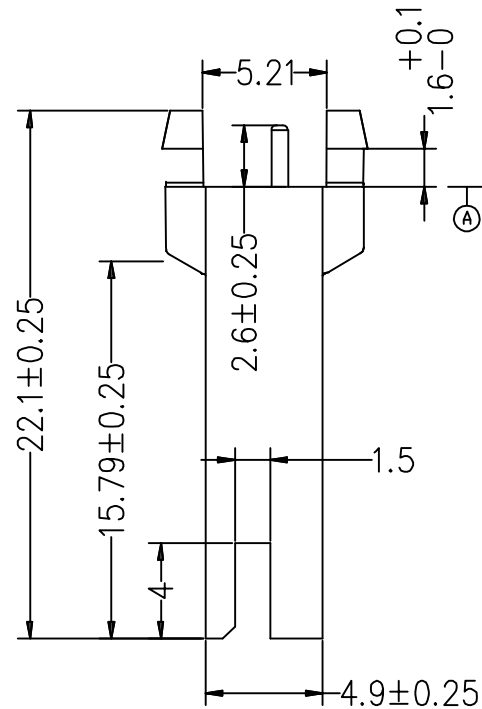
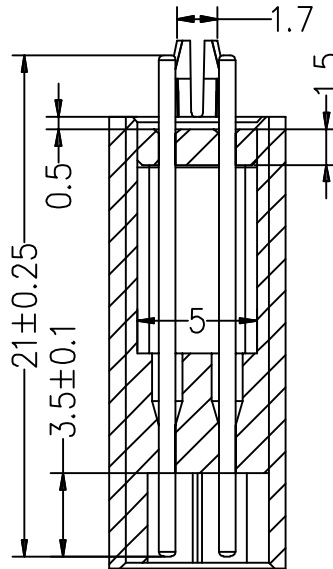
连接器插入力: 30N Max

连接器拔出力: 1.1N min

盐雾: 72H

插针固定性: 单根针实施15N, 持续1min的拉力试验, 不应从基座中脱出

接触电阻: 振动、高温80\*24小时, 低温-45\*24小时, 盐雾72小时; 双85试验1000小时后; 接触电阻不大于30mΩ



				OPERATION		DRAW		SCALE	FIT
				X.X	±0.30			UNIT	mm
				X.XX	±0.20	CHECK		SIZE	A4
				X.XXX	±0.10			SHEET	1/1
				Angle	±3°	APPROVE		PROJ.	◆
REV	DATE	MODIFICATION DESCRIPTION		CHANGE	DIM	TOL	TITLE:		

深圳市连盛精密连接器有限公司

PART NO.

2P 电池座