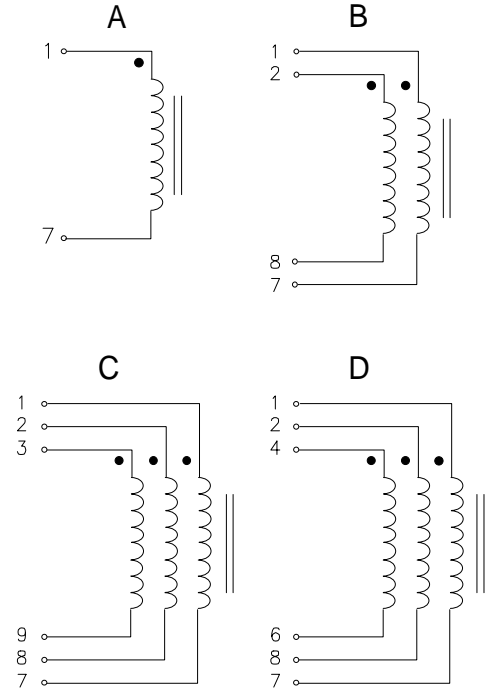


PQ & RM Style Inductors

Electrical Specifications at 25°C

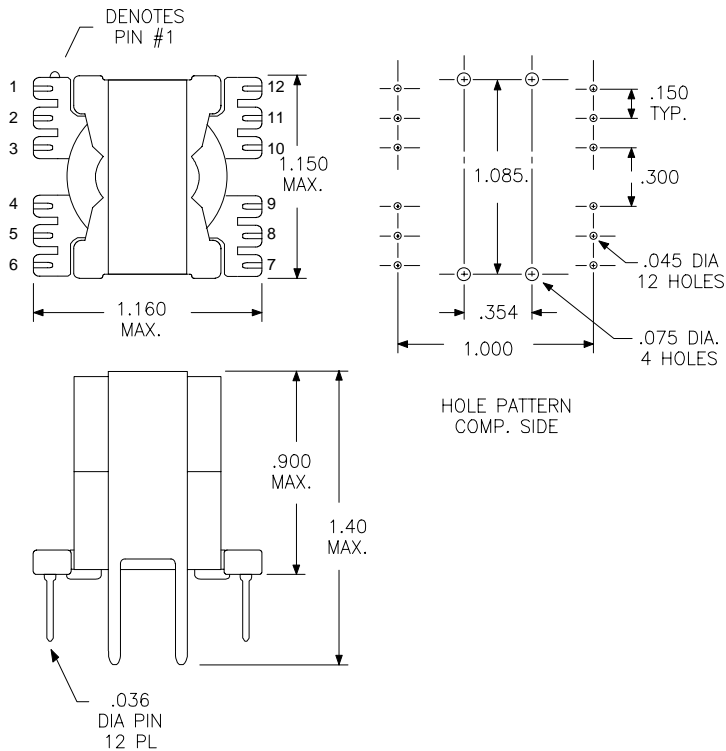
Part Number	L Nom. (mH)	I Rating (A)	DCR Nom (Ohms)	Flux Density (V-μS)	Style	Schem
L-37301	42.13	0.49	12.3	6420	PQ	A
L-37302	20.70	0.70	5.50	4500	PQ	A
L-37303	9.67	1.02	2.40	3075	PQ	A
L-37304	6.73	1.23	1.30	2565	PQ	A
L-37305	1.66	2.47	0.40	1275	PQ	A
L-37306	0.60	4.12	0.18	765	PQ	B
L-37307	0.27	6.18	0.14	510	PQ	C
L-37308	0.07	12.35	0.05	255	PQ	C
L-37309	0.04	16.15	0.04	195	PQ	C
L-37501	102.40	0.12	21.65	5990	RM	A
L-37502	44.10	0.19	8.90	3931	RM	A
L-37503	19.60	0.28	3.73	2621	RM	A
L-37504	9.03	0.42	1.59	1778	RM	A
L-37505	3.60	0.66	0.60	1123	RM	A
L-37506	1.60	0.99	0.24	749	RM	A
L-37507	0.63	1.58	0.07	468	RM	B
L-37508	0.26	2.48	0.01	300	RM	D

Schematics

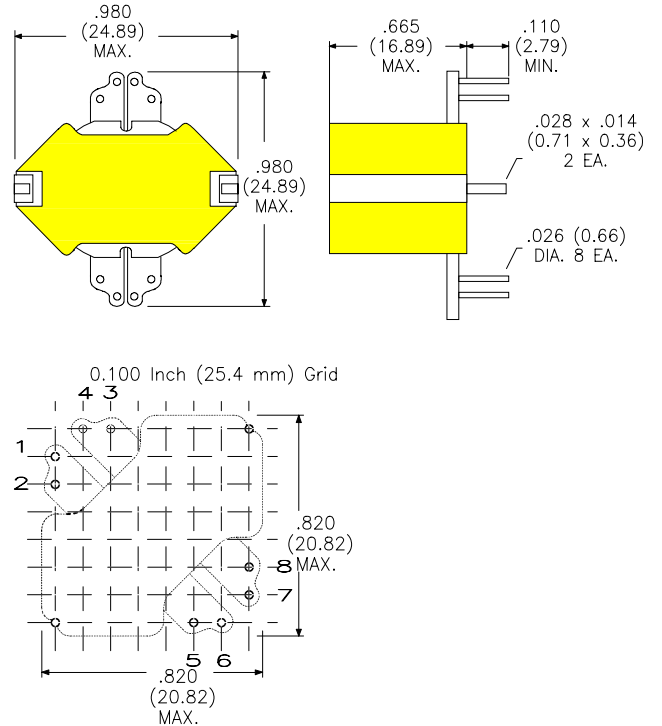


Physical Dimensions inches (mm)

12-Pin PQ Style



8-Pin RM Style



Specifications are subject to change without notice

PQ - 5/97