

**PLEASE CHECK WWW.MOLEX.COM FOR LATEST PART INFORMATION**

**Part Number:** [0353010350](#)  
**Status:** **Active**  
**Description:** 2.50mm (.098") Pitch SPOX™ Wire-to-Board Header, Vertical, Shrouded, Tube Packaged Version of 5267, 3 Circuits, Tin (Sn) Plating, with Swaged PC Tails

**Documents:**

[3D Model](#) [Product Specification PS-35301-001 \(PDF\)](#)  
[Drawing \(PDF\)](#) [RoHS Certificate of Compliance \(PDF\)](#)

**Agency Certification**

CSA LR 19980  
 UL E29179

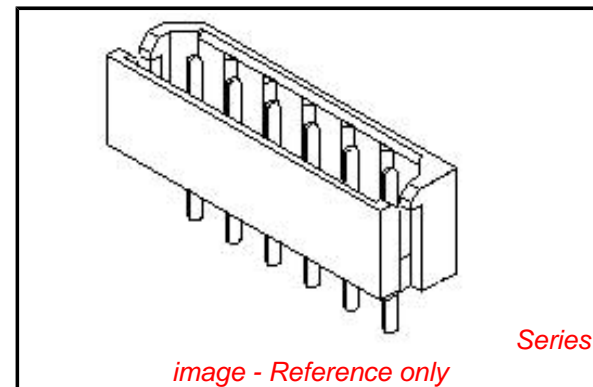
**General**

Product Family PCB Headers  
 Series [35301](#)  
 Application Wire-to-Board  
 Product Name SPOX™

**Physical**

Breakaway No  
 Circuits (Loaded) 3  
 Circuits (maximum) 3  
 Color - Resin Natural  
 Durability (mating cycles max) 30  
 First Mate / Last Break No  
 Flammability 94V-0  
 Glow-Wire Compliant No  
 Guide to Mating Part No  
 Keying to Mating Part None  
 Lock to Mating Part Yes  
 Material - Plating Mating Tin  
 Material - Plating Termination Tin  
 Material - Resin Nylon  
 Number of Rows 1  
 Orientation Vertical  
 PCB Locator No  
 PCB Retention Yes  
 PCB Thickness Recommended (in) 0.062 In  
 PCB Thickness Recommended (mm) 1.60 mm  
 Packaging Type Tube  
 Pitch - Mating Interface (in) 0.098 In  
 Pitch - Mating Interface (mm) 2.50 mm  
 Plating min: Mating (µin) 160  
 Plating min: Mating (µm) 4  
 Plating min: Termination (µin) 160  
 Plating min: Termination (µm) 4  
 Polarized to Mating Part Yes  
 Polarized to PCB No  
 Shrouded Partial  
 Stackable No  
 Surface Mount Compatible (SMC) No  
 Temperature Range - Operating -40°C to +105°C  
 Termination Interface: Style Through Hole

**Electrical**



**EU RoHS**

**ELV and RoHS Compliant**  
**REACH SVHC**  
 Not Reviewed  
**Halogen-Free Status**

**China RoHS**



**Not Halogen-Free**

**Need more information on product environmental compliance?**

Email [productcompliance@molex.com](mailto:productcompliance@molex.com)  
 For a multiple part number RoHS Certificate of Compliance, [click here](#)

Please visit the [Contact Us](#) section for any non-product compliance questions.

**Search Parts in this Series**

[35301Series](#)

**Mates With**

[5264](#) SPOX™ Wire-to-Board Crimp Housing. [42219](#) SPOX™ IDT Receptacle Housing

Current - Maximum per Contact  
Voltage - Maximum

3A  
250V

**Material Info**

**Reference - Drawing Numbers**

Product Specification  
Sales Drawing

PS-35301-001  
SD-35301-001, SD-35301-012

This document was generated on 04/13/2010

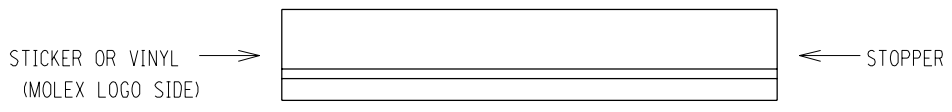
**PLEASE CHECK [WWW.MOLEX.COM](http://WWW.MOLEX.COM) FOR LATEST PART INFORMATION**

DWG. NO. SD-35301-001

SIMILAR ITEM

PROJECT NO.

5 4 3 2 1



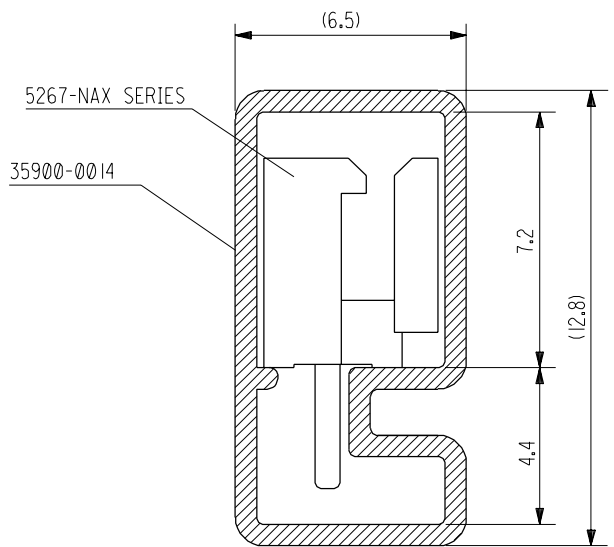
VIEW V

NOTES

1. PACKING TYPE : STOPPER & STICKER LOCKING TYPE(GENERAL)  
: VINYL & STOPPER LOCKING TYPE(FOR S/S)
2. THICKNESS : 0.6 †
3. LENGTH : 550 mm

LEGEND

35301- \*\* 5 \*  
 COLOR : 0 --- NATURAL  
 1 --- BLACK  
 2 --- RED  
 3 --- YELLOW  
 4 --- BLUE  
 CKT ( 02 , 03 , 04 ....)



15	35301-155*	35301155*	10
14	-145*	35301145*	10
13	-135*	35301135*	15
12	-125*	35301125*	15
11	-115*	35301115*	15
10	-105*	35301105*	15
9	-095*	35301095*	20
8	-085*	35301085*	20
7	-075*	35301075*	25
6	-065*	35301065*	30
5	-055*	35301055*	35
4	-045*	35301045*	40
3	-035*	35301035*	50
2	35301-025*	35301025*	70
CKTS	ENG NO.	MAT'L NO.	Q'TY/TUBE

NEW RELEASED EC NO. KOR2001-0048 DRWN: K.S.KIM (011130) CHK: J.K.OH APPR: C.W.LEE	QUALITY SYMBOLS MAJOR = CRITICAL =	GENERAL TOLERANCES: (UNLESS SPECIFIED)		SCALE NONE	DESIGN UNITS <input checked="" type="checkbox"/> mm <input type="checkbox"/> INCH	THIRD ANGLE PROJECTION	DIMENSIONS: <input type="checkbox"/> mm <input type="checkbox"/> INCH <input checked="" type="checkbox"/> mm ONLY		SHT	REV
		4 PLACES	±0.	±.	DRAWN BY & DATE K.S.KIM (011130)		TITLE: TUBE PACKAGED FOR 5267-NAX SERIES  MOLEX INCORPORATED KOREA			
3 PLACES	±0.	±.	CHECKED BY & DATE J.K.OH		MATERIAL NO. SEE TABLE					
2 PLACES	±0.	±.	APPROVED BY & DATE C.W.LEE		CAD FILENAME SD35301A.dgn		SIZE A			
1 PLACE	±0.4	±.	ANGULAR: ± 3 °		THIS DRAWING CONTAINS INFORMATION THAT IS PROPRIETARY TO MOLEX INCORPORATED AND SHOULD NOT BE USED WITHOUT WRITTEN PERMISSION.					
DRAFT WHERE APPLICABLE MUST REMAIN WITHIN DIMENSIONS										

5 4 3 2 1 MX-A4

DWG. NO.

SIMILAR ITEM

PROJECT NO.

B

DO NOT SCALE DRAWING  
DIMENSION IN METRIC

8 7 6 5 4 3 2 1

F

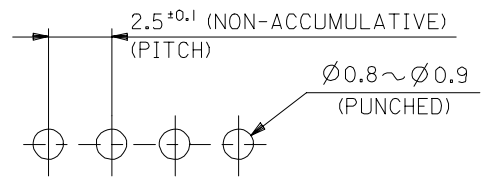
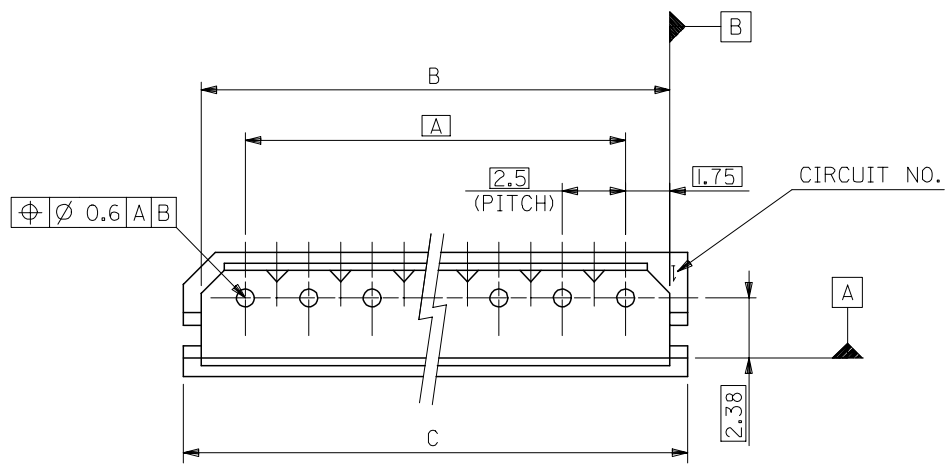
E

D

C

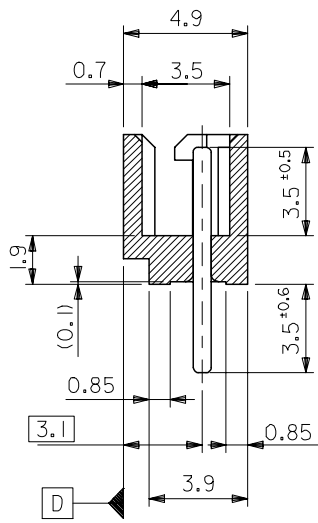
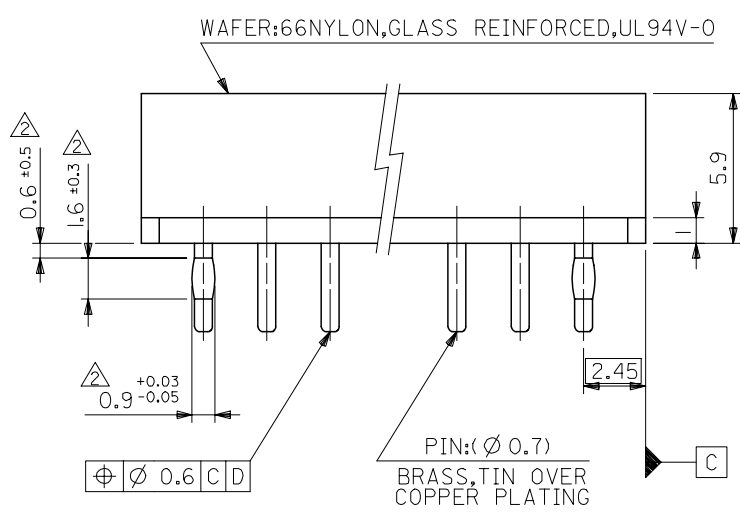
B

A



RECOMMENDED P.C.BOARD HOLE DIM.  
(t=1.6)

NOTES:  
I. MATES WITH : 5264 SERIES.  
△ APPLIES : PIN, BOTH ENDS



39.9	38.5	35	99-99-0999	5267-15A-X	35301-1550	15
37.4	36	32.5	-0998	-14A-X	35301-1450	14
34.9	33.5	30	-0997	-13A-X	35301-1350	13
32.4	31	27.5	-0996	-12A-X	35301-1250	12
29.9	28.5	25	-0995	-11A-X	35301-1150	11
27.4	26	22.5	-0994	-10A-X	35301-1050	10
24.9	23.5	20	-0993	-09A-X	35301-0950	9
22.4	21	17.5	-0992	-08A-X	35301-0850	8
19.9	18.5	15	-0991	-07A-X	35301-0750	7
17.4	16	12.5	-0990	-06A-X	35301-0650	6
14.9	13.5	10	-0989	-05A-X	35301-0550	5
12.4	11	7.5	-0988	-04A-X	35301-0450	4
9.9	8.5	5	-0987	-03A-X	35301-0350	3
7.4	6	2.5	99-99-0986	5267-02A-X	35301-0250	2
C	B	A	EDP NO.	ENG NO.	ENG NO.	NO OF CKT.
			APPLIED CONNECTOR			

ANGLE	±3°
30 OVER	±0.3
10 OVER 30 UNDER	±0.25
10 UNDER	±0.2
GENERAL TOLERANCES	

NEW RELEASED  
ECN NO. KOR2008-0082  
DRWN: K.S.KIM (060102)  
CHK: Y.SooKIM  
APPR: SH.CHOI

DESCRIPTION

REV

QUALITY SYMBOLS

MAJOR

CRITICAL

GENERAL TOLERANCES:  
(UNLESS SPECIFIED)

	mm	INCH
4 PLACES	±0.	±-
3 PLACES	±0.	±-
2 PLACES	±0.	±-
1 PLACE	±0.	±-

ANGULAR: ± °

DRAFT WHERE APPLICABLE MUST REMAIN WITHIN DIMENSIONS

SCALE 5:1

DESIGN UNITS  mm  INCH

THIRD ANGLE PROJECTION

DIMENSIONS:  mm  INCH  mm ONLY

SHT REV

REVISE ON CAD ONLY

DRAWN BY & DATE  
K.S.KIM (060102)

CHECKED BY & DATE  
Y.SooKIM

APPROVED BY & DATE  
SH.CHOI

CAD FILENAME

MATERIAL NO.

DRAWING NO.  
SD-35301-012

SHEET NO.  
1 OF 1

SIZE  
B

THIS DRAWING CONTAINS INFORMATION THAT IS PROPRIETARY TO MOLEX INCORPORATED AND SHOULD NOT BE USED WITHOUT WRITTEN PERMISSION.

TITLE:  
2.5 LOW PROFILE  
WAFER ASS'Y WITH COIN

MOLEX INCORPORATED

8 7 6 5 4 3 2 1 KOREA MX-A3