

PLEASE CHECK WWW.MOLEX.COM FOR LATEST PART INFORMATION

Part Number: [0493470411](#)
Status: **Active**
Description: 1.52mm (.060") Pitch, Sealed Wire-to-Board Housing, Female, 4 Circuits

Documents:

[Packaging Specification \(PDF\)](#) [Product Specification PS-49347-001 \(PDF\)](#)
[Drawing \(PDF\)](#) [RoHS Certificate of Compliance \(PDF\)](#)

General

Product Family Crimp Housings
Series [49347](#)
Product Name N/A

Physical

Circuits (maximum) 4
Color - Resin Black
Gender Female
Glow-Wire Compliant No
Keying to Mating Part N/A
Lock to Mating Part None
Material - Resin Polyester
Number of Rows 2
Packaging Type Bag
Panel Mount No
Pitch - Mating Interface (in) 0.213 In
Pitch - Mating Interface (mm) 5.40 mm
Pitch - Term. Interface (in) 0.213 In
Pitch - Term. Interface (mm) 5.40 mm
Polarized to Mating Part Yes
Ports 1
Stackable No
Temperature Range - Operating -40°C to +85°C

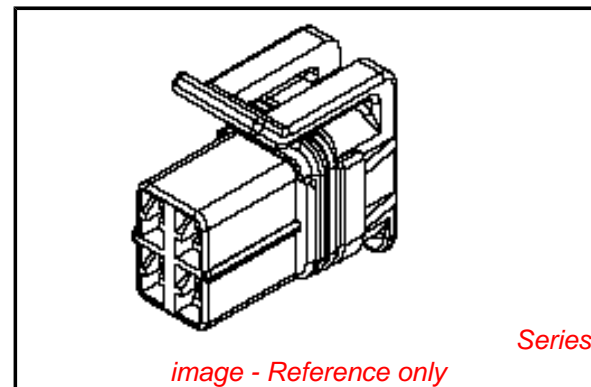
Electrical

Current - Maximum per Contact 6A

Material Info

Reference - Drawing Numbers

Product Specification PS-49347-001
Sales Drawing SD-49347-001



EU RoHS

**ELV and RoHS
Compliant**
REACH SVHC
Not Reviewed
**Halogen-Free
Status**

China RoHS



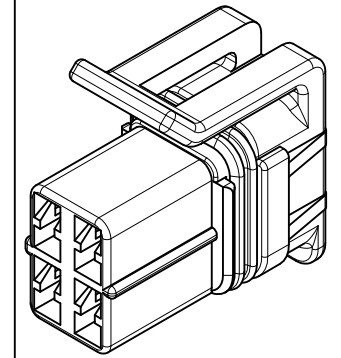
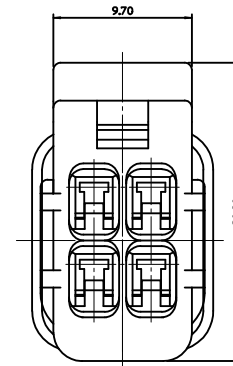
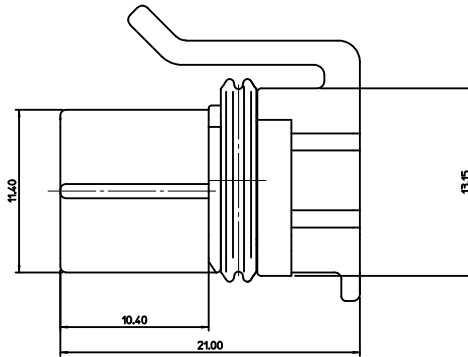
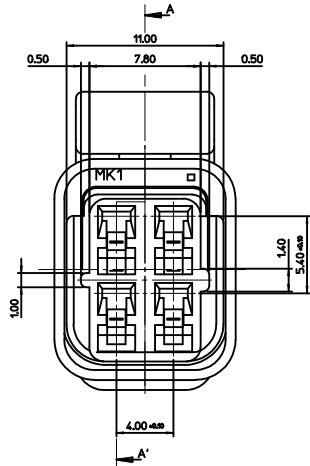
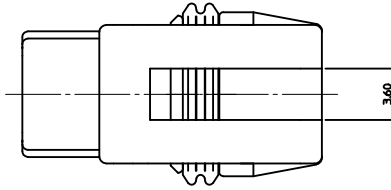
**Need more information on product
environmental compliance?**

Email productcompliance@molex.com
For a multiple part number RoHS Certificate of
Compliance, [click here](#)

Please visit the [Contact Us](#) section for any
non-product compliance questions.

Search Parts in this Series
[49347Series](#)

NO.	PART NAME	MATERIAL	COLOR	Q'TY
①	F/HSG 4P	POLYESTER	BLACK	1
②	INNER SEAL	OIL SIKICONE	RED	1

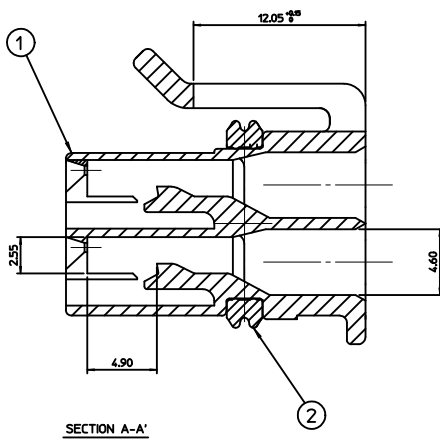


ISOVIEW

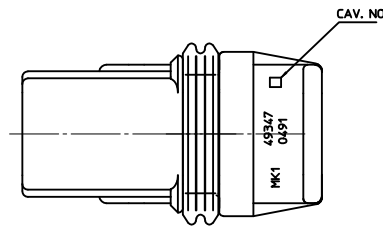
<NOTE>

- ASSEMBLY PART NO. : 49347-0411
- APPLICABLE HEADER ASS'Y : 49348-0411/0415/0416
- APPLICABLE FEMALE TERMINAL : 57969-6702
- APPLICABLE WIRE SEAL :

PART NO.	WIRE SIZE(mm ²)	MATERIAL
35903-0114	AVS 0.3 AVSS 0.3~0.5	OIL SILICONE



SECTION A-A'



<TABLE>

MATERIAL NO.	ORDER NO.
493470411	49347-0411

REV	DESCRIPTION	QUALITY SYMBOLS	GENERAL TOLERANCES (UNLESS SPECIFIED)		DIMENSION STYLE		SCALE	DESIGN UNITS	THIRD ANGLE PROJECTION	TITLE	DOCUMENT NO.	SHEET NO.
			mm	INCH	MM ONLY	TITLE						
REVISED	EC NO: KOR2010-0137	▽=0	4 PLACES ± ---	± ---	DRAWN BY	DATE	4:1	METRIC	☉	060 SEALED W/B CONN. FEMALE HSG ASS'Y 4P	MOLEX INCORPORATED	SD-49347-001
U	DRW: NKKIM 2010/04/30	▽=0	3 PLACES ± ---	± ---	SMKIM	2005/07/07						
	CHKD: BCY00N 2010/05/04		2 PLACES ± 0.2	± ---	CHECKED BY	DATE						
	APPR: YUNS IKKIM 2010/05/04		1 PLACE ± 0.3	± ---	BCY00N	2005/07/07						
			ANGULAR ± 1 °		APPROVED BY	DATE						
			DRAFT WHERE APPLICABLE MUST REMAIN WITHIN DIMENSIONS		CWLEE	2005/07/07						
			SEE TABLE		MATERIAL NO.	DOCUMENT NO.						
			SIZE A 2		THIS DRAWING CONTAINS INFORMATION THAT IS PROPRIETARY TO MOLEX INCORPORATED AND SHOULD NOT BE USED WITHOUT WRITTEN PERMISSION							