

TOLERANCE UNLESS SPECIFIED = .XXX = +/- .005 .XX = +/- .015 FRACTIONS = +/- .032

# PRODUCTION TESTS

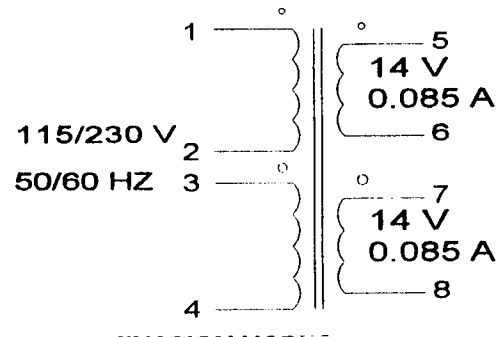
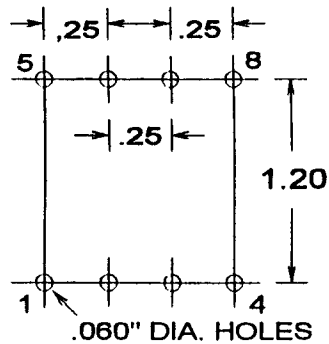
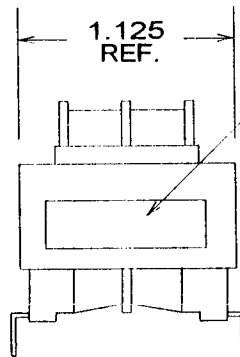
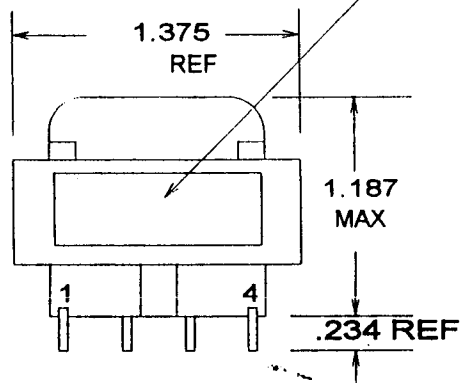
FS29-35.DC2

YYWW = YEAR, WEEK  
XXX = SITECODE

**M** MagneTek - Triad  
FS28-85  
CLASS B **C** **RU** US

EIA-17-YYWW  
XXX B10

DC RESISTANCE IN OHMS	1-2 = 675 TO 815
	3-4 = 825 TO 970
	5-6 = 16.8 TO 20.6
	7-8 = 20.5 TO 25.1



**MAX EXCITATION CURRENT = 0.010 A**  
**APPLY = 230V 60 HZ, 1-4, TIE 2+3**  
**OPEN CIRCUIT VOLTAGE:**  
 EACH PRI = 114.5 TO 115.5 V  
 EACH SEC = 17.5 TO 18.5 V

**HIPOT: 2500V PRI'S TO SEC'S**  
**1500V PRI'S, SEC'S TO CORE**  
**500V P-P, S-S**

**CONTINUITY: PRIMARY 100%**  
**IMPREGNATION NOTES = 2 HOUR PREHEAT**  
**PINS MUST BE FREE OF IMPREG.**

**M** MagneTek

METHOD

1 X 1

MARKING

SEE LABEL DETAIL ABOVE

PART NO. FS28-85