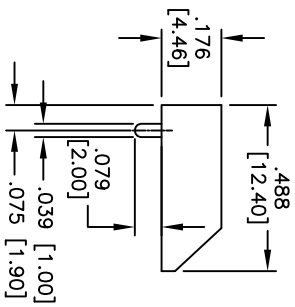
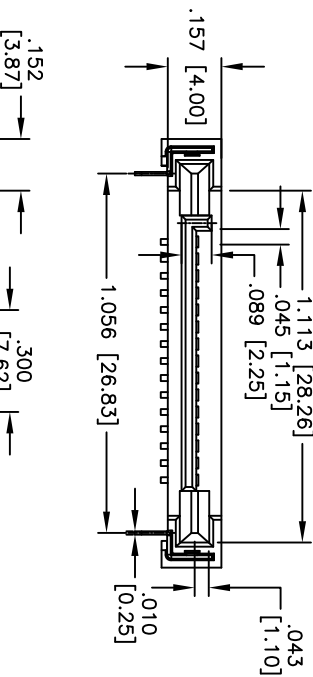
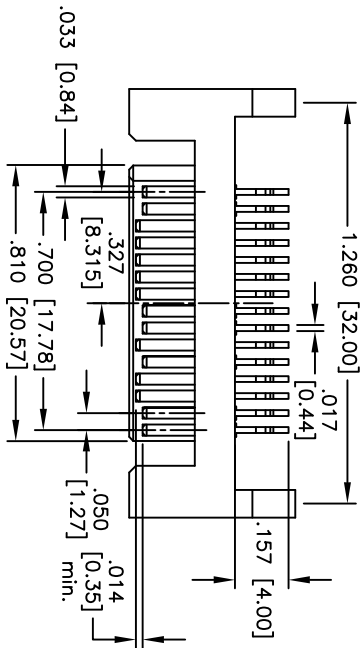
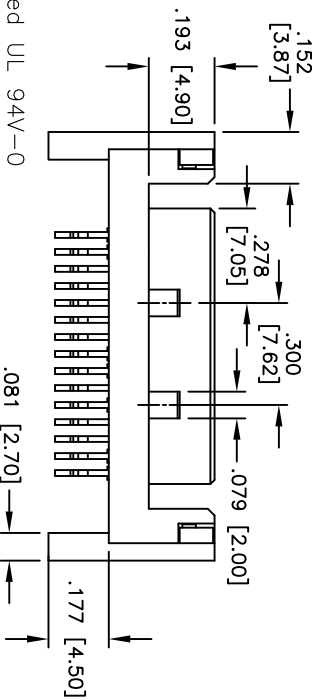


Rev	AWO #	Description	Date	Appr
-		RELEASED	5/05/10	

APPROVED: _____
 DATE: _____ TITLE: _____



RECOMMENDED PCB LAYOUT



SPECIFICATIONS:

Material:
 Insulator: LCP, rated UL 94V-0
 Insulator color: Black
Contacts: Brass
Plating:
 Gold Flash over Nickel underplate on contact area,
 Tin over Copper underplate on solder tails

Electrical:
 Current rating: 1.5 Amps per contact
 Contact resistance: 30 mohms max
 Insulation resistance: 1000 Mohms min
 Dielectric withstanding voltage: 500 VAC

Temperature Rating:
 Operating temperature: -55°C to +125°C
Environmental:
 Lead free, RoHS compliant
 Recommended soldering temp: 260°C for 5 seconds



ADAM TECH

909 Railway Avenue, Union, NJ 07083
 Phone: 908-687-5000 Fax: 908-687-5710

TITLE SATA CONNECTOR, 15PIN, MALE,
 RIGHT ANGLE, SMT TYPE

UNLESS OTHERWISE SPECIFIED ALL DIMENSIONS ARE INCHES [MM] TOLERANCES: EXCEPT AS NOTED INCHES HOLES		DATE	
.X ± .10	Ø.X ± .10	APPROVALS	DATE
.XX ± .020	Ø.XXX ± .015	DRAWN	DY
.XXX ± .015	Ø.XXX ± .010	CHECKED	
		APPROVED	

SIZE	PART NO.	DATE	REV.
X	SATA-A5-PR-SMT	5/05/10	-

REF: S00154T SCALE: NTS SHEET 1 OF 1