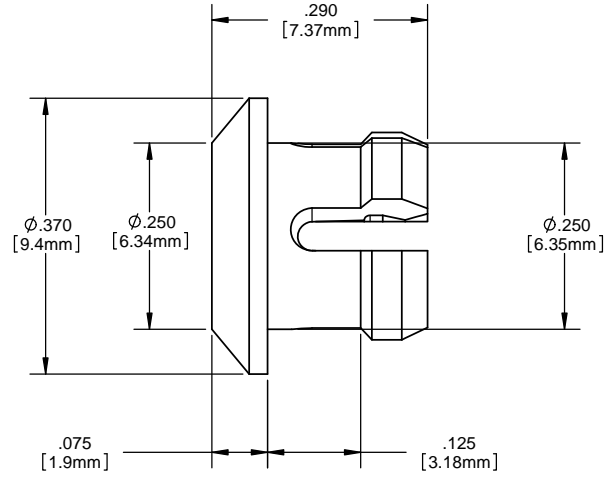
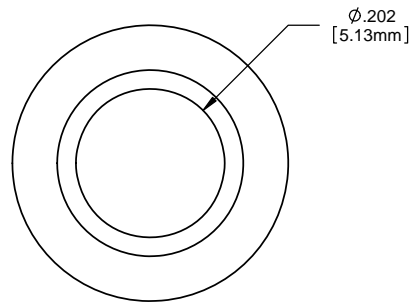
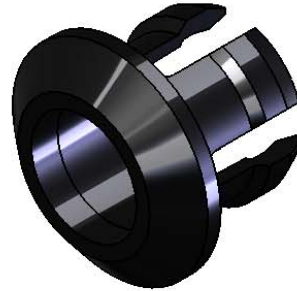


- NOTES:**
1. MOUNTING: MOUNTS IN A $\phi .250 \pm .002$ [$\phi 6.35\text{mm} \pm .05$] PANEL HOLE ON $.375$ [9.5mm] CENTERS
 2. PANEL THICKNESS: $.031$ [$.8\text{mm}$] TO $.125$ [3.18mm]
 3. PANEL HOLE SHALL BE DEBURRED, BUT NOT CHAMFERED
 4. ASSEMBLY: INSERT CLIP MOUNT THROUGH PANEL HOLE. INSERT LED THROUGH CLIPMOUNT. SLIDE SPACER OVER CLIPMOUNT.
 5. U.S. AND FOREIGN PATENT ISSUED

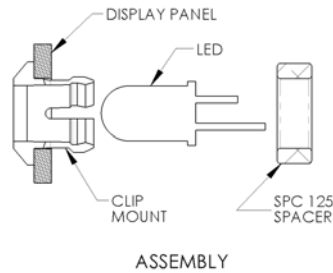
SPACER
(ORDER SEPERATELY)



SPC 125



ORDERING CODE : **CLP 127 BLK**



REVISIONS				
ECN#	REV.	DESCRIPTION	DATE	INITIALS
	1	CHG PART NO. AND DWG NO.	3-1-90	JS
	001	REVISED PER ECR111009AZ01	6-20-10	SMU
308	002	REVISED PER ECR 050311ED02	5-26-11	KH

<small>DIMENSION STYLE: INCHES (MM) GENERAL TOLERANCES UNLESS OTHERWISE SPECIFIED</small>		<small>APPROVAL</small> DRAWN: SMU CHECKED: DPZ		<small>DATE</small> 6-20-10 6-20-10	OPTOELECTRONICS <small>190 BOSSTICK BLVD. SUITE 101 SAN MARCOS, CA 92069 U.S.A. PHONE: (760) 560-1300, FAX: (760) 560-1301 EMAIL: vccsales@vccite.com</small>
<small>INCHES</small> <small>MM</small> X $\pm .020$ $\pm .508$ XX $\pm .010$ $\pm .254$ XXX $\pm .005$ $\pm .127$		<small>MATERIAL</small> POLYCARBONATE, BLACK UL 94-V2		<small>TITLE:</small> CLIPLITE® CLP 127 MOUNT	
<small>THIRD ANGLE PROJECTION</small> <small>PROPRIETARY AND CONFIDENTIAL</small> <small>THE INFORMATION CONTAINED IN THIS DRAWING IS THE SOLE PROPERTY OF VISUAL COMMUNICATIONS COMPANY, INC. ANY REPRODUCTION IN PART OR AS A WHOLE WITHOUT THE WRITTEN PERMISSION OF VISUAL COMMUNICATIONS COMPANY, INC IS PROHIBITED.</small>		<small>FINISH</small> SEE NOTES		<small>SCALE:</small> 6:1	<small>SIZE</small> DWG. NO. B CLP 127 BLK
<small>DO NOT SCALE DRAWING</small>		<small>REVISION</small> 002		<small>SHEET 1 OF 1</small>	