

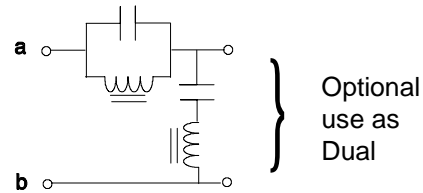
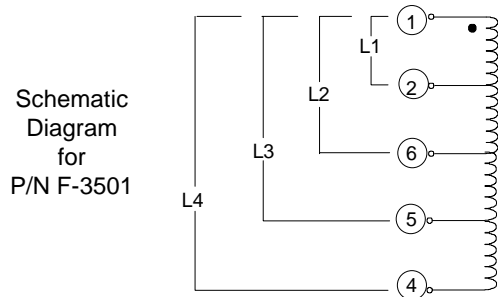
# 12 or 16 kHz Tax Pulse Filter

- Attenuates 12 or 16 kHz signals to telco equipment by more than 25 dB.
- Use two F-3501 inductors, one in a parallel LC configuration followed by one in a series configuration, to provide more than 40 dB attenuation of tax pulse signals.

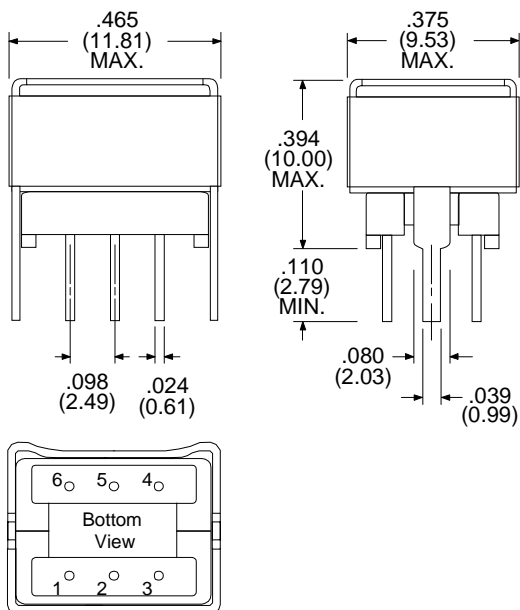
Electrical Specifications at 25°C

P/N F-3501 Section (Pins)	Inductance ±5% (mH)	D.C. Resistance Max. (Ω)	D.C. Current Max. (mA)	Dielectric Min. (VAC)	Attenuates 12kHz or 16 kHz
L1 (1-2)	1.44	2.30	90	1250	16 kHz, <i>Parallel</i> L1 with C=68 nF
L2 (1-6)	2.58	3.25	70	1250	12 kHz, <i>Parallel</i> L2 with C=68 nF
L3 (1-5)	4.52	6.35	90	1250	16 kHz, <i>Series</i> L3 with C=22 nF
L4 (1-4)	7.96	10.7	70	1250	12 kHz, <i>Series</i> L4 with C=22 nF

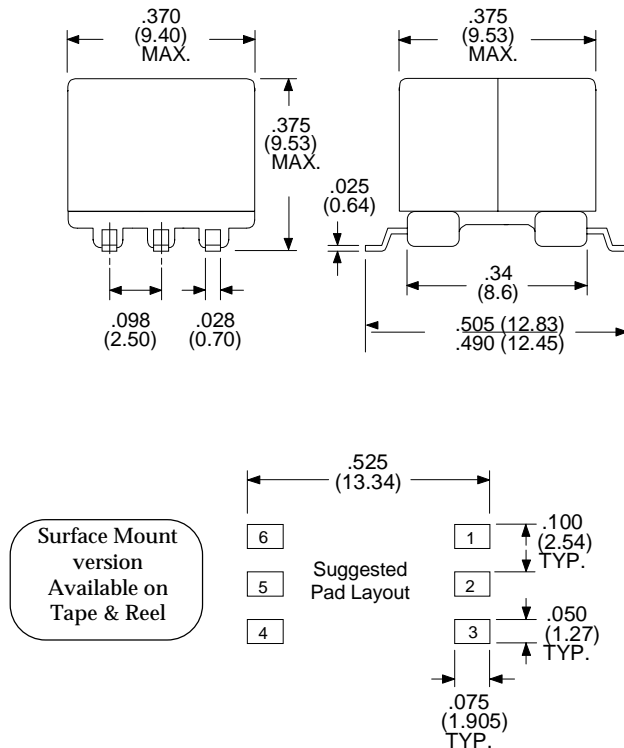
1. Tested at 10KHz and 100 mV<sub>RMS</sub>



P/N F-3501  
Thru-hole Package



P/N F-3501G  
Surface Mount Package



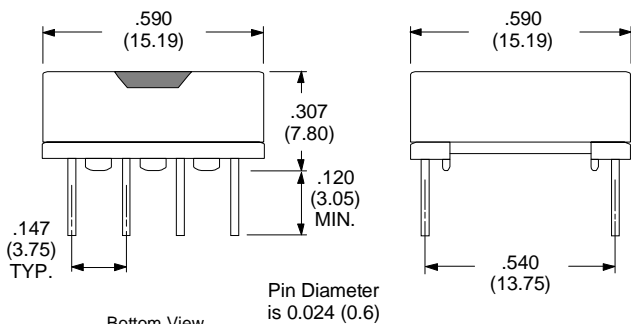
# 12 or 16 kHz Tax Pulse Filter

- Attenuates 12 or 16 kHz signals to telco equipment by more than 25 dB.
- Use two F-3504 inductors, one in a parallel LC configuration followed by one in a series configuration, to provide more than 40 dB attenuation of tax pulse signals.

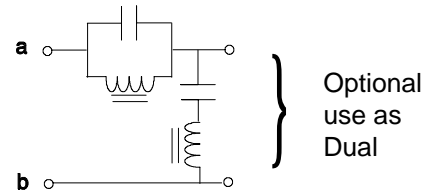
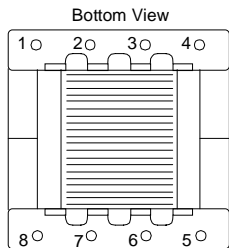
Electrical Specifications at 25°C

P/N F-3504 Section (Pins)	Inductance ±5% (mH)	D.C. Resistance Max. (Ω)	D.C. Current Max. (mA)	Dielectric Min. (VAC)	Attenuates 12kHz or 16kHz
L1 (1-3)	1.44	2.30	90	1250	16 kHz, <i>Parallel</i> L1 with C=68 nF
L2 (1-10)	2.58	3.25	70	1250	12 kHz, <i>Parallel</i> L2 with C=68 nF
L3 (1-8)	4.52	6.35	90	1250	16 kHz, <i>Series</i> L3 with C=22 nF
L4 (1-6)	7.96	10.7	70	1250	12 kHz, <i>Series</i> L4 with C=22 nF

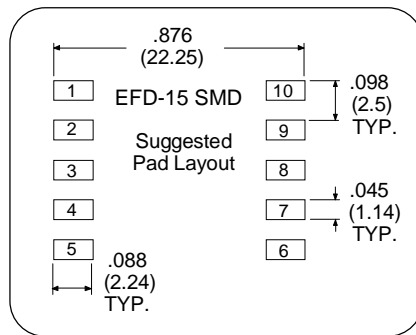
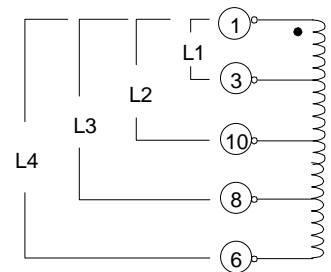
1. Tested at 10KHz and 100 mV<sub>RMS</sub>



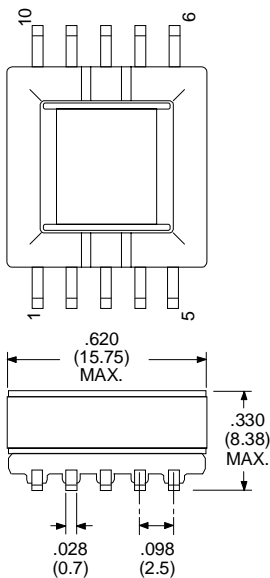
P/N F-3504  
EFD-15 Thru-hole Package



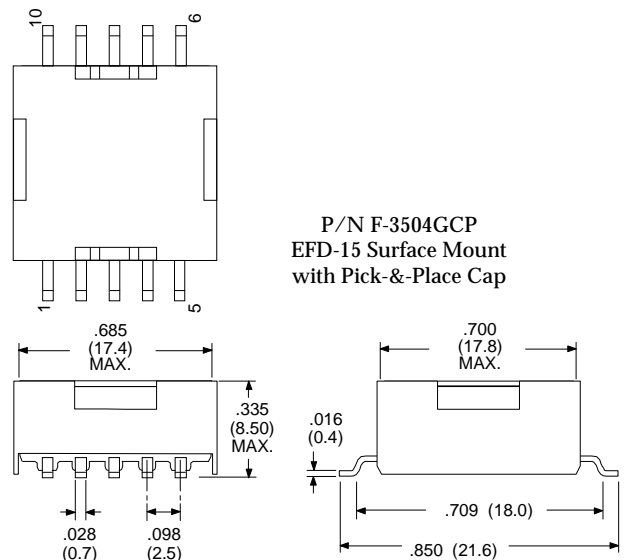
Schematic Diagram  
P/N F-3504



P/N F-3504G  
EFD-15 Surface Mount Package



P/N F-3504GCP  
EFD-15 Surface Mount with Pick-&-Place Cap



Specifications subject to change without notice.

For other values & Custom Designs, contact factory.

TAXFILT2 - 10/98