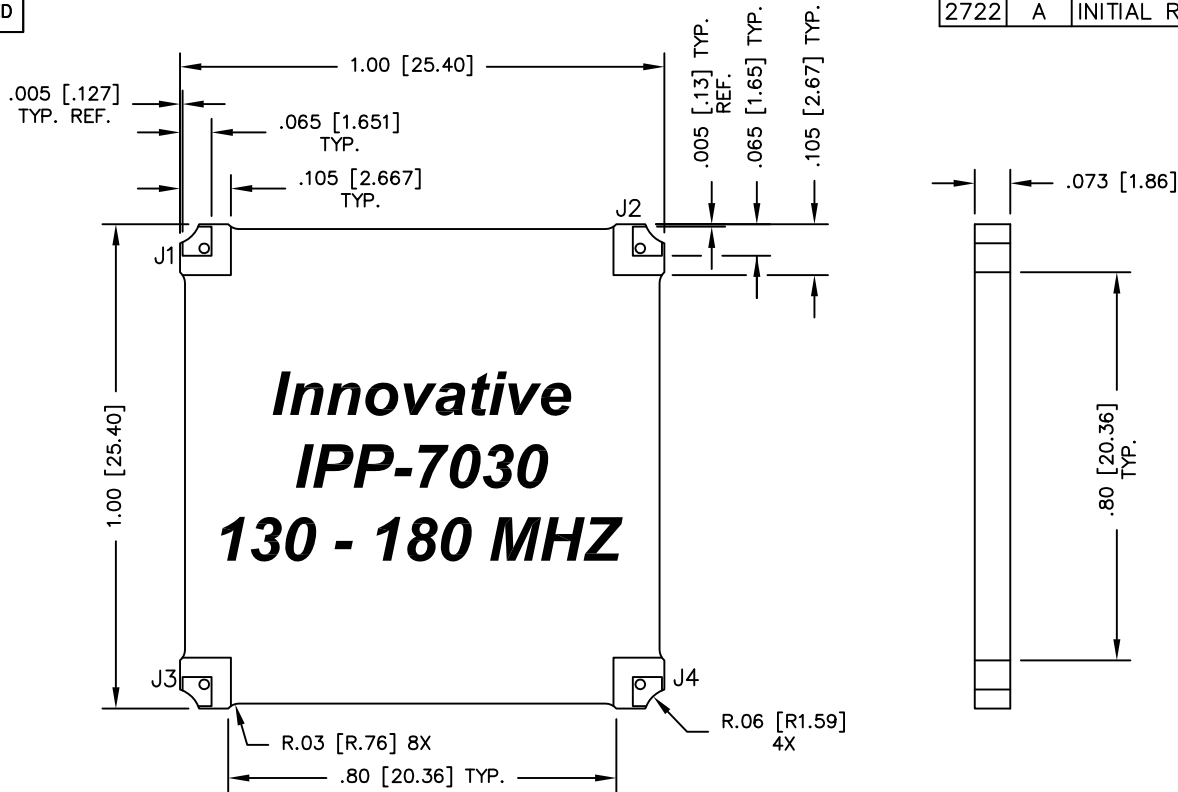


UNAUTHORIZED USE OF THIS
DRAWING IS STRICTLY PROHIBITED

DAR	REV	DESCRIPTION	APPVD	DATE
2722	A	INITIAL RELEASE	TJD	10-10



**Innovative
IPP-7030
130 - 180 MHz**

FINISH	
P/N	TYPE
IPP-7030	TIN/LEAD
IPP-7030RT	RoHS MATTE TIN
IPP-7030RG	RoHS NICKEL GOLD

NOTES:

- SEE SMD COUPLER APPLICATION NOTE FOR FURTHER INFORMATION.
- PARTS WITH RoHS MATT TIN AND RoHS NICKEL GOLD FINISHES ARE RoHS COMPLIANT.
- AVAILABLE IN TAPE AND REEL. SEE SMD COUPLER APPLICATION NOTE FOR FURTHER INFORMATION.

ELECTRICAL SPECIFICATIONS

FREQUENCY: 130 - 180 MHz.
 INSERTION LOSS: <0.25 dB
 VSWR: <1.25:1
 ISOLATION: >20 dB
 AMPLITUDE BALANCE: ±0.25 dB
 PHASE BALANCE: ±5°
 POWER: 250 WATT
 TEMPERATURE: -55°C TO 85°C

PORT CONFIGURATION				
INPUT	J1	J2	J3	J4
J1	---	ISOLATION	-3dB<0 DEG	-3dB<-90 DEG
J2	ISOLATION	---	-3dB<-90 DEG	-3dB<0 DEG
J3	-3dB<0 DEG	-3dB<-90 DEG	---	ISOLATION
J4	-3dB<-90 DEG	-3dB<0 DEG	ISOLATION	---

MATERIAL	DWN DG	DATE 10-09		
FINISH SEE CHART	ENG TJD	DATE 10-09		
TOLERANCE	MANUF TP	DATE 10-09		
IN [MM]	CAGE CODE: 437R2		TITLE	OUTLINE
.XX ±.02 [.50] .XXX ±.010 [.254] ANG. ±1/2°	SHEET 1	OF 1	SCALE 4:1	SMD COUPLER, 90°, 130 - 180 MHz. 250W
	SIZE B	P/N	IPP-7030*	REV. A