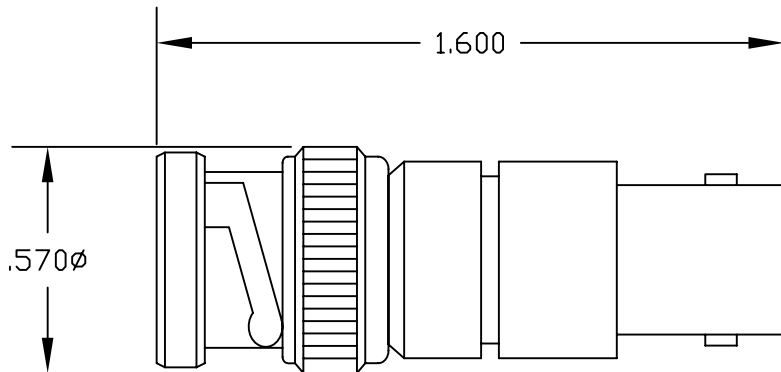


**MATERIALS**

<b>BODY</b>	<b>BRASS NICKEL PLATED</b>
<b>CONTACT</b>	<b>GOLD PLATED</b>
<b>INSULATOR</b>	<b>PTFE</b>



SPECIFICATIONS

FREQUENCY RANGE: 100 MHz TO 4 GHz  
 TYPE OF D.C BLOCK: INNER  
 INSERTION LOSS: .5 dB MAXIMUM  
 VSWR: 1.35:1 MAXIMUM  
 WORKING VOLTAGE: 200 VOLTS



**PASTERNACK ENTERPRISES, INC.**  
 P.O BOX 16759, IRVINE, CA 92623  
 PHONE (949) 261-1920 FAX (949) 261-7451  
 WEB ADDRESS: [www.pasternack.com](http://www.pasternack.com)  
 E-MAIL ADDRESS: [sales@pasternack.com](mailto:sales@pasternack.com)  
**COAXIAL & FIBER OPTICS**

DWG TITLE

**PE8231**

DES.

"75 OHM BNC" MALE TO "75 OHM BNC"  
 FEMALE D.C. BLOCK

SIZE A

**FSCM NO. 53919**

CAD FILE

080802

SCALE N/A

127

**NOTES:**

1. UNLESS OTHERWISE SPECIFIED ALL DIMENSIONS ARE NOMINAL.
2. ALL SPECIFICATIONS ARE SUBJECT TO CHANGE WITHOUT NOTICE AT ANY TIME.