

PLEASE CHECK WWW.MOLEX.COM FOR LATEST PART INFORMATION

Part Number: [73174-0410](#)
Status: **Active**
Overview: DIN 1.0/2.3 Connector and Backplane System
Description: 50 Ohms, DIN 1.0/2.3 Right-Angle Jack

Documents:

[Drawing \(PDF\)](#) [RoHS Certificate of Compliance \(PDF\)](#)
[Product Specification PS-89675-345 \(PDF\)](#)

General

Product Family	RF/Coax Connectors
Series	73174
Overview	DIN 1.0/2.3 Connector and Backplane System
Product Name	DIN 1.0/2.3
Style	PCB
UPC	822348277292
Wire/Cable Type	N/A

Physical

Gender	Jack
Keying to Mating Part	None
Orientation	Right Angle
PCB Mounting	Through Hole
Packaging Type	Bag
Panel Mount	No
Panel Mount Method	Bulkhead
Reverse Polar	No

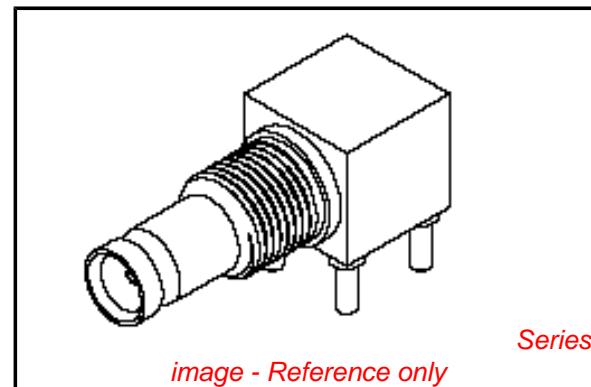
Electrical

Impedance	50#
-----------	-----

Material Info

Reference - Drawing Numbers

Product Specification	PS-89675-345
Sales Drawing	SD-73174-041



EU RoHS

RoHS Compliant RF Product
REACH SVHC Not Reviewed
Low-Halogen Status Not Reviewed

China RoHS



Need more information on product environmental compliance?

Email productcompliance@molex.com
 For a multiple part number RoHS Certificate of Compliance, [click here](#)

Please visit the [Contact Us](#) section for any non-product compliance questions.

Search Parts in this Series
 73174Series