

IEC Appliance Inlet C8, Screw-on Mounting, Front Side, Solder or Quick-connect Terminal



C8A



70° C

**Description**

- Panel Mount:
Screw-on mounting, Frontside
- 1 Function:

- Appliance Inlet, Pin temperature 70 °C, Protection class II
- Solder, Quick Connect or PCB Terminal

Approvals

- VDE Certificate Number: 40002274
- UL File Number: E96454
- CSA File Number: 27324

Characteristics

- Contact pins are turned from solid material

References

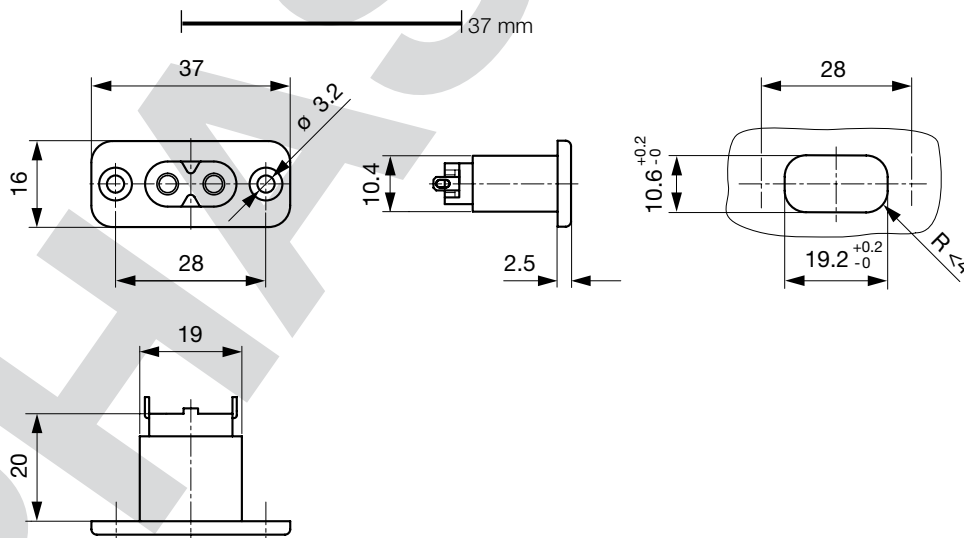
This type is Phase-out. Alternate type: [0720-FS](#)
Last order date: 31.12.2012

Weblinks

[pdf-datasheet](#), [html-datasheet](#), [General Product Information](#), [Approvals](#), [RoHS](#), [CHINA-RoHS](#), [Mating Connectors](#), [e-Shop](#), [SCHURTER-Stock-Check](#), [Distributor-Stock-Check](#), [CAD-Drawings](#), [Accessories](#), [Detailed request for product](#)

Technical Data

Ratings IEC	2.5 A / 250 VAC; 50 Hz
Ratings UL/CSA	2.5 A / 250 VAC; 60 Hz
Dielectric Strength	> 3 kVAC between L-N > 1.5 kVAC between L/N-PE (1 min/50 Hz)
Allowable Operation Temp.	-25 °C to 70 °C
Degree of Protection	from front side IP 20 acc. to IEC 60529
Protection Class	Suitable for appliances with protection class II acc. to IEC 61140
Material: Housing	PA6, black or grey, UL 94V-0

Dimensions

Length of the terminal please find at the order code configuration table

Config. Code



2574 - H - A B C 0 - D - E

The characters are placeholders for the correspondingly keys of selections from the key tables.

2574 - H - A B C 0 - D - E = Type

Type	Configuration key
protection class 2	B

2574 - H - A B C 0 - D - E = Terminals

Terminal L	Configuration key
short solder terminal (L = 4.8 mm) 	2
long solder terminal (L = 8.5 mm) 	3
Blade terminal (2.8 x 0.8 mm) 	7

2574 - H - A B C 0 - D - E = Terminals

Terminal N	Configuration key
short solder terminal (L = 4.8 mm)	2
long solder terminal (L = 8.5 mm)	3
Blade terminal (2.8 x 0.8 mm)	7

Symbols similar as in table A

2574 - H - A B C 0 - D - E = Terminals

Terminal Ground	Configuration key
without terminal	0

Symbols similar as in table A

2574 - H - A B C 0 - D - E = Color

Color	Configuration key
Black	A
Grey	B

2574 - H - A B C 0 - D - E = Style

Style	Configuration key
flange with countersunk holes	1
flange with through holes	2

Variants

Config. Code	Description	Order Number
2574-X-2200-A-1	2574, IEC Appliance Inlet , 70°C, , version: 2, L: short solder terminal (L = 4.8 mm), N: short solder terminal (L = 4.8 mm), ground: without terminal, color: Black, design: flange with countersunk holes, dimension X:	6160.0019
2574-X-7700-A-1	2574, IEC Appliance Inlet , 70°C, , version: 2, L: Blade terminal (2.8 x 0.8 mm), N: Blade terminal (2.8 x 0.8 mm), ground: without terminal, color: Black, design: flange with countersunk holes, dimension X:	6160.0020

The listed variants should be available from stock Other versions on request www.schurter.com/contact

Packaging unit 100 Pcs