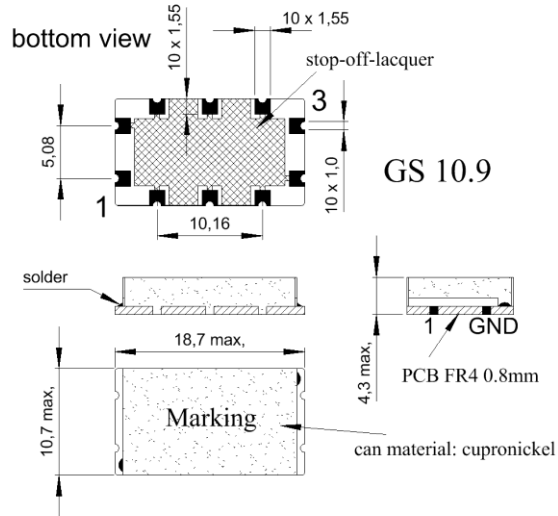


Specification for LC low-pass filter:

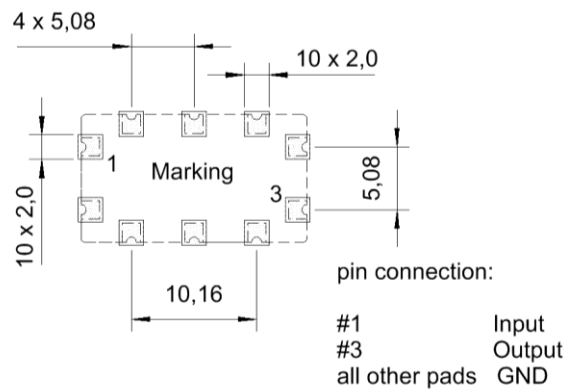
LC 0 - 75 . 0 / 07

1. General

1.1. Package:

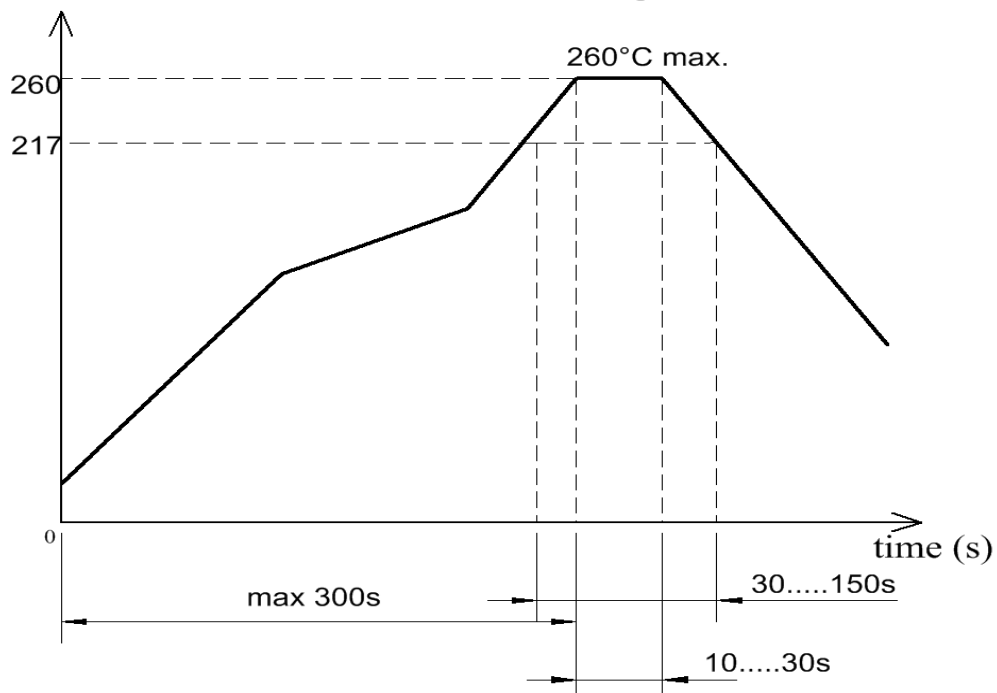


recommended footprint for package GS 10.9
top view



temperature (°C)

Reflow soldering: three times max.



- | | |
|-----------------------------------|----------------|
| 1.2. Type name: | LC 0-75.0/07 |
| 1.3. Number of poles: | 11 |
| 1.4. Operating temperature range: | -20°C to +70°C |
| 1.5. Storage temperature range: | -35°C to +85°C |

2. Electric values

2.1. Pass band

- | | |
|------------------------|-------------------------------|
| 2.1.1. Pass band range | $0 < f < 75.0 \text{ MHz}$ |
| < 1.0 dB | $0 < f < 50.0 \text{ MHz}$ |
| < 2.0 dB | $50.0 < f < 71.0 \text{ MHz}$ |
| < 3.0 dB | $71.0 < f < 75.0 \text{ MHz}$ |

- | | |
|-----------------------|-----------------------|
| 2.1.2. Insertion loss | |
| at 10 MHz: | $\leq 0.5 \text{ dB}$ |
| at 30 MHz: | $\leq 0.8 \text{ dB}$ |
| at 60 MHz: | $\leq 1.5 \text{ dB}$ |

- | | |
|-----------------------------|---|
| 2.1.3. Ripple in pass band: | $\leq 0.1 \text{ dB}$ (measured peak to peak) |
|-----------------------------|---|

2.2. Stop band

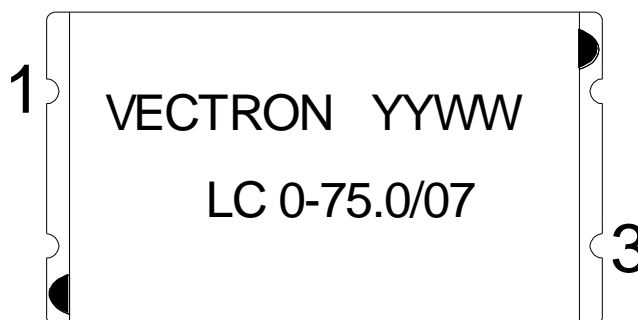
- | | |
|---|-------------------|
| 2.2.1. Stop band range | |
| $125 \text{ MHz} < f < 700 \text{ MHz}$ | $> 60 \text{ dB}$ |

- | | |
|--|-----------------------------|
| 2.3. Terminating impedance (input and output): | $50 \Omega // 0 \text{ pF}$ |
|--|-----------------------------|

- | | |
|---------------------------|---------|
| 2.4. Maximum input power: | +20 dBm |
|---------------------------|---------|


3. Marking on the package:

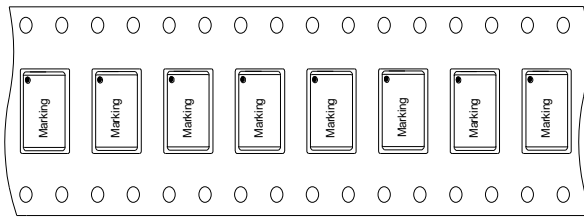
top view



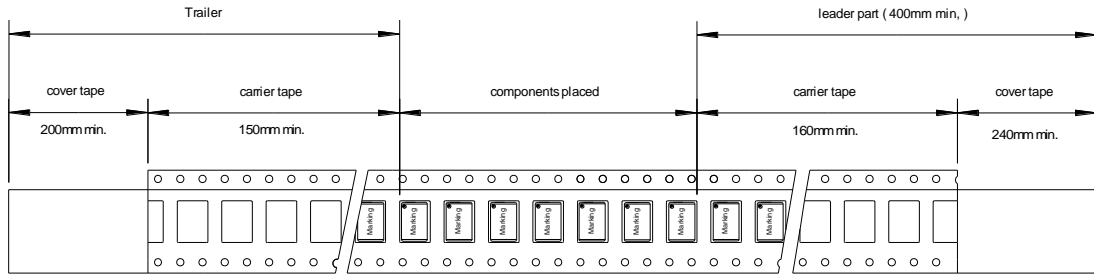
- | | |
|----------------------------|---|
| 4. Environment conditions: | corresponding to Vectron standard CF001 |
|----------------------------|---|

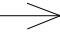
5. Taping (maximum 700 pcs. / reel)

Drawing out direction 



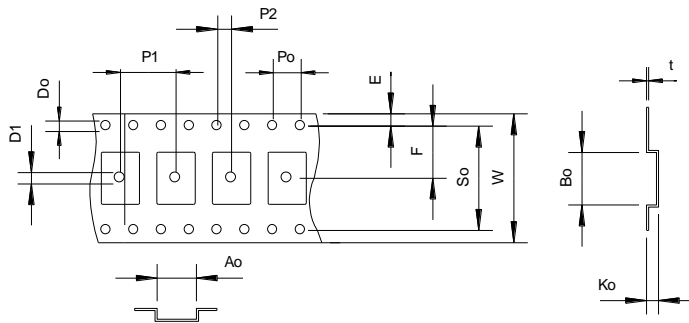
Tape dimension (mm)



Drawing out direction (leading direction) 

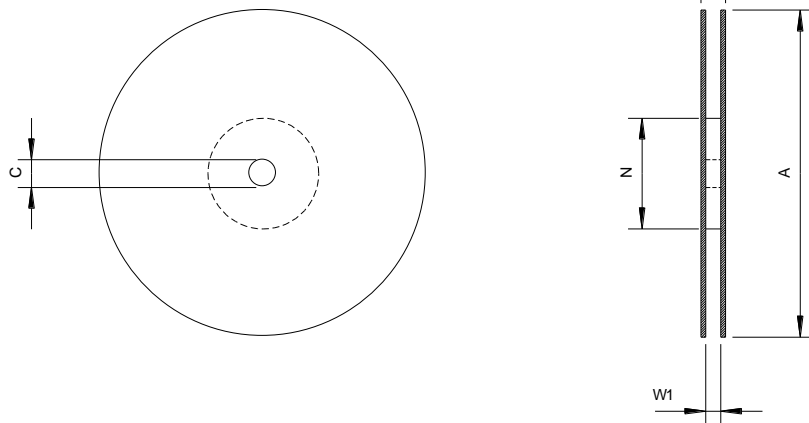
Tape (all dimensions in mm)

- W: 32.0 ± 0.3
- So: 28.4 ± 0.1
- P1: 16.0 ± 0.1
- F: 14.2 ± 0.1
- Ko: 6.1 ± 0.1
- Ao: 11.2 ± 0.1
- Bo: 20.0 ± 0.1



Reel (all dimension in mm)

- A: ø 330 max.
- C: ø 21.8 ± 0.5
- N: ø 100 min.
- W1: 33.5 ± 0.5
- W2: 37.5 ± 0.5



Edited by: _____ date: _____ name: _____