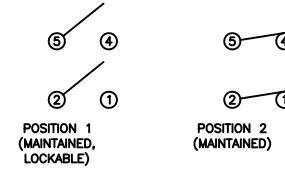


**SCHEMATIC**



**SPECIFICATIONS**

FUNCTION:  
2P1T OFF-ON

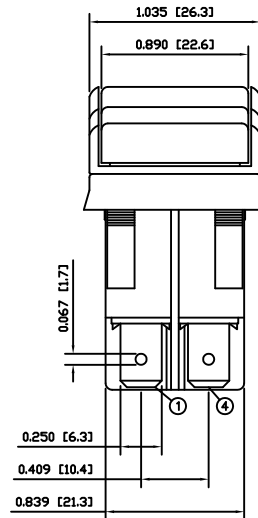
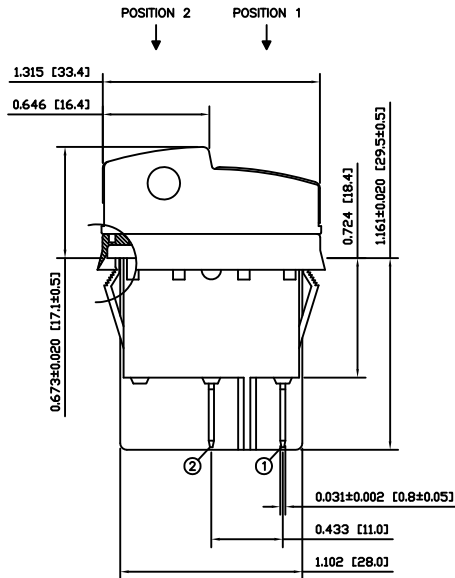
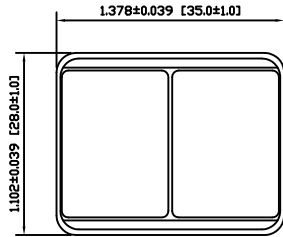
RATINGS:  
ANSI/UL 508 (E195908):  
20A 125VAC [UR]  
12A 250VAC [UR]

ELECTRICAL LIFE:  
6,000 Cycles [UR]

TEMPERATURE:  
0°C to 85°C [UR]

INGRESS PROTECTION:  
IP54

APPROVALS:  
 **RoHS**  
COMPLIANT



**COLORS AND MARKINGS**

BODY:  
Black

ACTUATOR:  
Black

MARKING:  
None

MARKING COLOR:  
None

**MATERIALS**

BODY:  
Polyamide 6/6 (PA66+10%GF), UL94 V-0

BEZEL:  
Polyamide 6 (PA6), UL94 V-2

ACTUATORS:  
Polyamide 6/6 (PA66), UL94 V-2

ACTUATION MEMBER:  
Polyamide 6/6 (PA66), UL94 V-0

SPRING:  
Steel (65Mn)

GASKET:  
Polyvinyl Chloride (PVC)

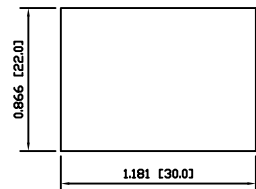
O-RING:  
Silicone Rubber

CONTACTS:  
Silver Clad Copper (T2)

MOBILE CONTACT:  
Silver Plated Copper (T2)

TERMINALS:  
Silver Plated Copper (H62)  
Silver Plated Brass (T2)

**SUGGESTED PANEL CUTOUT**



BODY	A	09/08/21	CAB
COLORS	A	09/08/21	CAB
MATERIALS	A	09/08/21	CAB
SPECIFICATIONS	B	10/04/27	CAB
REFERENCE	REV.	DATE	BY

THE INFORMATION CONTAINED IN THIS DOCUMENT IS PROPRIETARY TO E-SWITCH AND IS NOT TO BE COPIED OR TRANSFERRED

B	CORRECTED TEMPERATURE RANGE	19037	10/04/27	CAB
A	INITIAL RELEASE	PCRD0080	09/08/24	CAB
REV.	DESCRIPTION	PCR	DATE	DRAWN BY

DIMENSIONS	INCHES [MILLIMETERS]
GENERAL TOLERANCES	±0.008 [±0.2] / ±1'
SCALE	DRAWING NOT TO SCALE

<b>PB2L42D1100</b>		
ITEM NUMBER	DATE	REVISION
34-PB2L42D1100	APRIL 27, 2010	B