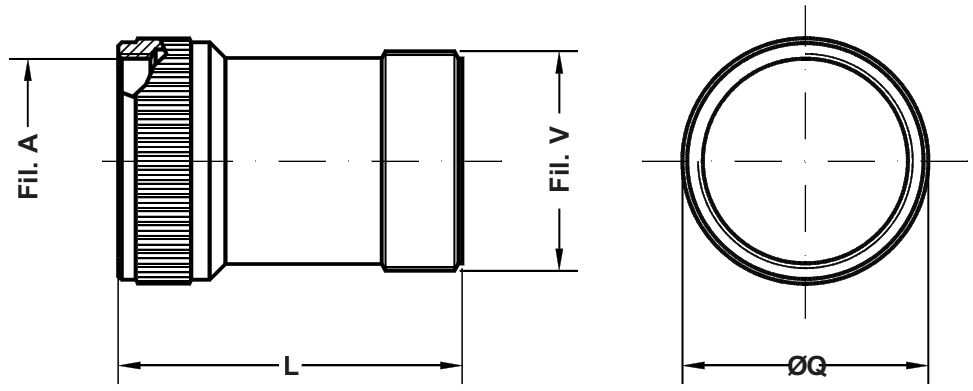
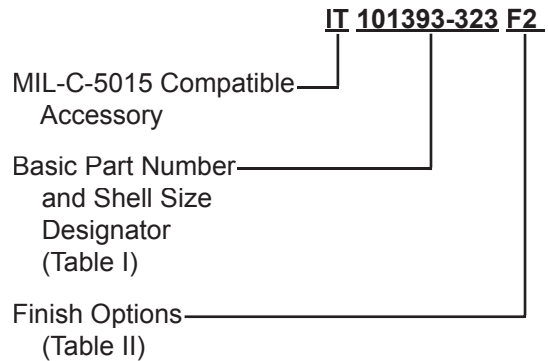




IT 101393-XX3
Extender Backshell for Plug Connectors
for Use with Cable Clamp IT3057-XX A/B/C



Application Notes:

1. To make wiring easier an extender backshell is available for use with cable clamp IT3057-XX A/B/C (Page 00).
2. Standard materials configuration consists of aluminum alloy with cadmium olive drab finish.
3. Other types of front and rear connector accessories are available.
See our website and/or contact the factory for complete information.



IT 101393-XX3
Extender Backshell for Plug Connectors
for Use with Cable Clamp IT3057-XX A/B/C



TABLE I: ADAPTER PART NUMBERS, SHELL SIZE, THREAD AND DIMENSIONS

Part Number	Shell Size	A Thread	L Max.	Q ±0.2	V Thread
IT 101393-123	10 SL	0.6250 - 24UNEF	50.0	20.0	0.6250 - 24UNEF
IT 101393-143	14 S	0.7500 - 20UNEF	50.0	23.0	0.7500 - 20UNEF
IT 101393-163	16 S	0.8750 - 20UNEF	50.0	25.0	0.8750 - 20UNEF
IT 101393-173	16	0.8750 - 20UNEF	54.0	25.0	0.8750 - 20UNEF
IT 101393-183	18	1.0000 - 20UNEF	56.0	29.5	1.0000 - 20UNEF
IT 101393-203	20	1.1250 - 18UNEF	56.0	32.0	1.1875 - 18UNEF
IT 101393-223	22	1.2500 - 18UNEF	56.0	35.0	1.1875 - 18UNEF
IT 101393-243	24	1.3750 - 18UNEF	56.0	38.5	1.4375 - 18UNEF
IT 101393-283	28	1.6250 - 18UNEF	61.0	45.0	1.4375 - 18UNEF
IT 101393-323	32	1.8750 - 16UN	61.0	53.2	1.7500 - 18UNS
IT 101393-363	36	2.0625 - 16UN	61.0	57.4	2.0000 - 18UNS
IT 101393-403	40	2.3125 - 16UN	61.0	63.2	2.2500 - 16UN

TABLE II: MODIFICATION CODES

FINISH OPTIONS	
Sym	Description
F2	Bright Nickel Plating
F6	Black Electrodeposited Paint
F7	Black Zn-Co Plating
F8	Olive Drab Zn-Co Plating
Omit for standard version (see note 2)	

