

TM4SK64KPN 4194304 BY 64-BIT TM8SK64KPN 8388608 BY 64-BIT SYNCHRONOUS DYNAMIC RAM MODULES — SODIMM

SMMS709 – APRIL 1998

- **Organization:**
 - TM4SK64KPN . . . 4 194 304 x 64 Bits
 - TM8SK64KPN . . . 8 388 608 x 64 Bits
- **Single 3.3-V Power Supply ($\pm 10\%$ Tolerance)**
- **Designed for 66-MHz 4-Clock Systems**
- **JEDEC 144-Pin Small-Outline Dual-In-Line Memory Module (SODIMM) Without Buffer for Use With Socket**
- **TM4SK64KPN — Uses Four 64M-Bit Synchronous Dynamic RAMs (SDRAMs) (4M \times 16-Bit) in Plastic Thin Small-Outline Packages (TSOPs)**
- **TM8SK64KPN — Uses Eight 64M-Bit SDRAMs (4M \times 16-Bit) in Plastic TSOPs**
- **Byte-Read/Write Capability**
- **Performance Ranges:**
- **High-Speed, Low-Noise, Low-Voltage TTL (LVTTTL) Interface**
- **Read Latencies 2 and 3 Supported**
- **Support Burst-Interleave and Burst-Interrupt Operations**
- **Burst Length Programmable to 1, 2, 4, and 8**
- **Four Banks for On-Chip Interleaving (Gapless Access)**
- **Ambient Temperature Range 0°C to 70°C**
- **Gold-Plated Contacts**
- **Pipeline Architecture**
- **Serial Presence Detect (SPD) Using EEPROM**

	SYNCHRONOUS CLOCK CYCLE TIME		ACCESS TIME CLOCK TO OUTPUT		REFRESH INTERVAL
	t _{CK3}	t _{CK2}	t _{AC3}	t _{AC2}	t _{REF}
*xSK64KPN – 10	10 ns	15 ns	7 ns	7 ns	64 ms

description

The TM4SK64KPN is a 32M-byte, 144-pin small-outline dual-in-line memory module (SODIMM). The SODIMM is composed of four TMS664164DGE, 4194304 x 16-bit SDRAMs, each in a 400-mil, 54-pin plastic thin small-outline package (TSOP) mounted on a substrate with decoupling capacitors. See the TMS664164 data sheet (literature number SMOS695).

The TM8SK64KPN is a 64M-byte, 144-pin SODIMM. The SODIMM is composed of eight TMS664164DGE, 4194304 x 16-bit SDRAMs, each in a 400-mil, 54-pin plastic TSOP mounted on a substrate with decoupling capacitors. See the TMS664164 data sheet (literature number SMOS695).

operation

The TM4SK64KPN operates as four TMS664164DGE devices that are connected as shown in the TM4SK64KPN functional block diagram. The TM8SK64KPN operates as eight TMS664164DGE devices connected as shown in the TM8SK64KPN functional block diagram.



Please be aware that an important notice concerning availability, standard warranty, and use in critical applications of Texas Instruments semiconductor products and disclaimers thereto appears at the end of this data sheet.

PRODUCT PREVIEW information concerns products in the formative or design phase of development. Characteristic data and other specifications are design goals. Texas Instruments reserves the right to change or discontinue these products without notice.



POST OFFICE BOX 1443 • HOUSTON, TEXAS 77251-1443

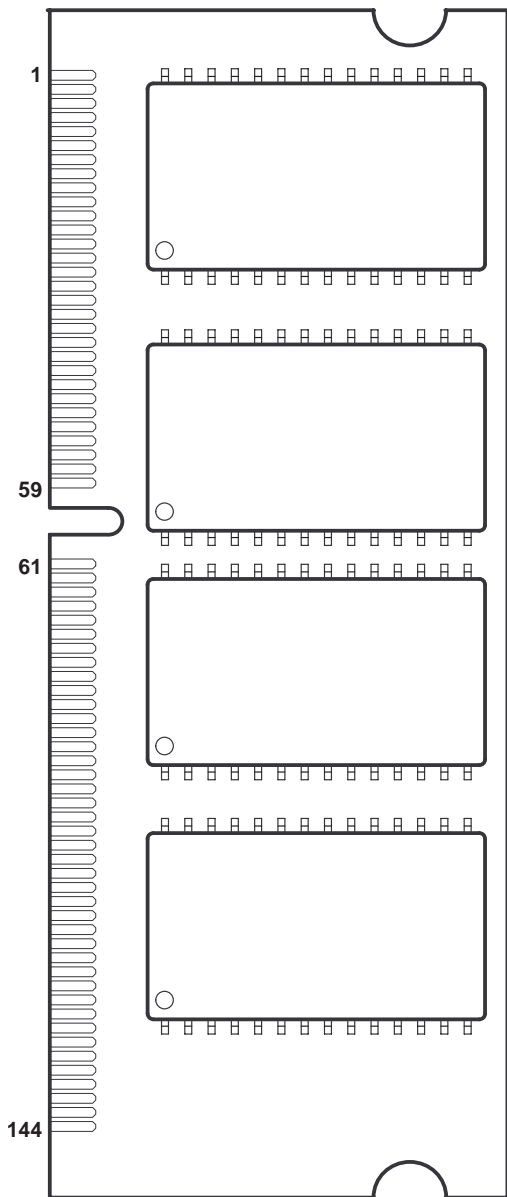
Copyright © 1998, Texas Instruments Incorporated

PRODUCT PREVIEW

TM4SK64KPN 4194304 BY 64-BIT
TM8SK64KPN 8388608 BY 64-BIT
SYNCHRONOUS DYNAMIC RAM MODULES — SODIMM

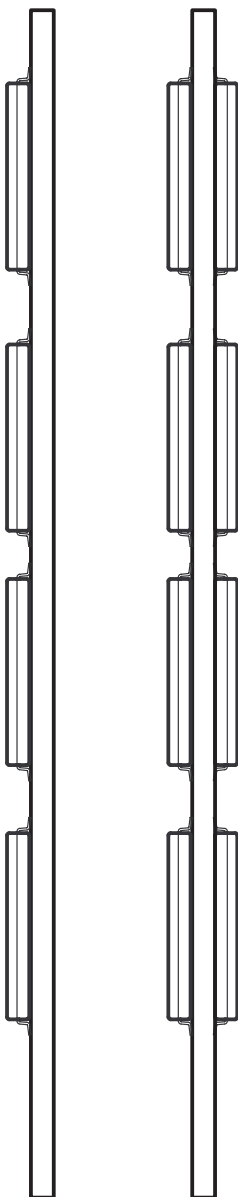
SMMS709 – APRIL 1998

**DUAL-IN-LINE MEMORY MODULE
(TOP VIEW)**



**TM4SK64KPN
(SIDE VIEW)**

**TM8SK64KPN
(SIDE VIEW)**



PIN NOMENCLATURE

A[0:11]	Row-Address Inputs
A[0:7]	Column-Address Inputs
A13/BA0	Bank-Select Zero
A12/BA1	Bank-Select One
CAS	Column-Address Strobe
CKE[0:1]	Clock Enable
CK[0:1]	System Clock
DQ[0:63]	Data-In/Data-Out
DQMB[0:7]	Data-In/Data-Out Mask Enable
NC	No Connect
RAS	Row-Address Strobe
S[0:1]	Chip-Select
SCL	SPD Clock
SDA	SPD Address/Data
V _{DD}	3.3-V Supply
V _{SS}	Ground
WE	Write Enable

PRODUCT PREVIEW

TM4SK64KPN 4194304 BY 64-BIT
TM8SK64KPN 8388608 BY 64-BIT
SYNCHRONOUS DYNAMIC RAM MODULES — SODIMM

SMMS709 – APRIL 1998

Pin Assignments

PIN		PIN		PIN		PIN	
NO.	NAME	NO.	NAME	NO.	NAME	NO.	NAME
1	V _{SS}	37	DQ8	73	NC	109	A9
2	V _{SS}	38	DQ40	74	CK1	110	A12/BA1
3	DQ0	39	DQ9	75	V _{SS}	111	A10
4	DQ32	40	DQ41	76	V _{SS}	112	A11
5	DQ1	41	DQ10	77	NC	113	V _{DD}
6	DQ33	42	DQ42	78	NC	114	V _{DD}
7	DQ2	43	DQ11	79	NC	115	DQMB2
8	DQ34	44	DQ43	80	NC	116	DQMB6
9	DQ3	45	V _{DD}	81	V _{DD}	117	DQMB3
10	DQ35	46	V _{DD}	82	V _{DD}	118	DQMB7
11	V _{DD}	47	DQ12	83	DQ16	119	V _{SS}
12	V _{DD}	48	DQ44	84	DQ48	120	V _{SS}
13	DQ4	49	DQ13	85	DQ17	121	DQ24
14	DQ36	50	DQ45	86	DQ49	122	DQ56
15	DQ5	51	DQ14	87	DQ18	123	DQ25
16	DQ37	52	DQ46	88	DQ50	124	DQ57
17	DQ6	53	DQ15	89	DQ19	125	DQ26
18	DQ38	54	DQ47	90	DQ51	126	DQ58
19	DQ7	55	V _{SS}	91	V _{SS}	127	DQ27
20	DQ39	56	V _{SS}	92	V _{SS}	128	DQ59
21	V _{SS}	57	NC	93	DQ20	129	V _{DD}
22	V _{SS}	58	NC	94	DQ52	130	V _{DD}
23	DQMB0	59	NC	95	DQ21	131	DQ28
24	DQMB4	60	NC	96	DQ53	132	DQ60
25	DQMB1	61	CK0	97	DQ22	133	DQ29
26	DQMB5	62	CKE0	98	DQ54	134	DQ61
27	V _{DD}	63	V _{DD}	99	DQ23	135	DQ30
28	V _{DD}	64	V _{DD}	100	DQ55	136	DQ62
29	A0	65	$\overline{\text{RAS}}$	101	V _{DD}	137	DQ31
30	A3	66	$\overline{\text{CAS}}$	102	V _{DD}	138	DQ63
31	A1	67	$\overline{\text{WE}}$	103	A6	139	V _{SS}
32	A4	68	CKE1	104	A7	140	V _{SS}
33	A2	69	$\overline{\text{S0}}$	105	A8	141	SDA
34	A5	70	NC	106	A13/BA0	142	SCL
35	V _{SS}	71	$\overline{\text{S1}}$	107	V _{SS}	143	V _{DD}
36	V _{SS}	72	NC	108	V _{SS}	144	V _{DD}

PRODUCT PREVIEW



TM4SK64KPN 4194304 BY 64-BIT
TM8SK64KPN 8388608 BY 64-BIT
SYNCHRONOUS DYNAMIC RAM MODULES — SODIMM

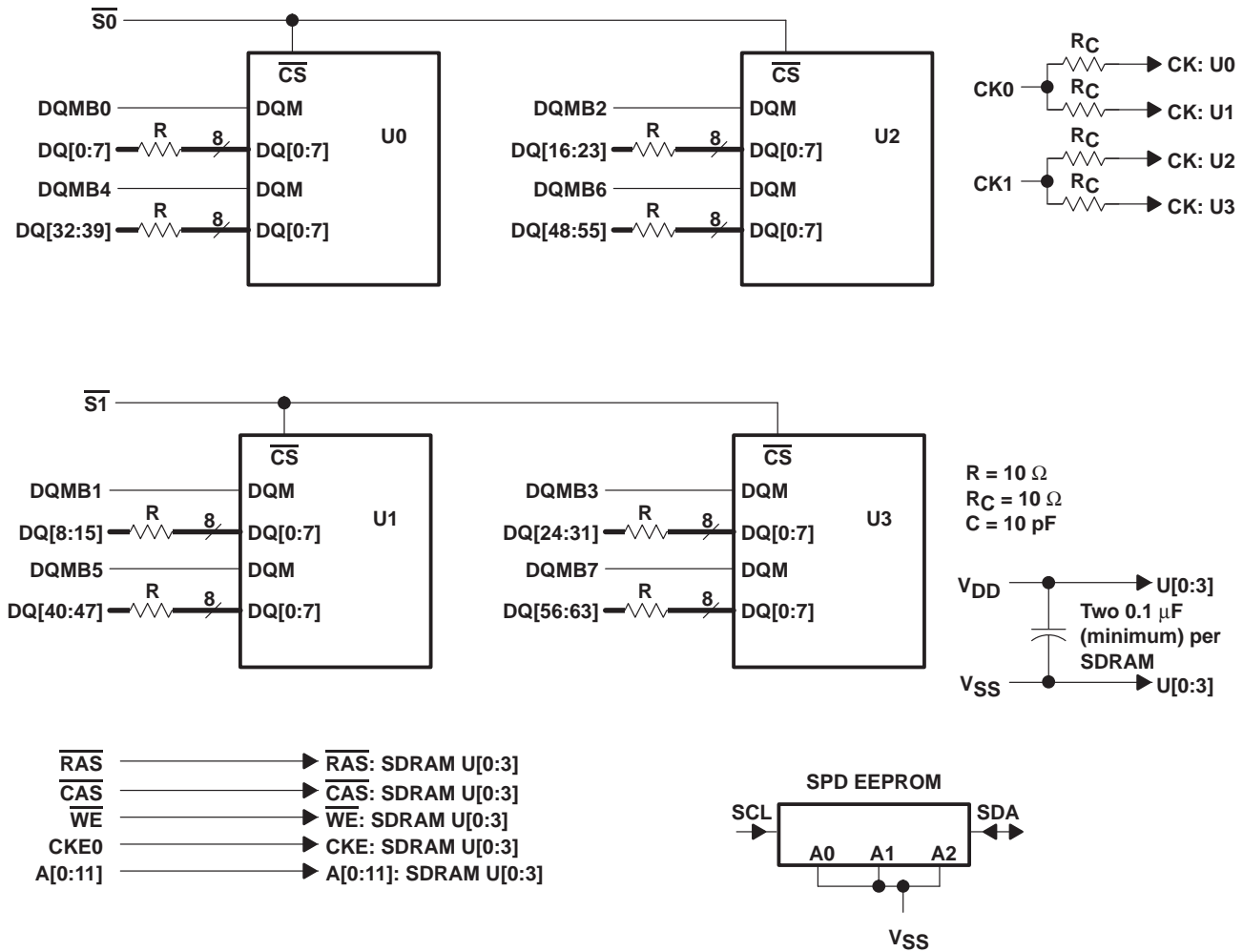
SMMS709 – APRIL 1998

small-outline dual-in-line memory module and components

The small-outline dual-in-line memory module and components include:

- PC substrate: $1,10 \pm 0,1$ mm (0.04 inch) nominal thickness
- Bypass capacitors: Multilayer ceramic
- Contact area: Nickel plate and gold plate over copper

functional block diagram for the TM4SK64KPN

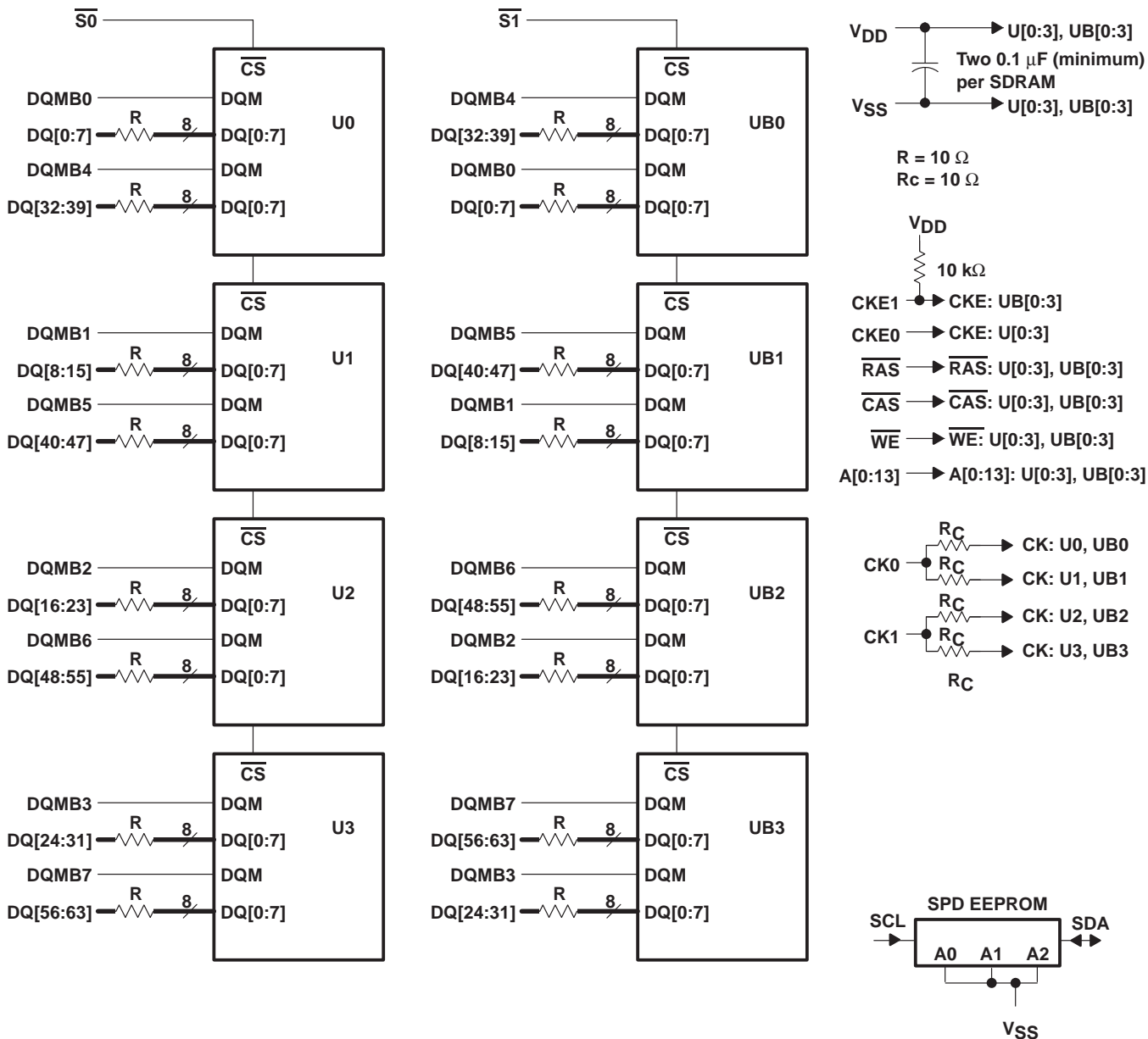


PRODUCT PREVIEW

TM4SK64KPN 4194304 BY 64-BIT
 TM8SK64KPN 8388608 BY 64-BIT
 SYNCHRONOUS DYNAMIC RAM MODULES — SODIMM

SMMS709 – APRIL 1998

functional block diagram for the TM8SK64KPN



PRODUCT PREVIEW

TM4SK64KPN 4194304 BY 64-BIT
TM8SK64KPN 8388608 BY 64-BIT
SYNCHRONOUS DYNAMIC RAM MODULES — SODIMM

SMMS709 – APRIL 1998

absolute maximum ratings over ambient temperature range (unless otherwise noted)†

Supply voltage range, V_{DD}	–0.5 V to 4.6 V
Voltage range on any pin (see Note 1)	– 0.5 V to 4.6 V
Short-circuit output current	50 mA
Power dissipation: TM4SK64KPN	4 W
TM8SK64KPN	8 W
Ambient temperature range, T_A	0°C to 70°C
Storage temperature range, T_{stg}	– 55°C to 125°C

† Stresses beyond those listed under “absolute maximum ratings” may cause permanent damage to the device. These are stress ratings only, and functional operation of the device at these or any other conditions beyond those indicated under “recommended operating conditions” is not implied. Exposure to absolute-maximum-rated conditions for extended periods may affect device reliability.

NOTE 1: All voltage values are with respect to V_{SS} .

recommended operating conditions

	MIN	NOM	MAX	UNIT
V_{DD} Supply voltage	3	3.3	3.6	V
V_{SS} Supply voltage		0		V
V_{IH} High-level input voltage	2		$V_{DD} + 0.3$	V
V_{IH-SPD} High-level input voltage for the SPD device	2		5.5	V
V_{IL} Low-level input voltage	–0.3		0.8	V
T_A Ambient temperature	0		70	°C

capacitance over recommended ranges of supply voltage and ambient temperature, $f = 1$ MHz (see Note 2)‡

PARAMETER	TMxSK64KPN		UNIT
	MIN	MAX	
$C_i(CK)$ Input capacitance, CK input	2.5	4	pF
$C_i(AC)$ Input capacitance, address and control inputs: A0–A13, \overline{RAS} , \overline{CAS} , \overline{WE}	2.5	5	pF
$C_i(CKE)$ Input capacitance, CKE input		5	pF
C_o Output capacitance	4	6.5	pF
$C_i(DQMBx)$ Input capacitance, DQMBx input	2.5	5	pF
$C_i(Sx)$ Input capacitance, \overline{Sx} input	2.5	5	pF
$C_i/o(SDA)$ Input/output capacitance, SDA input		9	pF
$C_i(SPD)$ Input capacitance, SPD inputs (except SDA)		7	pF

‡ Specifications in this table represent a single SDRAM device.

NOTE 2: $V_{DD} = 3.3$ V \pm 0.3 V. Bias on pins under test is 0 V.

PRODUCT PREVIEW



TM4SK64KPN 4194304 BY 64-BIT
TM8SK64KPN 8388608 BY 64-BIT
SYNCHRONOUS DYNAMIC RAM MODULES — SODIMM

SMMS709 – APRIL 1998

electrical characteristics over recommended ranges of supply voltage and ambient temperature (unless otherwise noted) (see Note 3)†

TMxSK64KPN

PARAMETER		TEST CONDITIONS	TMxSK64KPN-10		UNIT
			MIN	MAX	
V _{OH}	High-level output voltage	I _{OH} = -2 mA	2.4		V
V _{OL}	Low-level output voltage	I _{OL} = 2 mA		0.4	V
I _I	Input current (leakage)	0 V < V _I < V _{DD} + 0.3 V, All other pins = 0 V to V _{DD}		± 10	μA
I _O	Output current (leakage)	0 V < V _O < V _{DD} + 0.3 V, Output disabled		± 10	μA
I _{CC1}	Operating current	Burst length = 1, t _{RC} ≥ t _{RC} MIN I _{OH} /I _{OL} = 0 mA, (see Notes 4, 5, and 6)	CAS latency = 2	105	mA
			CAS latency = 3	115	
I _{CC2P}	Precharge standby current in power-down mode	CKE ≤ V _{IL} MAX, t _{CK} = 15 ns (see Note 7)		1	mA
I _{CC2PS}			CKE and CK ≤ V _{IL} MAX, t _{CK} = ∞ (see Note 8)	1	
I _{CC2N}	Precharge standby current in non-power-down mode	CKE ≥ V _{IH} MIN, t _{CK} = 15 ns (see Note 7)		40	mA
I _{CC2NS}			t _{CK} = ∞ (see Note 8)	5	
I _{CC3P}	Active standby current in power-down mode	CKE ≤ V _{IL} MAX, t _{CK} = 15 ns (see Notes 4 and 7)		5	mA
I _{CC3PS}			CKE and CK ≤ V _{IL} MAX, t _{CK} = ∞ (see Notes 4 and 8)	5	
I _{CC3N}	Active standby current in non-power-down mode	CKE ≥ V _{IH} MIN, t _{CK} = 15 ns (see Notes 4 and 7)		60	mA
I _{CC3NS}			CKE ≥ V _{IH} MIN, CK ≤ V _{IL} MAX, t _{CK} = ∞ (see Notes 4 and 8)	10	
I _{CC4}	Burst current	Page burst, I _{OH} /I _{OL} = 0 mA All banks activated, n _{CCD} = one cycle (see Notes 9 and 10)	CAS latency = 2	140	mA
			CAS latency = 3	200	
I _{CC5}	Auto-refresh current	t _{RC} ≤ t _{RC} MIN (see Notes 5 and 8)	CAS latency = 2	150	mA
			CAS latency = 3	150	
I _{CC6}	Self-refresh current	CKE ≤ V _{IL} MAX		2	mA

† Specifications in this table represent a single SDRAM device.

- NOTES:
3. All specifications apply to the device after power-up initialization. All control and address inputs must be stable and valid.
 4. Only one bank is activated.
 5. t_{RC} ≥ MIN
 6. Control and address inputs change state twice during t_{RC}.
 7. Control and address inputs change state once every 30 ns.
 8. Control and address inputs do not change state (stable).
 9. Control and address inputs change state once every cycle.
 10. Continuous burst access, n_{CCD} = 1 cycle

PRODUCT PREVIEW



TM4SK64KPN 4194304 BY 64-BIT
TM8SK64KPN 8388608 BY 64-BIT
SYNCHRONOUS DYNAMIC RAM MODULES — SODIMM

SMMS709 – APRIL 1998

ac timing requirements †

		'xSK64KPN-10		UNIT	
		MIN	MAX		
t _{CK2}	Cycle time, CK	CAS latency = 2	15	ns	
t _{CK3}	Cycle time, CK	CAS latency = 3	10	ns	
t _{CH}	Pulse duration, CK high		3	ns	
t _{CL}	Pulse duration, CK low		3	ns	
t _{AC2}	Access time, CK high to data out (see Note 11)	CAS latency = 2	7	ns	
t _{AC3}	Access time, CK high to data out (see Note 11)	CAS latency = 3	7	ns	
t _{OH}	Hold time, CK high to data out		3	ns	
t _{LZ}	Delay time, CK high to DQ in low-impedance state (see Note 12)		2	ns	
t _{HZ}	Delay time, CK high to DQ in high-impedance state (see Note 13)		10	ns	
t _{IS}	Setup time, address, control, and data input		2	ns	
t _{IH}	Hold time, address, control, and data input		1	ns	
t _{CESP}	Power down/self-refresh exit time		8	ns	
t _{RAS}	Delay time, ACTV command to DEAC or DCAB command		50	ns	
t _{RC}	Delay time, ACTV, MRS, REFR, or SLFR to ACTV, MRS, REFR, or SLFR command		80	ns	
t _{RCD}	Delay time, ACTV command to READ, READ-P, WRT, or WRT-P command (see Note 14)		30	ns	
t _{RP}	Delay time, DEAC or DCAB command to ACTV, MRS, REFR, or SLFR command		30	ns	
t _{RRD}	Delay time, ACTV command in one bank to ACTV command in the other bank		20	ns	
t _{RSA}	Delay time, MRS command to ACTV, MRS, REFR, or SLFR command		20	ns	
t _{APR}	Final data out of READ-P operation to ACTV, MRS, SLFR, or REFR command		t _{RP} – (CL–1)* t _{CK}	ns	
t _{APW}	Final data in of WRT-P operation to ACTV, MRS, SLFR, or REFR command		t _{RP} + 1 t _{CK}	ns	
t _T	Transition time		1	5	ms
t _{REF}	Refresh interval		64	ms	
n _{CCD}	Delay time, READ or WRT command to an interrupting command		1		cycles‡
n _{CDD}	Delay time, \overline{CS} low or high to input enabled or inhibited		0	0	cycles‡
n _{CLE}	Delay time, CKE high or low to CLK enabled or disabled		1	1	cycles‡
n _{CWL}	Delay time, final data in of WRT operation to READ, READ-P, WRT, or WRT-P		1		cycles‡
n _{DID}	Delay time, ENBL or MASK command to enabled or masked data in		0	0	cycles‡
n _{DOD}	Delay time, ENBL or MASK command to enabled or masked data out		2	2	cycles‡
n _{HZP2}	Delay time, DEAC or DCAB, command to DQ in high-impedance state	CAS latency = 2	2		cycles‡
n _{HZP3}	Delay time, DEAC or DCAB, command to DQ in high-impedance state	CAS latency = 3	3		cycles‡
n _{WCD}	Delay time, WRT command to first data in		0	0	cycles‡
n _{WR}	Delay time, final data in of WRT operation to DEAC or DCAB command		1		cycles‡

† All references are made to the rising transition of CK unless otherwise noted.

‡ A CK cycle can be considered as contributing to a timing requirement for those parameters defined in cycle units only when not gated by CKE (those CK cycles occurring during the time when CKE is asserted low).

NOTES: 11. t_{AC} is referenced from the rising transition of CK that precedes the data-out cycle. For example, the first data out t_{AC} is referenced from the rising transition of CK that is read latency (one cycle after the READ command). Access time is measured at output reference level 1.4 V.

12. t_{LZ} is measured from the rising transition of CK that is read latency (one cycle after the READ command).

13. t_{HZ} (max) defines the time at which the outputs are no longer driven and is not referenced to output voltage levels.

14. For read or write operations with automatic deactivate, t_{RCD} must be set to satisfy minimum t_{RAS}.

PRODUCT PREVIEW



TM4SK64KPN 4194304 BY 64-BIT
TM8SK64KPN 8388608 BY 64-BIT
SYNCHRONOUS DYNAMIC RAM MODULES — SODIMM

SMMS709 – APRIL 1998

serial presence detect

The serial presence detect (SPD) is contained in a 256-byte serial EEPROM located on the module. The SPD nonvolatile EEPROM contains various data such as module configuration, SDRAM organization, and timing parameters (see Table 1 and Table 2 below). Only the first 128 bytes are programmed by Texas Instruments, while the remaining 128 bytes are available for customer use. Programming is done through an IIC bus using the clock (SCL) and data (SDA) signals. All Texas Instruments modules comply with the current JEDEC SPD Standard. See the Texas Instruments *Serial Presence Detect Technical Reference* (literature number SMMU001) for further details.

Table 1 and Table 2 list the SPD contents as follow:

Table 1—TM4SK64KPN

Table 2—TM8SK64KPN

Table 1. Serial Presence Detect Data for the TM4SK64KPN

BYTE NO.	DESCRIPTION OF FUNCTION	TM4SK64KPN-10	
		ITEM	DATA
0	Defines number of bytes written into serial memory during module manufacturing	128 bytes	80h
1	Total number of bytes of SPD memory device	256 bytes	08h
2	Fundamental memory type (FPM, EDO, SDRAM, . . .)	SDRAM	04h
3	Number of row addresses on this assembly	12	0Ch
4	Number of column addresses on this assembly	8	08h
5	Number of module rows on this assembly	1 bank	01h
6	Data width of this assembly	64 bits	40h
7	Data width continuation		00h
8	Voltage interface standard of this assembly	LVTTTL	01h
9	SDRAM cycle time at maximum supported CAS latency (CL), CL = X	t _{CK} = 10 ns	A0h
10	SDRAM access from clock at CL = X	t _{AC} = 7 ns	70h
11	SODIMM configuration type (non-parity, parity, error correcting code [ECC])	Non-Parity	00h
12	Refresh rate/type	15.6 μs/ self-refresh	80h
13	SDRAM width, primary DRAM	x16	10h
14	Error-checking SDRAM data width	N/A	00h
15	Minimum clock delay, back-to-back random column addresses	1 CK cycle	01h
16	Burst lengths supported	1, 2, 4, and 8	0Fh
17	Number of banks on each SDRAM device	4 banks	04h
18	CAS latencies supported	2, 3	06h
19	CS latency	0	01h
20	Write latency	0	01h
21	SDRAM module attributes	Non-buffered/ Non-registered	00h
22	SDRAM device attributes: general	V _{DD} tolerance = (± 10%), Burst read/write, precharge all, auto precharge	0Eh
23	Minimum clock cycle time at CL = X – 1	t _{CK} = 15 ns	F0h

PRODUCT PREVIEW



TM4SK64KPN 4194304 BY 64-BIT
TM8SK64KPN 8388608 BY 64-BIT
SYNCHRONOUS DYNAMIC RAM MODULES — SODIMM

SMMS709 – APRIL 1998

serial presence detect (continued)

Table 1. Serial Presence Detect Data for the TM4SK64KPN (Continued)

BYTE NO.	DESCRIPTION OF FUNCTION	TM4SK64KPN-10	
		ITEM	DATA
24	Maximum data-access time from clock at CL = X – 1	t _{AC} = 7 ns	70h
25	Minimum clock cycle time at CL = X – 2	N/A	00h
26	Maximum data-access time from clock at CL = X – 2	N/A	00h
27	Minimum row-precharge time	t _{RP} = 30 ns	1Eh
28	Minimum row-active to row-active delay	t _{RRD} = 20 ns	14h
29	Minimum RASx-to-CASx delay	t _{RCD} = 30 ns	1Eh
30	Minimum RASx pulse width	t _{RAS} = 50 ns	32h
31	Density of each bank on module	32M Bytes	08h
32	Command and address signal input setup time	t _{IS} = 2 ns	20h
33	Command and address signal input hold time	t _{IH} = 1 ns	10h
34	Data signal input setup time	t _{IS} = 2 ns	20h
35	Data signal input hold time	t _{IH} = 1 ns	10h
36–61	Superset features (may be used in the future)		
62	SPD revision	Rev. 1.2	12h
63	Checksum for byte 0–62	8	08h
64–71	Manufacturer's JEDEC ID code per JEP – 106E	97h	9700...00h
72	Manufacturing location†	TBD	
73	Manufacturer's part number	T	54h
74	Manufacturer's part number	M	4Dh
75	Manufacturer's part number	4	34h
76	Manufacturer's part number	S	53h
77	Manufacturer's part number	K	4Bh
78	Manufacturer's part number	6	36h
79	Manufacturer's part number	4	34h
80	Manufacturer's part number	K	4Bh
81	Manufacturer's part number	P	50h
82	Manufacturer's part number	N	4Eh
83	Manufacturer's part number	–	2Dh
84	Manufacturer's part number	1	31h
85	Manufacturer's part number	0	30h
86–90	Manufacturer's part number	SPACE	20h
91	Die revision code†	TBD	
92	PCB revision code†	TBD	
93–94	Manufacturing date†	TBD	
95–98	Assembly serial number†	TBD	
99–125	Manufacturer-specific data†	TBD	
126	Clock frequency	66 MHz	66h
127	SDRAM component and clock interconnection details	199	C7h
128–166	System-integrator-specific data‡	TBD	
167–255	Open		

† TBD indicates values are determined at manufacturing time and are module-dependent.

‡ These TBD values are determined and programmed by the customer (optional).

PRODUCT PREVIEW



TM4SK64KPN 4194304 BY 64-BIT
TM8SK64KPN 8388608 BY 64-BIT
SYNCHRONOUS DYNAMIC RAM MODULES — SODIMM

SMMS709 – APRIL 1998

serial presence detect (continued)

Table 2. Serial Presence Detect Data for the TM8SK64KPN

BYTE NO.	DESCRIPTION OF FUNCTION	TM8SK64KPN-10	
		ITEM	DATA
0	Defines number of bytes written into serial memory during module manufacturing	128 bytes	80h
1	Total number of bytes of SPD memory device	256 bytes	08h
2	Fundamental memory type (FPM, EDO, SDRAM, . . .)	SDRAM	04h
3	Number of row addresses on this assembly	12	0Ch
4	Number of column addresses on this assembly	8	08h
5	Number of module rows on this assembly	2 banks	02h
6	Data width of this assembly	64 bits	40h
7	Data width continuation		00h
8	Voltage interface standard of this assembly	LVTTTL	01h
9	SDRAM cycle time at maximum supported CAS latency (CL), CL = X	t _{CK} = 10 ns	A0h
10	SDRAM access from clock at CL = X	t _{AC} = 7 ns	70h
11	SODIMM configuration type (non-parity, parity, error correcting code [ECC])	Non-Parity	00h
12	Refresh rate/type	15.6 μs/ self-refresh	80h
13	SDRAM width, primary DRAM	x16	10h
14	Error-checking SDRAM data width	N/A	00h
15	Minimum clock delay, back-to-back random column addresses	1 CK cycle	01h
16	Burst lengths supported	1, 2, 4, and 8	0Fh
17	Number of banks on each SDRAM device	4 banks	04h
18	CAS latencies supported	2, 3	06h
19	CS latency	0	01h
20	Write latency	0	01h
21	SDRAM module attributes	Non-buffered/ Non-registered	00h
22	SDRAM device attributes: general	V _{DD} tolerance = (± 10%), Burst read / write, precharge all, auto precharge	0Eh
23	Minimum clock cycle time at CL = X – 1	t _{CK} = 15 ns	F0h
24	Maximum data-access time from clock at CL = X – 1	t _{AC} = 7 ns	70h
25	Minimum clock cycle time at CL = X – 2	N/A	00h
26	Maximum data-access time from clock at CL = X – 2	N/A	00h

PRODUCT PREVIEW



TM4SK64KPN 4194304 BY 64-BIT
TM8SK64KPN 8388608 BY 64-BIT
SYNCHRONOUS DYNAMIC RAM MODULES — SODIMM

SMMS709 – APRIL 1998

serial presence detect (continued)

Table 2. Serial Presence Detect Data for the TM8SK64KPN (Continued)

BYTE NO.	DESCRIPTION OF FUNCTION	TM8SK64KPN-10	
		ITEM	DATA
27	Minimum row-precharge time	t _{RP} = 30 ns	1Eh
28	Minimum row-active to row-active delay	t _{RRD} = 20 ns	14h
29	Minimum $\overline{\text{RAS}}$ -to- $\overline{\text{CAS}}$ delay	t _{RCD} = 30 ns	1Eh
30	Minimum $\overline{\text{RAS}}$ pulse width	t _{RAS} = 50 ns	32h
31	Density of each bank on module	32M Bytes	08h
32	Command and address signal input setup time	t _{IS} = 2 ns	20h
33	Command and address signal input hold time	t _{IH} = 1 ns	10h
34	Data signal input setup time	t _{IS} = 2 ns	20h
35	Data signal input hold time	t _{IH} = 1 ns	10h
36–61	Superset features (may be used in the future)		
62	SPD revision	Rev. 1.2	12h
63	Checksum for byte 0–62	9	09h
64–71	Manufacturer's JEDEC ID code per JEP–106E	97h	9700...00h
72	Manufacturing location†	TBD	
73	Manufacturer's part number	T	54h
74	Manufacturer's part number	M	4Dh
75	Manufacturer's part number	8	38h
76	Manufacturer's part number	S	53h
77	Manufacturer's part number	K	4Bh
78	Manufacturer's part number	6	36h
79	Manufacturer's part number	4	34h
80	Manufacturer's part number	K	4Bh
81	Manufacturer's part number	P	50h
82	Manufacturer's part number	N	4Eh
83	Manufacturer's part number	–	2Dh
84	Manufacturer's part number	1	31h
85	Manufacturer's part number	0	30h
86–90	Manufacturer's part number	SPACE	20h
91	Die revision code†	TBD	
92	PCB revision code†	TBD	
93–94	Manufacturing date†	TBD	
95–98	Assembly serial number†	TBD	
99–125	Manufacturer-specific data†	TBD	
126	Clock frequency	66 MHz	66h
127	SDRAM component and clock interconnection details	199	C7h
128–166	System-integrator-specific data‡	TBD	
167–255	Open		

† TBD indicates values are determined at manufacturing time and are module-dependent.

‡ These TBD values are determined and programmed by the customer (optional).

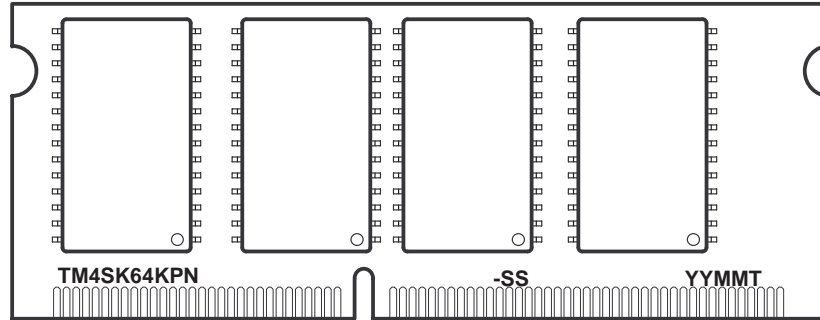
PRODUCT PREVIEW



**TM4SK64KPN 4194304 BY 64-BIT
TM8SK64KPN 8388608 BY 64-BIT
SYNCHRONOUS DYNAMIC RAM MODULES — SODIMM**

SMMS709 – APRIL 1998

device symbolization (TM4SK64KPN illustrated)



YY = Year Code
MM = Month Code
T = Assembly Site Code
-SS = Speed Code

NOTE A: Location of symbolization may vary.

PRODUCT PREVIEW

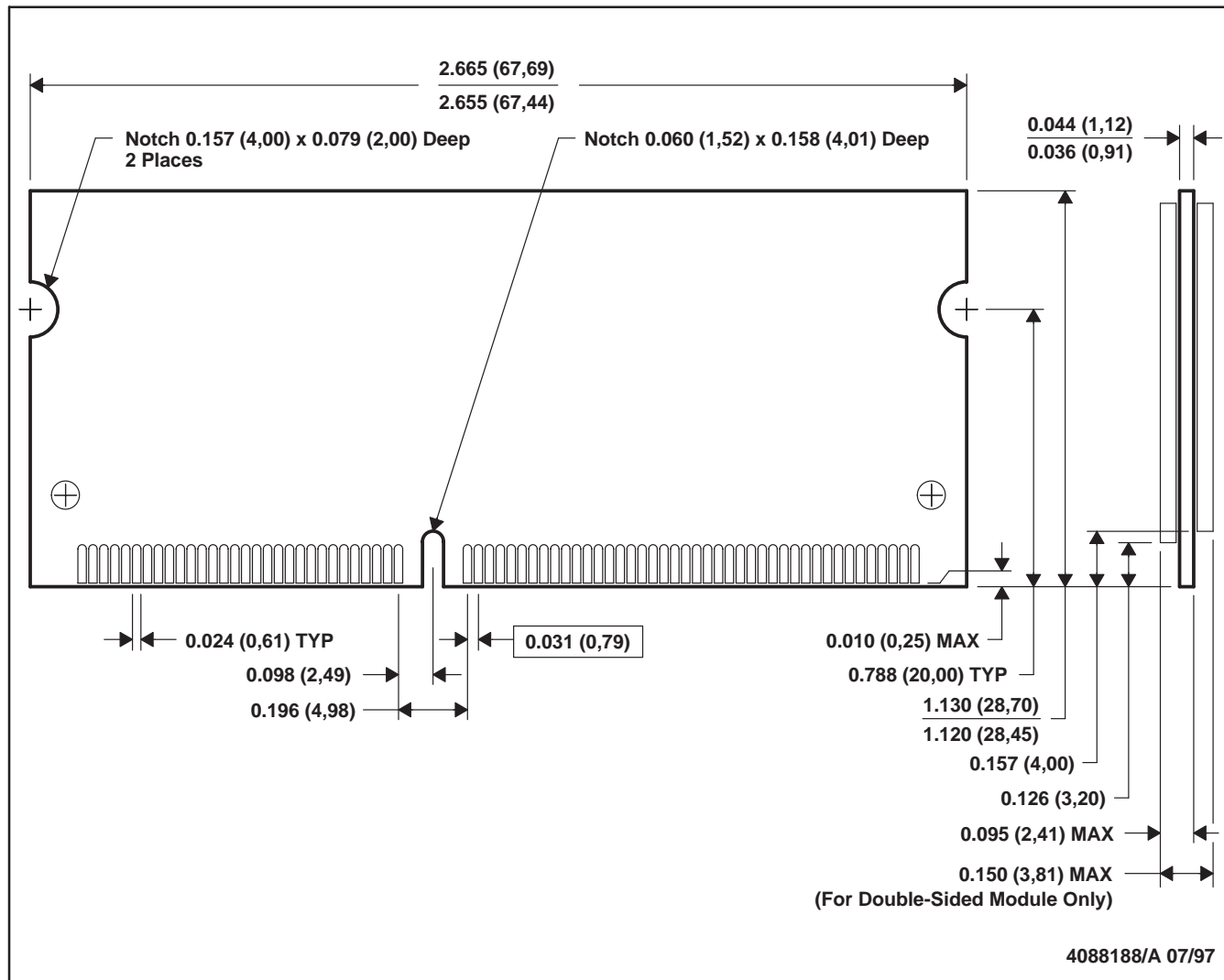
TM4SK64KPN 4194304 BY 64-BIT
TM8SK64KPN 8388608 BY 64-BIT
SYNCHRONOUS DYNAMIC RAM MODULES — SODIMM

SMMS709 – APRIL 1998

MECHANICAL DATA

BDQ (R-SODIMM-N144)

SMALL OUTLINE DUAL IN-LINE MEMORY MODULE



- NOTES: A. All linear dimensions are in inches (millimeters).
 B. This drawing is subject to change without notice.
 C. Falls within JEDEC MO-190

PRODUCT PREVIEW



IMPORTANT NOTICE

Texas Instruments Incorporated and its subsidiaries (TI) reserve the right to make corrections, modifications, enhancements, improvements, and other changes to its products and services at any time and to discontinue any product or service without notice. Customers should obtain the latest relevant information before placing orders and should verify that such information is current and complete. All products are sold subject to TI's terms and conditions of sale supplied at the time of order acknowledgment.

TI warrants performance of its hardware products to the specifications applicable at the time of sale in accordance with TI's standard warranty. Testing and other quality control techniques are used to the extent TI deems necessary to support this warranty. Except where mandated by government requirements, testing of all parameters of each product is not necessarily performed.

TI assumes no liability for applications assistance or customer product design. Customers are responsible for their products and applications using TI components. To minimize the risks associated with customer products and applications, customers should provide adequate design and operating safeguards.

TI does not warrant or represent that any license, either express or implied, is granted under any TI patent right, copyright, mask work right, or other TI intellectual property right relating to any combination, machine, or process in which TI products or services are used. Information published by TI regarding third-party products or services does not constitute a license from TI to use such products or services or a warranty or endorsement thereof. Use of such information may require a license from a third party under the patents or other intellectual property of the third party, or a license from TI under the patents or other intellectual property of TI.

Reproduction of TI information in TI data books or data sheets is permissible only if reproduction is without alteration and is accompanied by all associated warranties, conditions, limitations, and notices. Reproduction of this information with alteration is an unfair and deceptive business practice. TI is not responsible or liable for such altered documentation. Information of third parties may be subject to additional restrictions.

Resale of TI products or services with statements different from or beyond the parameters stated by TI for that product or service voids all express and any implied warranties for the associated TI product or service and is an unfair and deceptive business practice. TI is not responsible or liable for any such statements.

TI products are not authorized for use in safety-critical applications (such as life support) where a failure of the TI product would reasonably be expected to cause severe personal injury or death, unless officers of the parties have executed an agreement specifically governing such use. Buyers represent that they have all necessary expertise in the safety and regulatory ramifications of their applications, and acknowledge and agree that they are solely responsible for all legal, regulatory and safety-related requirements concerning their products and any use of TI products in such safety-critical applications, notwithstanding any applications-related information or support that may be provided by TI. Further, Buyers must fully indemnify TI and its representatives against any damages arising out of the use of TI products in such safety-critical applications.

TI products are neither designed nor intended for use in military/aerospace applications or environments unless the TI products are specifically designated by TI as military-grade or "enhanced plastic." Only products designated by TI as military-grade meet military specifications. Buyers acknowledge and agree that any such use of TI products which TI has not designated as military-grade is solely at the Buyer's risk, and that they are solely responsible for compliance with all legal and regulatory requirements in connection with such use.

TI products are neither designed nor intended for use in automotive applications or environments unless the specific TI products are designated by TI as compliant with ISO/TS 16949 requirements. Buyers acknowledge and agree that, if they use any non-designated products in automotive applications, TI will not be responsible for any failure to meet such requirements.

Following are URLs where you can obtain information on other Texas Instruments products and application solutions:

Products

Amplifiers	amplifier.ti.com
Data Converters	dataconverter.ti.com
DSP	dsp.ti.com
Clocks and Timers	www.ti.com/clocks
Interface	interface.ti.com
Logic	logic.ti.com
Power Mgmt	power.ti.com
Microcontrollers	microcontroller.ti.com
RFID	www.ti-rfid.com
RF/IF and ZigBee® Solutions	www.ti.com/lprf

Applications

Audio	www.ti.com/audio
Automotive	www.ti.com/automotive
Broadband	www.ti.com/broadband
Digital Control	www.ti.com/digitalcontrol
Medical	www.ti.com/medical
Military	www.ti.com/military
Optical Networking	www.ti.com/opticalnetwork
Security	www.ti.com/security
Telephony	www.ti.com/telephony
Video & Imaging	www.ti.com/video
Wireless	www.ti.com/wireless

Mailing Address: Texas Instruments, Post Office Box 655303, Dallas, Texas 75265
Copyright © 2008, Texas Instruments Incorporated