

FEATURES

- ※Vertical and right angle types
- ※Miniature size with stainless steel cover
- ※Low profile (3.0mm)

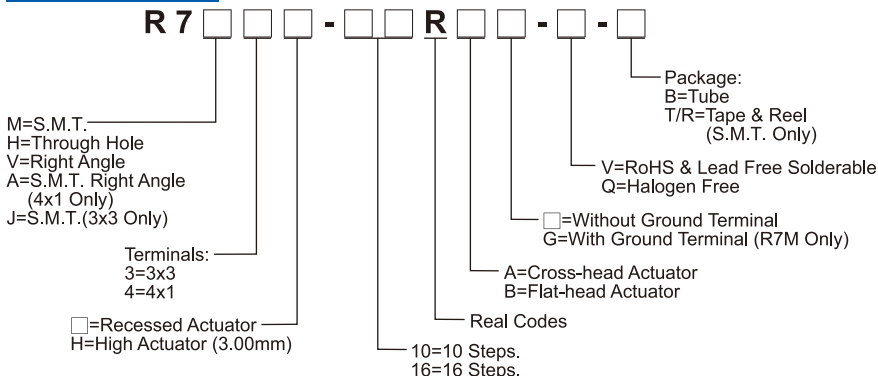
APPLICATION

- ※Instrumentation
- ※Industrial automation
- ※Building & Home automation

SPECIFICATION

| | |
|-----------------------|--------------------|
| Contact Rating | 25mA, 24V DC |
| Contact Resistance | 100mΩ max. |
| Insulation Resistance | 100MΩ min. 100V DC |
| Dielectric Strength | 250V AC/1 minute |
| Operating Force | 200gf·cm max. |
| Operating Life | 10, 000 Steps |
| Operating Temp. | -30°C ~ +80°C |
| Storage Temp. | -40°C ~ +85°C |

HOW TO ORDER

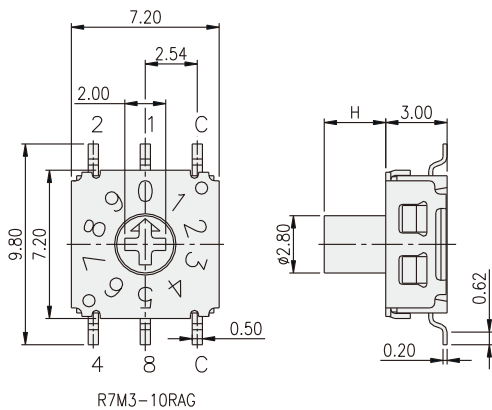


PACKAGE

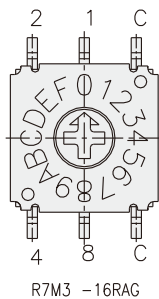
- <Tube>
R7H, R7M: 63 pcs
R7V: 60 pcs
- <Tape & Reel>
R7M*: 1450 pcs
R7M*H: 850 pcs
R7A: 750 pcs
R7A4H: 750 pcs
R7J: 1450 pcs

ROTARY CODED SWITCH

R7M3-10RAG



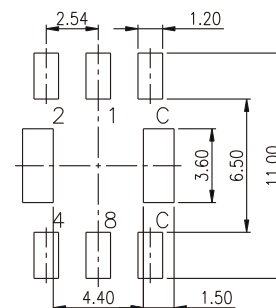
R7M3-10RAG



R7M3-16RAG

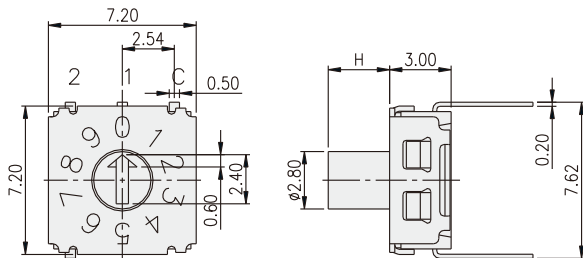
| | | ○ ON ● OFF | | | |
|------|----------|---------------|---|---|---|
| TYPE | POSITION | CODE | | | |
| | | 1 | 2 | 4 | 8 |
| 10R | 0 | ● | ● | ● | ● |
| | 1 | ○ | ● | ● | ● |
| | 2 | ● | ○ | ● | ● |
| | 3 | ○ | ○ | ● | ● |
| | 4 | ● | ● | ○ | ● |
| | 5 | ○ | ○ | ○ | ● |
| | 6 | ● | ○ | ○ | ● |
| | 7 | ○ | ○ | ○ | ● |
| | 8 | ● | ● | ● | ○ |
| | 9 | ○ | ○ | ● | ○ |
| 16R | A | ● | ○ | ● | ○ |
| | B | ○ | ○ | ● | ○ |
| | C | ● | ○ | ○ | ○ |
| | D | ○ | ● | ○ | ○ |
| | E | ● | ○ | ○ | ○ |
| | F | ○ | ○ | ○ | ○ |

| PART NO. | H |
|-------------|------|
| R7M3-10RAG | 0 |
| R7M3-16RAG | 0 |
| R7M3H-10RAG | 3.00 |
| R7M3H-16RAG | 3.00 |

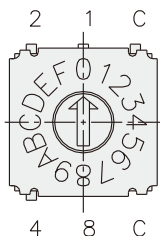


P.C.B. LAYOUT

R7H3



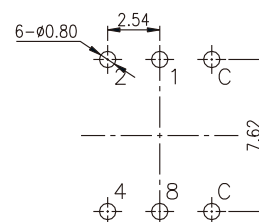
R7H3-10RB



R7H3-16RB

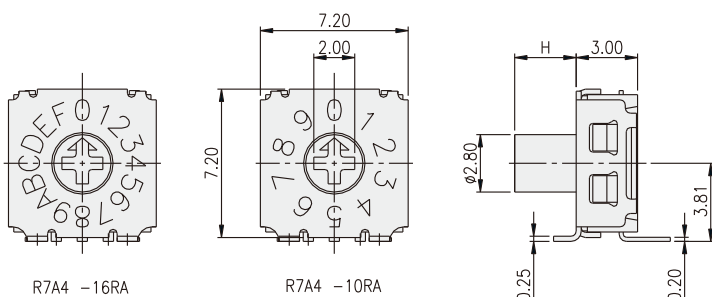
| PART NO. | H |
|------------|------|
| R7H3-10RB | 0 |
| R7H3-16RB | 0 |
| R7H3H-10RB | 3.00 |
| R7H3H-16RB | 3.00 |

| TYPE | POSITION | CODE | | | |
|------|----------|------|---|---|---|
| | | 1 | 2 | 4 | 8 |
| 10R | 0 | ● | ● | ● | ● |
| | 1 | ○ | ○ | ● | ● |
| | 2 | ● | ○ | ● | ● |
| | 3 | ○ | ○ | ● | ● |
| | 4 | ● | ● | ○ | ● |
| | 5 | ○ | ○ | ○ | ● |
| | 6 | ● | ○ | ○ | ● |
| | 7 | ○ | ○ | ○ | ● |
| | 8 | ● | ● | ● | ○ |
| | 9 | ○ | ○ | ○ | ○ |
| 16R | A | ● | ○ | ● | ○ |
| | B | ○ | ○ | ● | ○ |
| | C | ● | ○ | ○ | ○ |
| | D | ○ | ● | ○ | ○ |
| | E | ● | ○ | ○ | ○ |
| | F | ○ | ○ | ○ | ○ |



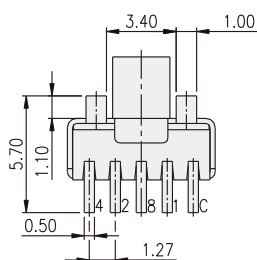
P.C.B. LAYOUT

R7A4



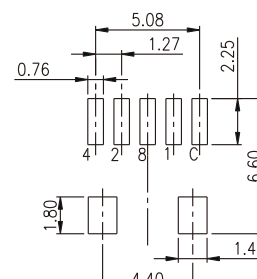
R7A4-16RA

R7A4-10RA



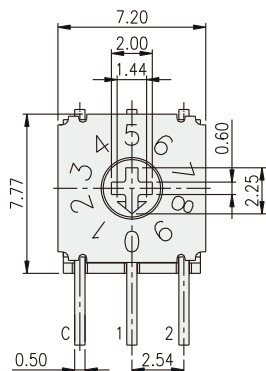
| PART NO. | H |
|------------|------|
| R7A4-10RA | 0 |
| R7A4-16RA | 0 |
| R7A4H-10RA | 3.00 |
| R7A4H-16RA | 3.00 |

| TYPE | POSITION | CODE | | | |
|------|----------|------|---|---|---|
| | | 1 | 2 | 4 | 8 |
| 10R | 0 | ● | ● | ● | ● |
| | 1 | ○ | ○ | ● | ● |
| | 2 | ● | ○ | ● | ● |
| | 3 | ○ | ○ | ● | ● |
| | 4 | ● | ● | ○ | ● |
| | 5 | ○ | ○ | ○ | ● |
| | 6 | ● | ○ | ○ | ● |
| | 7 | ○ | ○ | ○ | ● |
| | 8 | ● | ● | ● | ○ |
| | 9 | ○ | ○ | ○ | ○ |
| 16R | A | ● | ○ | ● | ○ |
| | B | ○ | ○ | ● | ○ |
| | C | ● | ○ | ○ | ○ |
| | D | ○ | ● | ○ | ○ |
| | E | ● | ○ | ○ | ○ |
| | F | ○ | ○ | ○ | ○ |

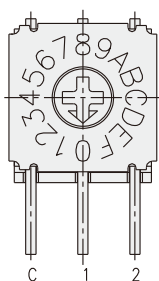
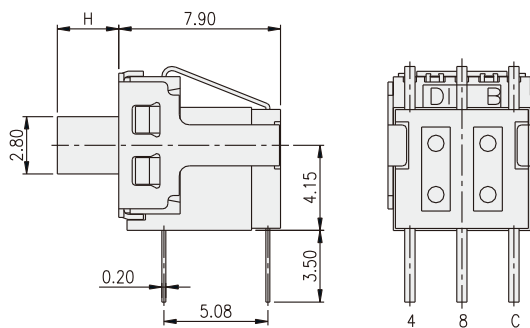


P.C.B. LAYOUT

R7V3



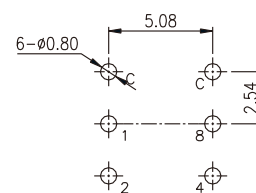
R7V3 -10RA



R7V3 -16RA

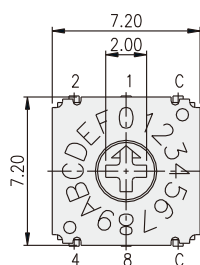
| PART NO. | H |
|------------|------|
| R7V3-10RA | 0 |
| R7V3-16RA | 0 |
| R7V3H-10RA | 3.00 |
| R7V3H-16RA | 3.00 |

| TYPE | POSITION | CODE | | | |
|------|----------|------|---|---|---|
| | | 1 | 2 | 4 | 8 |
| 10R | 0 | ● | ● | ● | ● |
| | 1 | ○ | ○ | ● | ● |
| | 2 | ● | ○ | ● | ● |
| | 3 | ○ | ○ | ● | ● |
| | 4 | ● | ○ | ○ | ● |
| | 5 | ○ | ● | ○ | ● |
| | 6 | ● | ○ | ○ | ● |
| | 7 | ○ | ○ | ○ | ● |
| | 8 | ● | ○ | ○ | ○ |
| | 9 | ○ | ● | ○ | ○ |
| 16R | A | ● | ○ | ● | ○ |
| | B | ○ | ○ | ● | ○ |
| | C | ● | ● | ○ | ○ |
| | D | ○ | ● | ○ | ○ |
| | E | ● | ○ | ○ | ○ |
| | F | ○ | ○ | ○ | ○ |

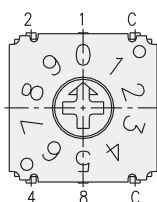
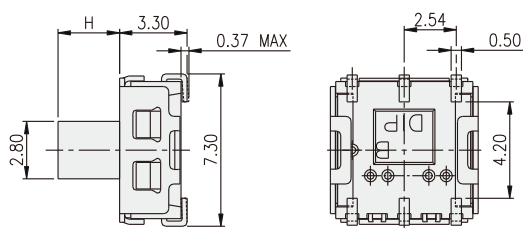


P.C.B. LAYOUT

R7J3



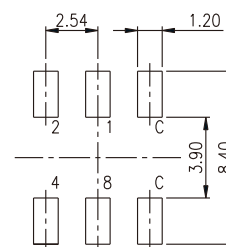
R7J3-16RA



R7J3-10RA

| PART NO. | H |
|------------|------|
| R7J3-10RA | 0 |
| R7J3-16RA | 0 |
| R7J3H-10RA | 3.00 |
| R7J3H-16RA | 3.00 |

| TYPE | POSITION | CODE | | | |
|------|----------|------|---|---|---|
| | | 1 | 2 | 4 | 8 |
| 10R | 0 | ● | ● | ● | ● |
| | 1 | ○ | ○ | ● | ● |
| | 2 | ● | ○ | ● | ● |
| | 3 | ○ | ○ | ● | ● |
| | 4 | ● | ○ | ○ | ● |
| | 5 | ○ | ● | ○ | ● |
| | 6 | ● | ○ | ○ | ● |
| | 7 | ○ | ○ | ○ | ● |
| | 8 | ● | ○ | ○ | ○ |
| | 9 | ○ | ● | ○ | ○ |
| 16R | A | ● | ○ | ● | ○ |
| | B | ○ | ○ | ● | ○ |
| | C | ● | ● | ○ | ○ |
| | D | ○ | ○ | ○ | ○ |
| | E | ● | ○ | ○ | ○ |
| | F | ○ | ○ | ○ | ○ |



P.C.B. LAYOUT

ROTARY CODED SWITCH