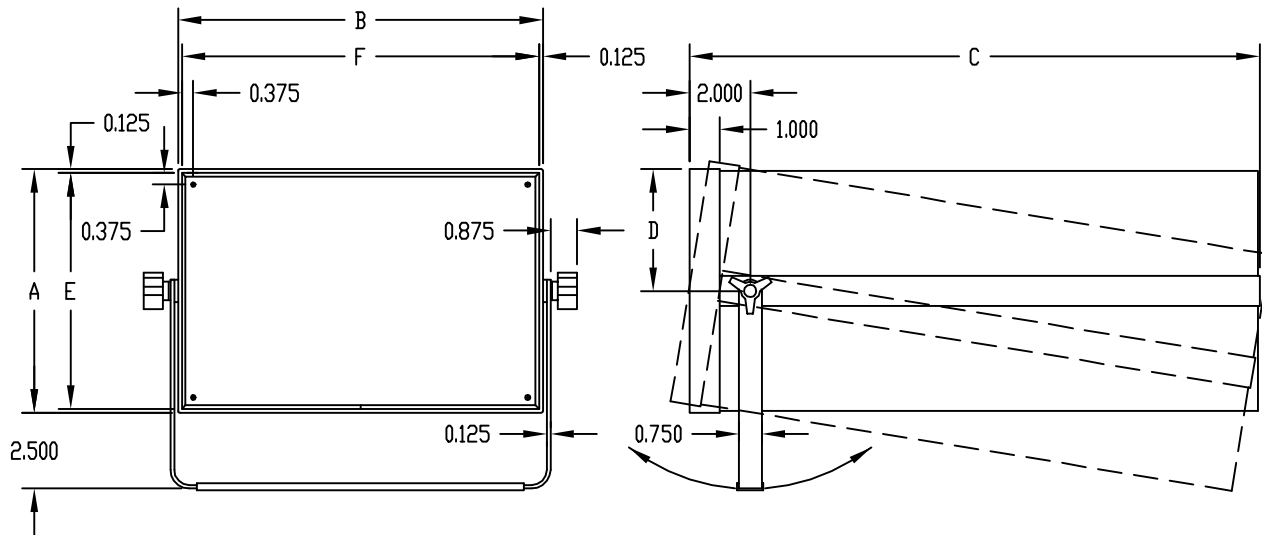
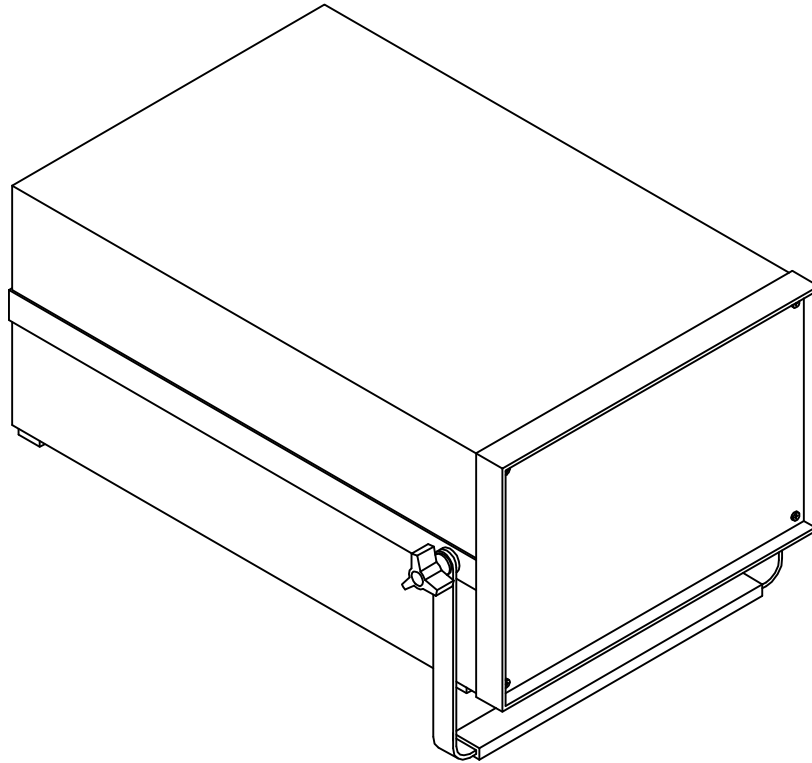


PART NAME

TR SERIES

PART No.

TR-6100 THRU TR-6103



**FINISH:**

FRAME AND BAIL \_\_\_\_\_ WHITE TEXTURED  
 FRONT PANEL AND COVERS \_\_\_\_\_ ROYAL BLUE TEXTURED  
 BAIL, TUBING, FEET AND KNOBS \_\_\_\_\_ BLACK  
 BAIL WASHERS \_\_\_\_\_ WHITE TEFLON

**MATERIAL:**

FRONT PANEL \_\_\_\_\_ 0.090 ALUMINUM  
 CORNER GUSSETS \_\_\_\_\_ 0.060 ALUMINUM  
 COVERS \_\_\_\_\_ 0.050 ALUMINUM  
 FRAME \_\_\_\_\_ EXTRUDED ALUMINUM  
 BAIL \_\_\_\_\_ EXTRUDED ALUMINUM  
 BAIL TUBING \_\_\_\_\_ NEOPRENE  
 FEET \_\_\_\_\_ SELF-ADHESIVE RUBBER  
 KNOBS \_\_\_\_\_ PLASTIC

**NOTES:**

FRONT PANEL RECESSED 0.375.

| PART No. | OVERALL |        |        |       | PANEL SPACE |        | PANEL |        | INSIDE CLEARANCE |        |        |
|----------|---------|--------|--------|-------|-------------|--------|-------|--------|------------------|--------|--------|
|          | A       | B      | C      | D     | E           | F      | G     | H      | HEIGHT           | WIDTH  | DEPTH  |
| TR-6100  | 3.500   | 8.312  | 10.750 | 1.750 | 3.250       | 8.046  | 3.187 | 7.984  | 3.000            | 7.796  | 10.000 |
| TR-6101  | 5.250   | 8.312  | 13.250 | 2.625 | 5.000       | 8.046  | 4.937 | 7.984  | 4.750            | 7.796  | 12.500 |
| TR-6102  | 7.000   | 11.062 | 13.250 | 3.500 | 6.750       | 10.828 | 6.687 | 10.765 | 6.500            | 10.578 | 12.500 |
| TR-6103  | 8.000   | 12.000 | 18.750 | 4.000 | 7.750       | 11.750 | 7.687 | 11.687 | 7.500            | 11.500 | 18.000 |