

PLEASE CHECK WWW.MOLEX.COM FOR LATEST PART INFORMATION

Part Number: [130179-0739](#)
Status: **Active**
Overview: [Aero-Motive® Replacement Parts and Accessories](#)
Description: Spring Cassette Assembly for 20E

Documents:

[RoHS Certificate of Compliance \(PDF\)](#)

General

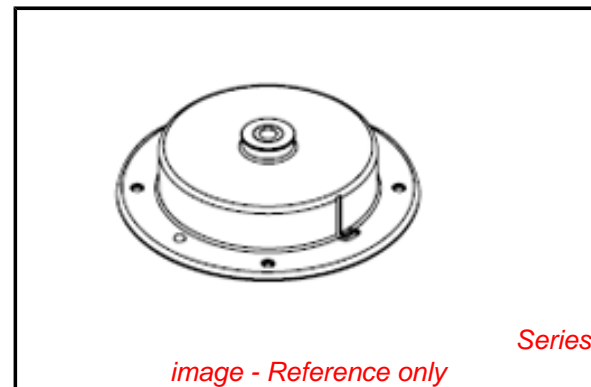
Product Family	Tool Supports
Series	130172
Cable Length	N/A
Duty	N/A
Overview	Aero-Motive® Replacement Parts and Accessories
Product Name	Aero-Motive®
Type	Replacement Part, Spring Assembly
UPC	78172500113
Woodhead	Yes

Physical

Cable Diameter	N/A
Cable Movement	N/A
Drum Lock	None
Mounting Style	N/A
Packaging Type	Carton
Travel Distance	N/A
Weight Range	N/A
Wire/Cable Type	N/A

Material Info

Old Part Number	31659-20
-----------------	----------



EU RoHS

RoHS Compliance

Not Required

REACH SVHC

Not Reviewed

Low-Halogen Status

Not Reviewed

Need more information on product environmental compliance?

Email productcompliance@molex.com
 For a multiple part number RoHS Certificate of Compliance, [click here](#)

Please visit the [Contact Us](#) section for any non-product compliance questions.

China RoHS

Search Parts in this Series

[130172Series](#)