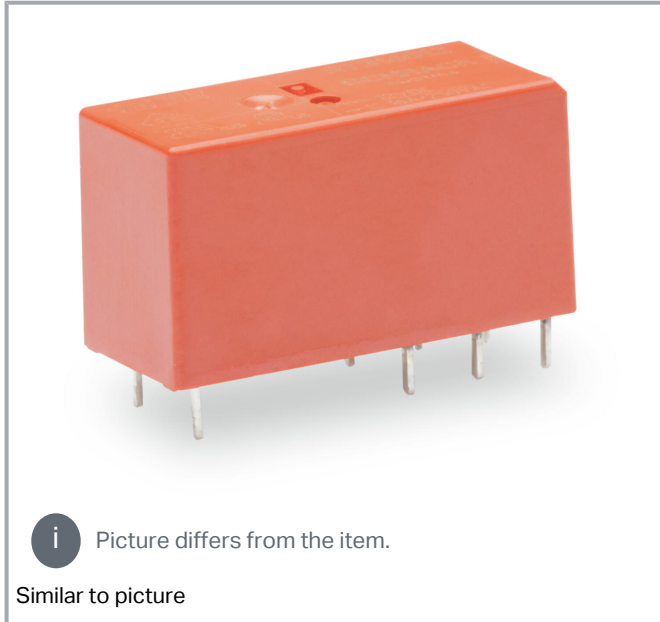


**Data sheet | Item number: 788-162**

Basic relay; Nominal input voltage: 60 VDC; 1 changeover contact; Limiting continuous current: 16 A; Module width: 13 mm; Module height: 15 mm

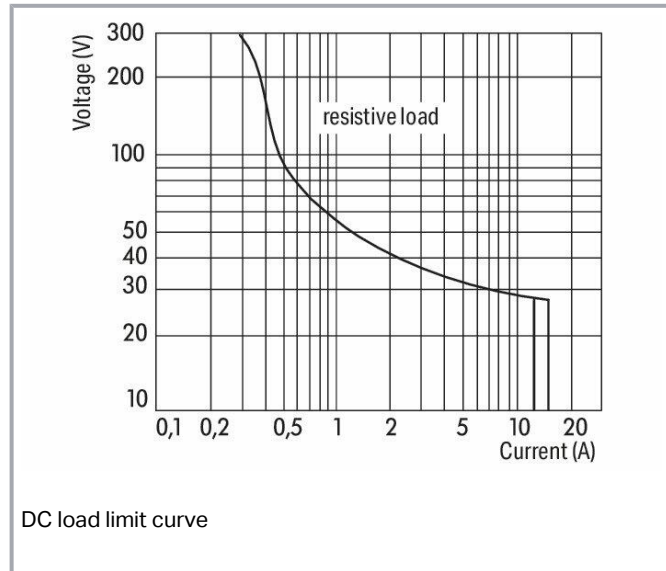
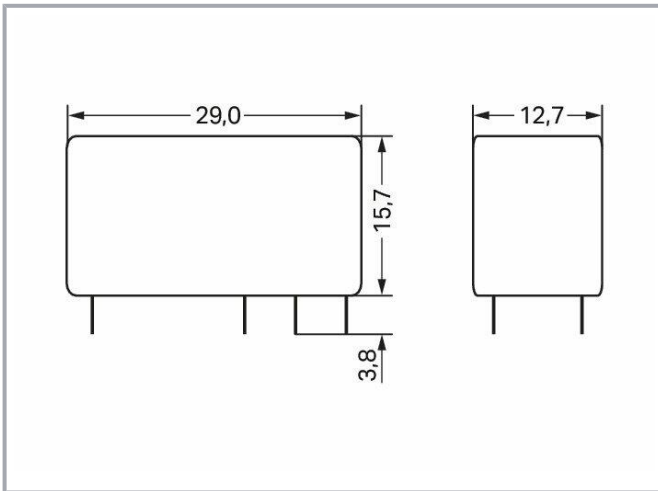
[www.wago.com/788-162](http://www.wago.com/788-162)



Subject to changes. Please also observe the further product documentation!

WAGO Kontakttechnik GmbH & Co. KG  
Hansastr. 27  
32423 Minden  
Phone: +49571 887-0 | Fax: +49571 887-169  
Email: [info.de@wago.com](mailto:info.de@wago.com) | Web: [www.wago.com](http://www.wago.com)

Do you have any questions about our products?  
We are always happy to take your call at +49 (571) 887-44222.



## Data

### Technical data

### Control circuit

Nominal input voltage  $U_N$  DC 60 V

### Load circuit

Number of changeover/switchover contacts	1
Contact material (relay)	AgNi 90/10
Limiting continuous current	16 A
Inrush current (resistive) (max.)	(AC) 30 A / 4 s
Switching voltage (max.)	AC 250 V
Switching power (resistive) (max.)	AC 4000 VA; DC (see load limit curve)
Switching capacity	AC-15: 6 A / AC 250 V; DC-13: 2 A / DC 24 V
Recommended minimum load	12 V / 10 mA
Pull-in time (typ.)	8 ms
Drop-out time (typ.)	6 ms
Bounce time (typ.)	6 ms
Electrical life (NO; resistive load; 23 °C)	$30 \times 10^3$ switching operations
Mechanical life	$30 \times 10^6$ switching operations
Switching frequency with/without load (max.)	$6 \text{ min}^{-1}$ / $1200 \text{ min}^{-1}$

Subject to changes. Please also observe the further product documentation!



## Safety and protection

Dielectric strength, control/load circuit (AC, 1 min)	5 kVrms
Dielectric strength, open contact (AC, 1 min)	1 kVrms
Protection type	IP40

## Physical data

Width	12.7 mm / 0.5 inch
Height from the surface	15.7 mm / 0.618 inch
Depth	29 mm / 1.142 inch

## Mechanical data

Mounting type	Pluggable module
---------------	------------------

## Material data

Weight	14 g
--------	------

## Environmental requirements

Surrounding air temperature (operation at $U_N$ )	-40 ... 85 °C
Surrounding air temperature (storage)	-40 ... 85 °C

## Standards and specifications

Standards/Specifications	EN 61810-1
--------------------------	------------

## Commercial data

Product Group	6 (Interface Electronics)
PU (SPU)	20 Each
Packaging type	box
Country of origin	DE
GTIN	4050821867807
Customs tariff number	85364900990

## Optional accessories

### Sockets

Socket without relay
----------------------

Subject to changes. Please also observe the further product documentation!



Item no.: 788-100

Relay socket; 1 changeover contact; for 15 mm basic relays; gray

[www.wago.com/788-100](http://www.wago.com/788-100)

## Downloads

### Documentation

#### Bid Text

788-162 X81 - Datei	2019. 2. 19.	xml 3.6 kB	Download
------------------------	--------------	---------------	----------

788-162 docx - Datei	2019. 2. 20.	docx 15.6 kB	Download
-------------------------	--------------	-----------------	----------

#### Additional Information

Disposal; Electrical and electronic equipment, Packaging	V 1.0.0	pdf 265.8 kB	Download
--	---------	-----------------	----------

## CAD/CAE-Data

### CAE data

WSCAD Universe 788-162		URL	Download
------------------------	--	-----	----------

## Environmental Product Compliance

### Compliance Search

Environmental Product Compliance 788-162		URL	Download
--	--	-----	----------

Basic relay; Nominal input voltage: 60 VDC; 1 changeover contact; Limiting continuous current: 16 A; Module width: 13 mm; Module height: 15 mm

## Installation Notes

Subject to changes. Please also observe the further product documentation!